

# Cable feed-through plates - MH-25-MULTI-65-PV-BK - 1424582

Please be informed that the data shown in this PDF Document is generated from our Online Catalog. Please find the complete data in the user's documentation. Our General Terms of Use for Downloads are valid (<http://phoenixcontact.com/download>)




Cable feed-through plates, no. of conductors: 25, external cable diameter: 3x 3 mm ... 6 mm, 9x 3 mm ... 7 mm, 8x 6 mm ... 9 mm, 4x 6 mm ... 12 mm, 1x 10 mm ... 20 mm, material: PP (Core), material: TPE-SEBS (external material), color: black, length: 154 mm, width: 56 mm, height: 20 mm

## Your advantages

- The panel cutouts of size B24 heavy-duty connectors can be used.



## Key Commercial Data

Packing unit	1 pc
GTIN	 4 055626 374857
GTIN	4055626374857

## Technical data

### Dimensions

Length	154 mm
Width	56 mm
Height	20 mm
Drill hole distance, horizontal	130 mm
Drill hole distance, vertical	32 mm
External cable diameter	3x 3 mm ... 6 mm
	9x 3 mm ... 7 mm
	8x 6 mm ... 9 mm
	4x 6 mm ... 12 mm
	1x 10 mm ... 20 mm

### Ambient conditions

Degree of protection	IP65
Ambient temperature (operation)	-40 °C ... 90 °C

### General

# Cable feed-through plates - MH-25-MULTI-65-PV-BK - 1424582

## Technical data

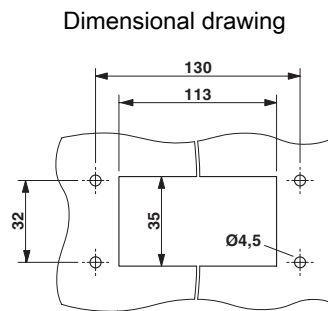
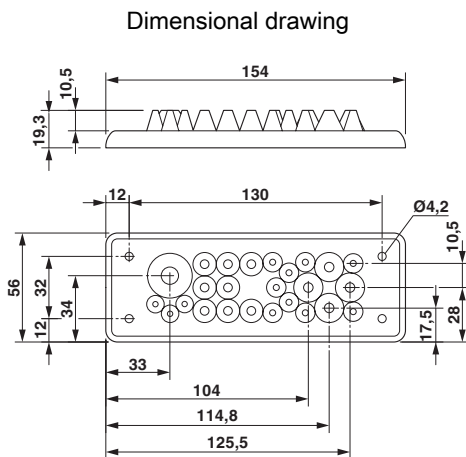
### General

Note	incl. mounting screws
No. of conductors	25
Tightening torque	1.8 Nm
Material	TPE-SEBS
	PP (Core)
	TPE-SEBS (external material)
Flammability rating according to UL 94	V0
Color	black
Assembly note	M4 mounting screw, torque: 1.8 Nm, SW5 Allen key
	The mounting screws included should be used for assembly.  Assembly steps: 1) Fix Multigates with the mounting screws provided (observe torque) 2) Make a hole in the membrane (with a screwdriver) or cut off the tip of the cone 3) Guide the cable through the opening (from the outside). Withdraw the cable approximately 20 mm (to improve strain relief).

### Environmental Product Compliance

China RoHS	Environmentally friendly use period: unlimited = EFUP-e
	No hazardous substances above threshold values

## Drawings



Wall cutout drawing

Dimensional drawing

## Classifications

eCl@ss

eCl@ss 10.0.1	27400569
eCl@ss 11.0	27400569
eCl@ss 5.1	23110102

# Cable feed-through plates - MH-25-MULTI-65-PV-BK - 1424582

## Classifications

### eCl@ss

eCl@ss 6.0	27409200
eCl@ss 7.0	27409208
eCl@ss 9.0	27400569

### ETIM

ETIM 6.0	EC001004
ETIM 7.0	EC001004

### UNSPSC

UNSPSC 21.0	31163000
-------------	----------

## Approvals

### Approvals

---

#### Approvals

EAC-RoHS / EAC

---

#### Ex Approvals

---

### Approval details

EAC-RoHS		RU D- DE.HB35.B.00387
----------	--	--------------------------

EAC		EAC-Zulassung
-----	--	---------------

---

Phoenix Contact 2022 © - all rights reserved  
<http://www.phoenixcontact.com>

PHOENIX CONTACT GmbH & Co. KG  
Flachmarktstr. 8  
32825 Blomberg  
Germany  
Tel. +49 5235 300  
Fax +49 5235 3 41200  
<http://www.phoenixcontact.com>

单击下面可查看定价，库存，交付和生命周期等信息

[>>Phoenix Contact\(菲尼克斯\)](#)