

Differential current monitoring - RCM-B/50/85-264V - 2806210

Please be informed that the data shown in this PDF Document is generated from our Online Catalog. Please find the complete data in the user's documentation. Our General Terms of Use for Downloads are valid (<http://phoenixcontact.com/download>)



Residual current monitor in type B+ version for detecting smooth and pulsing AC and DC residual currents up to 100 kHz.

Product Features

- ✓ Residual current detection characteristics type B+ (DC up to 100 kHz)
- ✓ Detects smooth and pulsating DC and AC residual currents
- ✓ Adjustable residual response current of 30 mA to 3 A
- ✓ Adjustable pre-alarm threshold and delay time
- ✓ Actual residual current can be read via LED display
- ✓ Remote signaling for main and pre-alarm
- ✓ Residual current monitoring devices act as a form of fire prevention



Key commercial data

Packing unit	1 pc
Weight per Piece (excluding packing)	200.0 GRM
Custom tariff number	90303310
Country of origin	Germany

Technical data

Dimensions

Height	89.7 mm
Width	71.6 mm
Depth	62.2 mm
Horizontal pitch	4 Div.

Ambient conditions

Degree of protection	IP20
----------------------	------

Differential current monitoring - RCM-B/50/85-264V - 2806210

Technical data

Ambient conditions

	IP40 (distributor installation with cover)
Ambient temperature (operation)	-25 °C ... 65 °C
Ambient temperature (storage/transport)	-40 °C ... 85 °C

General

Housing material	Polycarbonate
Mounting type	DIN rail: 35 mm

Common characteristics

Nominal voltage U_N	85 V AC ... 264 V AC
Nominal frequency f_N	50 Hz (60 Hz)
Current consumption	< 6 VA
Max. required back-up fuse	16 A (B)
Rated response differential current I_{dyn}	3 A
Differential current acquisition characteristic	Type B+ (DC up to 100 kHz)
Response differential current $I_{\Delta n}$	30, 100, 300, 1000, 3000 mA (adjustable)
Discrimination threshold main alarm	80 % ... 100 % (of the set response differential current $I_{\Delta n}$)
Discrimination threshold pre-alarm	10 % ... 90 % (of the main alarm threshold, adjustable)
Response time for $2 \times I_{\Delta n}$	0.1 s ... 1 s (adjustable)
Rated surge voltage resistance U_{imp}	4 kV
Surge voltage category	III
Rated voltage U_n	230 V AC
Pollution degree	2

Connections

Connection method	Screw terminal blocks
Tightening torque	0.6 Nm
Stripping length	8 mm
Conductor cross section stranded min.	0.2 mm ²
Conductor cross section stranded max.	2.5 mm ²
Conductor cross section solid min.	0.2 mm ²
Conductor cross section solid max.	4 mm ²
Conductor cross section AWG/kcmil min.	24
Conductor cross section AWG/kcmil max	12
Min. conductor cross section, stranded, with ferrule	0.25 mm ²
Max. conductor cross section, stranded, with ferrule	2.5 mm ²

Remote indication contact

Switching function	PDT contact
--------------------	-------------

Differential current monitoring - RCM-B/50/85-264V - 2806210

Technical data

Remote indication contact

Conductor cross section stranded min.	0.2 mm ²
Conductor cross section stranded max.	2.5 mm ²
Conductor cross section solid min.	0.2 mm ²
Conductor cross section solid max.	4 mm ²
Maximum operating voltage U _{max.} AC	230 V AC
Max. operating current I _{max}	5 A (cos phi > 0.9)
Max. required back-up fuse	4 A (gL)

Standards and Regulations

Standards/specifications	DIN EN 62020
	DIN EN 60664
	DIN VDE 0664-400 2012

Classifications

eCl@ss

eCl@ss 4.0	27371105
eCl@ss 4.1	27371105
eCl@ss 5.0	27371802
eCl@ss 5.1	27371802
eCl@ss 6.0	27371802
eCl@ss 7.0	27371802
eCl@ss 8.0	27371802

ETIM

ETIM 2.0	EC001440
ETIM 3.0	EC001440
ETIM 4.0	EC001440
ETIM 5.0	EC001440

UNSPSC

UNSPSC 6.01	30211916
UNSPSC 7.0901	39121535
UNSPSC 11	39121535
UNSPSC 12.01	39121535
UNSPSC 13.2	39121535

Differential current monitoring - RCM-B/50/85-264V - 2806210

Approvals

Approvals

Approvals

VDE Zeichengenehmigung

Ex Approvals

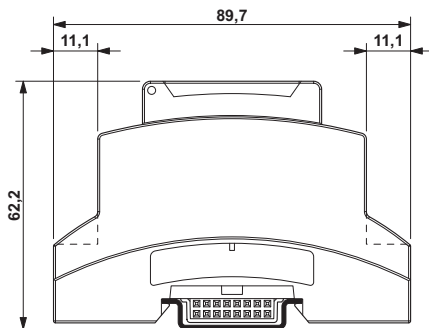
Approvals submitted

Approval details

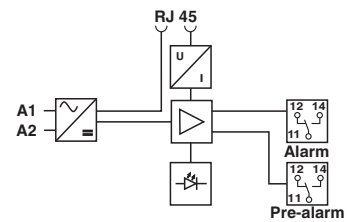
VDE Zeichengenehmigung

Drawings

Dimensioned drawing



Circuit diagram



单击下面可查看定价，库存，交付和生命周期等信息

[>>Phoenix Contact\(菲尼克斯\)](#)