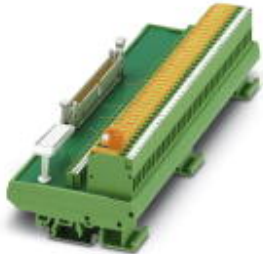


Passive module - FLKM 50/KDS3-MT/PLC - 2289531


Please be informed that the data shown in this PDF Document is generated from our Online Catalog. Please find the complete data in the user's documentation. Our General Terms of Use for Downloads are valid (<http://phoenixcontact.com/download>)



VARIOFACE interface module, for 32 channels, with knife disconnect terminal blocks and test sockets to the peripherals



Key commercial data

Packing unit	1 pc
GTIN	 4 017918 057619
Weight per Piece (excluding packing)	490.5 GRM
Custom tariff number	85369010
Country of origin	Germany

Technical data

Dimensions

Width	214 mm
Height	90 mm
Depth	61 mm

Ambient conditions

Ambient temperature (operation)	-20 °C ... 50 °C
Ambient temperature (storage/transport)	-20 °C ... 70 °C

General

Nominal voltage U_N	60 V DC
Max. current carrying capacity per branch	1 A
Max. total current of voltage supply	2 A
Number of positions	50

Passive module - FLKM 50/KDS3-MT/PLC - 2289531

Technical data

General

Status display	No
Test voltage	500 V AC (50 Hz, 1 min.)
Mounting position	any
Standards/regulations	IEC 60664
	IEC 60664 A
	DIN VDE 0110
	DIN VDE 0160 (in parts)
Pollution degree	2
Surge voltage category	II

Connection data for connection 1

Connection name	PCB connection with disconnect knife
Connection method	Screw connection with disconnect knife
Conductor cross section solid min.	0.2 mm ²
Conductor cross section solid max.	4 mm ²
Conductor cross section stranded min.	0.2 mm ²
Conductor cross section stranded max.	2.5 mm ²
Conductor cross section AWG/kcmil min.	24
Conductor cross section AWG/kcmil max	12
Stripping length	8 mm
Screw thread	M3

Classifications

eCl@ss

eCl@ss 4.0	27250313
eCl@ss 4.1	27250313
eCl@ss 5.0	27250313
eCl@ss 5.1	27250313
eCl@ss 6.0	27371601
eCl@ss 7.0	27371601
eCl@ss 8.0	27371601

ETIM

ETIM 2.0	EC001437
ETIM 3.0	EC001437
ETIM 4.0	EC001437
ETIM 5.0	EC001437

Passive module - FLKM 50/KDS3-MT/PLC - 2289531

Classifications

UNSPSC

UNSPSC 6.01	30211824
UNSPSC 7.0901	39121421
UNSPSC 11	39121421
UNSPSC 12.01	39121421
UNSPSC 13.2	39121421

Approvals

Approvals

Approvals

GOST

Ex Approvals

Approvals submitted

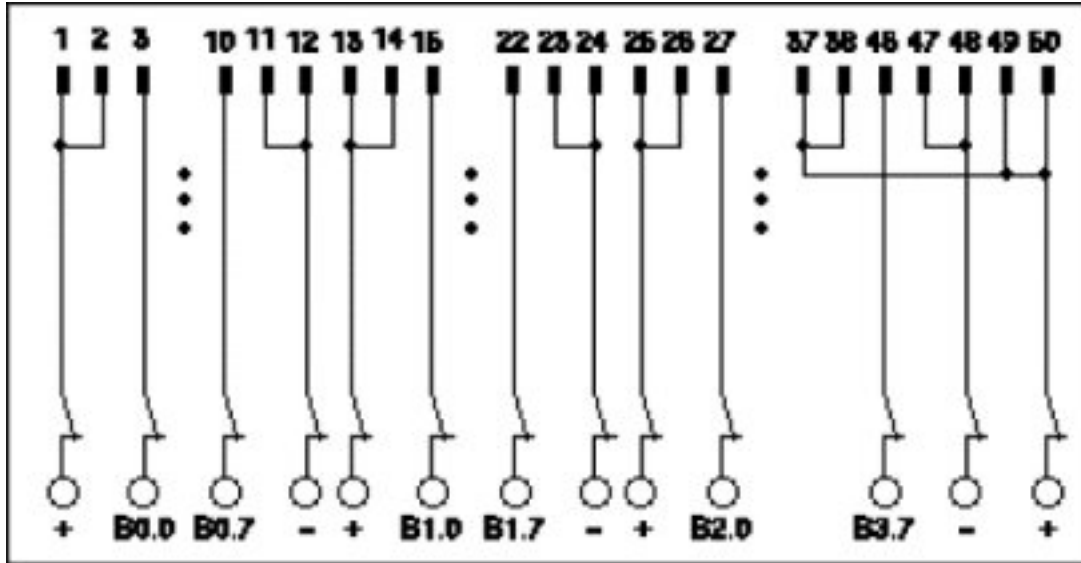
Approval details



Drawings

Passive module - FLKM 50/KDS3-MT/PLC - 2289531

Circuit diagram



单击下面可查看定价，库存，交付和生命周期等信息

[>>Phoenix Contact\(菲尼克斯\)](#)