

DIN Rail-mounted Service Outlets

DIN Rail-mounted service outlets for 120 and 250 V AC applications

INTERACE

Data Sheet
1476_en_D

© PHOENIX CONTACT 2010-07-15



1 Description

EM-DUO... outlets are fully enclosed, touchproof service outlets for mounting on NS 35 DIN rails inside today's control cabinets. Available in a wide array of variations, the EM-DUO... is able to meet the needs of most UL and non-UL panel shops.

The EM-DUO... is available with 15 and 20 A ratings with or without ground fault interrupt, surge protection and auxiliary outputs. Switch-control variants are also available.

For high-voltage applications, a 250 V AC, 15 A version is available.

All EM-DUO... outlets are UL listed and can be used in a UL panel or system. This allows the user to quickly obtain UL recognized products versus purchasing non-recognized components and waiting for UL approval.



Make sure you always use the latest documentation.
It can be downloaded at www.phoenixcontact.net/catalog.



This data sheet is valid for all products listed on the following page:

2 Ordering Data

Products

Description	Type	Order No.	Pcs./Pkt.
Dual outlet, 120 V AC, 15 A	EM-DUO 120/15	5600461	1
Dual outlet, 120 V AC, 15 A, ground fault interrupt	EM-DUO/120/15/GFI	5600462	1
Dual outlet, 120 V AC, 15 A, ground fault interrupt, auxiliary outputs	EM-DUO 120/15/GFI/AUX	5600639	1
Dual outlet, 120 V AC, 15 A, surge protected outlets	EM-DUO 120/15/SPD	5601283	1
Dual outlet, 120 V AC, 15 A, surge protected outlets, auxiliary outputs	EM-DUO 120/15/SPD/AUX	5604063	1
Dual outlet, 120 V AC, 20 A	EM-DUO 120/20	5600525	1
Dual outlet, 120 V AC, 20 A, ground fault interrupt	EM-DUO 120/20/GFI	5602519	1
Dual outlet, 120 V AC, 20 A, ground fault interrupt, auxiliary outputs	EM-DUO 120/20/GFI/AUX	5603049	1
Dual outlet, 120 V AC, 20 A, ground fault interrupt, auxiliary outputs, no sockets	EM-DUO 120/20/GFI/AUX/NO	5602192	1
Dual outlet, 120 V AC, 15 A, switch-controlled outlet	EM-DUO 120/15-SWO	5602292	1
Dual outlet, 120 V AC, 20 A, switch-controlled outlet	EM-DUO 120/20-SWO	5603890	1
Dual outlet, 120 V AC, 15 A, switch-controlled outlet, auxiliary outputs	EM-DUO 120/15/SWM	5604434	1
Dual outlet, 120 V AC, 20 A, switch-controlled outlet, auxiliary outputs	EM-DUO 120/20/SWM	5604436	1
Dual outlet, 120 V AC, 15 A, switch-controlled auxiliary outputs	EM-DUO 120/15/SWA	5604433	1
Dual outlet, 120 V AC, 20 A, switch-controlled auxiliary outputs	EM-DUO 120/20/SWA	5604435	1
Dual outlet, 120 V AC, 15A, isolated ground, orange	EM-DUO 120/20/IG	5601677	1
Dual outlet, 250 V AC, 15 A	EM-DUO 250/15	5602630	1

3 Technical Data

General Data

Color	Ivory
Housing material	PVC 94 V-0
Operating temperature	-40... 70°C
Wire size	
Outlet, maximum	10 AWG
Auxiliary	10 AWG

Electrical Data

Voltage, maximum	
EM-DUO 120/...	120 V AC
EM-DUO 250/...	250 V AC
Current	
EM-DUO 120/15...	15 A
EM-DUO 120/20...	20 A
EM-DUO 250/15...	15 A
Ground fault data (EM-DUO-120/.../GFI/... models only)	
GFI response time	25 ms @ 4-6 mA
GFI compliance	UL 943

Surge Protection Data (EM-DUO...SPD... only)

MCOV	
Rated voltage	120 V AC +10%/-15%
Nominal discharge current rating	
SCCR	
Response time	>5 ns
Protection mode	Normal and common mode
Maximum surge current	13 kA (8 x 20 μs)
Protection level	@ 500 A, 340 V @ 3 kA, 490 V
Conformance	Ⓛ 1449 3rd edition

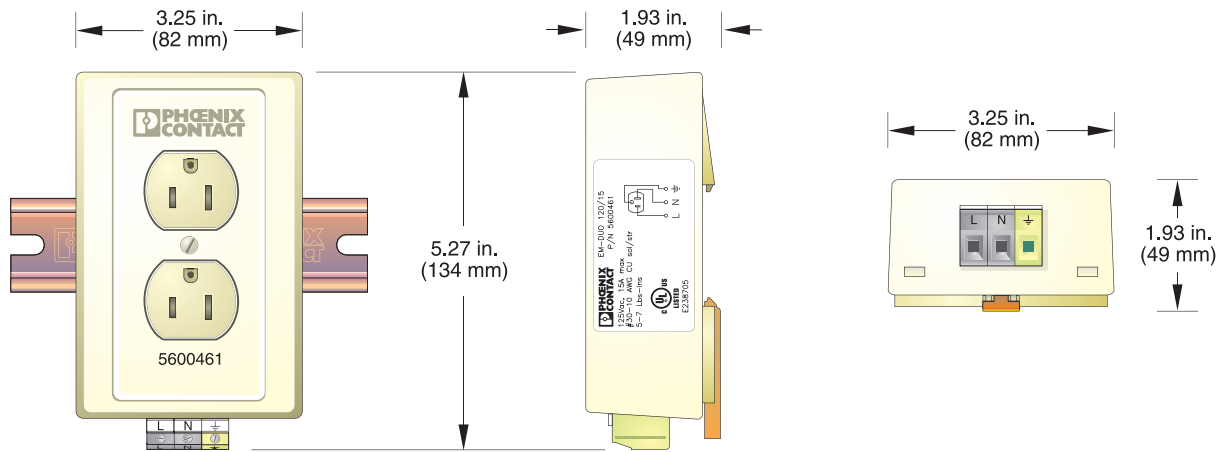


Figure 1 EM-DUO-120/... dimensions

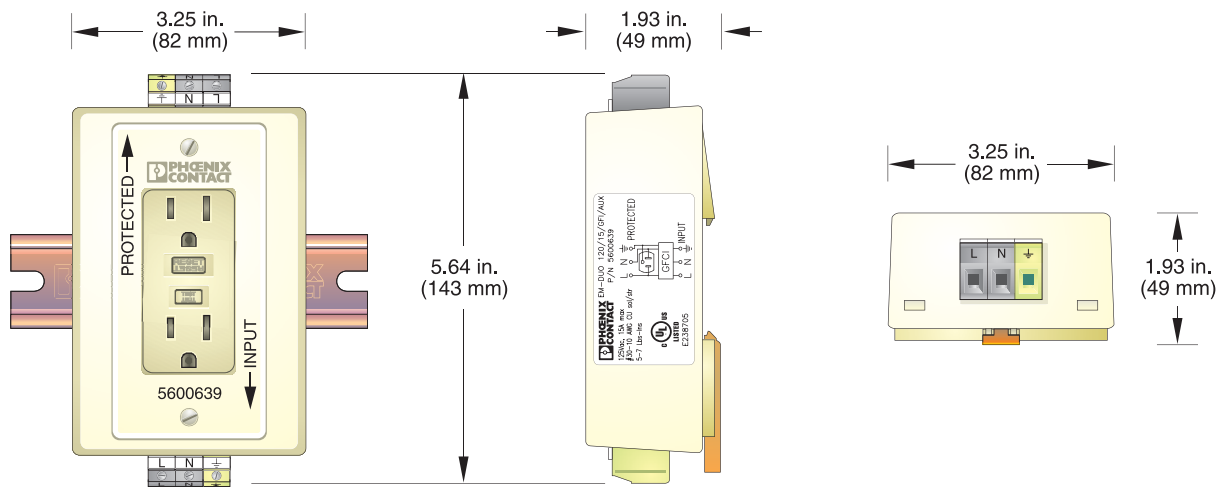


Figure 2 EM-DUO-120/.../AUX... dimensions

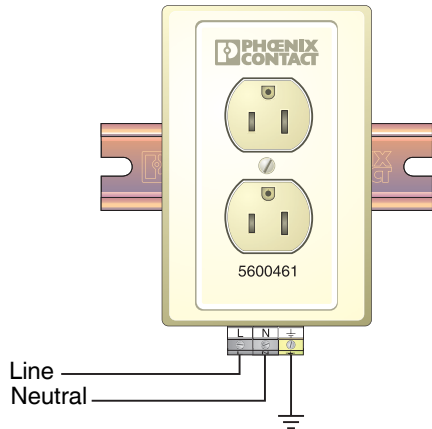


Figure 3 Wire connections

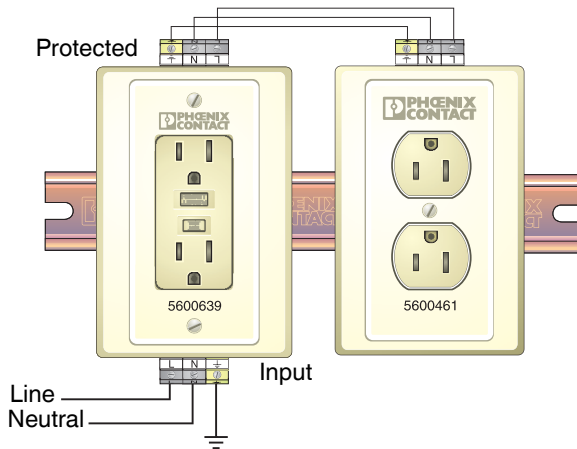


Figure 4 EM-DUO-120/15/GFI/AUX Wire connections

单击下面可查看定价，库存，交付和生命周期等信息

[>>Phoenix Contact\(菲尼克斯\)](#)