

## Rear panel feed-through - UC-0000000Q0DU - 1606053

Please be informed that the data shown in this PDF Document is generated from our Online Catalog. Please find the complete data in the user's documentation. Our General Terms of Use for Downloads are valid (<http://download.phoenixcontact.com>)



Rear panel feed-through, straight, Screw locking, M23, Axial O-ring, Central fixing, Shielded: Yes, Cable cross section: 2 mm...14.5 mm



### Key commercial data

|                                      |            |
|--------------------------------------|------------|
| Packing unit                         | 1 PCE      |
| Weight per Piece (excluding packing) | 107.11 GRM |
| Custom tariff number                 | 85366990   |
| Country of origin                    | Germany    |

### Technical data

#### General

|                           |  |
|---------------------------|--|
| Note                      | Order information Order contact inserts separately |
| Type of locking           | Screw locking                                      |
| Contact connection method | Crimp connection                                   |
| Type of contacts          | Socket   |
| Conductor entry           | 2 mm ... 14.5 mm                                   |
| Mounting type             | Central fixing                                     |

#### Ambient conditions

|                      |                   |
|----------------------|-------------------|
| Ambient temperature  | -20 °C ... 125 °C |
| Degree of protection | IP67              |

#### Material

|                            |  |
|----------------------------|--|
| Housing material           | Turned parts: copper zinc alloy (CuZn), die-cast parts: zinc (GD-Zn) |
| Gasket and O-ring material | FPM  |

#### Specifications according to DIN EN 61984:2001

|                          |        |
|--------------------------|--------|
| Installation height max. | 2000 m |
|--------------------------|--------|

# Rear panel feed-through - UC-0000000Q0DU - 1606053

## Classifications

eCl@ss

|            |          |
|------------|----------|
| eCl@ss 4.0 | 272607xx |
| eCl@ss 4.1 | 27260701 |
| eCl@ss 5.0 | 27260701 |
| eCl@ss 5.1 | 27260701 |
| eCl@ss 6.0 | 27260708 |
| eCl@ss 7.0 | 27440312 |
| eCl@ss 8.0 | 27440312 |

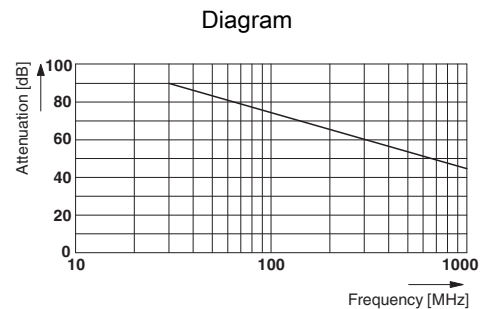
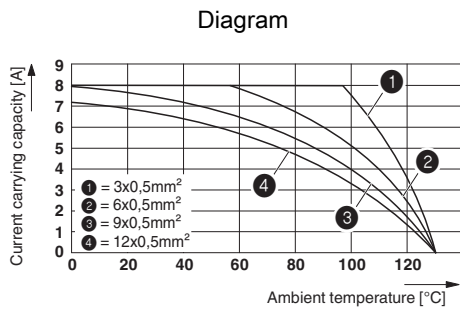
## ETIM

|          |          |
|----------|----------|
| ETIM 3.0 | EC001121 |
| ETIM 4.0 | EC001121 |
| ETIM 5.0 | EC002641 |

## UNSPSC

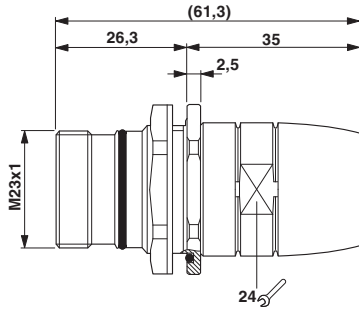
|               |          |
|---------------|----------|
| UNSPSC 6.01   | 43172015 |
| UNSPSC 7.0901 | 43201404 |
| UNSPSC 11     | 43172015 |
| UNSPSC 12.01  | 43201404 |
| UNSPSC 13.2   | 43201404 |

## Drawings

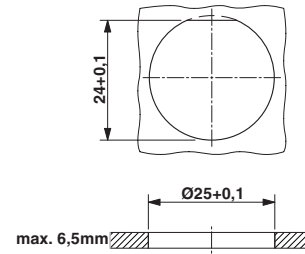


## Rear panel feed-through - UC-0000000Q0DU - 1606053

Dimensioned drawing



Dimensioned drawing



单击下面可查看定价，库存，交付和生命周期等信息

[>>Phoenix Contact\(菲尼克斯\)](#)