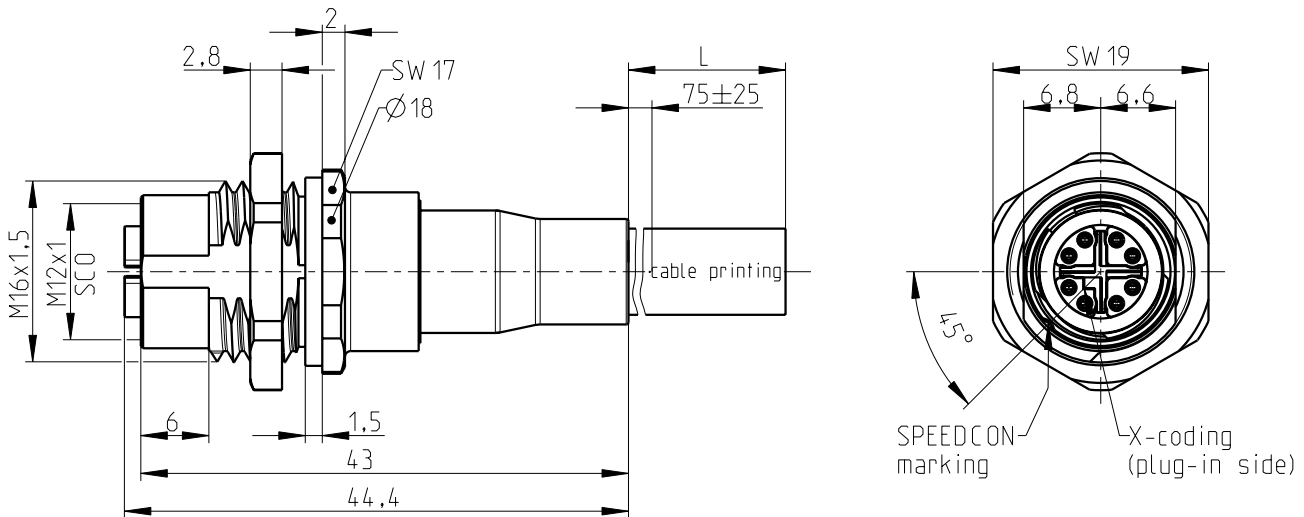


The copying, distribution and utilization of this document as well as the communication of the contents to others without expressed authorization is prohibited according to §18 UWG German Law. Offenders will be held liable for the payment of damages according to §19 UWG German Law. All rights reserved, in particular the right to carry out patent, utility model or ornamental design registrations.

Weitergabe sowie Vervielfältigung dieses Dokuments, Verwertung und Mitteilung seines Inhalts gem §18 UWG verboten, soweit nicht ausdrücklich gestattet. Zuwiderhandlungen verpflichten zu Schadensersatz (§19 UWG). Alle Rechte vorbehalten, insbesondere das Recht, Patent-, Gebrauchsmuster- oder Geschmacksmusteranmeldungen durchzuführen. CONINVERS GmbH Heisenbergstrasse 1 D-71083 Herrenberg

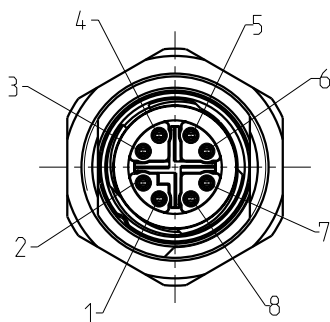
Mechanical data (according to IEC 61076-2-101)		Material	
no. of poles / coding	8 / X	housing / surface	GD-Zn / Ni
contact termination	crimp / socket	contact carrier	PPA
contact-Ø	0.6mm	colour	black
temperature range	-40 °C / +90 °C	cable	94F
protection class	IP 67	cross section	4x2xAWG26
mating cycles	>100	contacts / surface	CuZn / Au
locking system	M12 STANDARD / SPEEDCON	sealing gasket	FKM
		potting	PU 2k / UL 94 V0

further information:
 - see technical data M12-1
 - see installation recommendation M16x1,5 design DSI



All specified data refers to the mounted M12 installation plugs ≥ IP54 and requires that the connector pair be correctly plugged and locked. Influences from wires, cables or PCB mounting are also to be taken into consideration.

View of pin assignment
Plug-in side



Pin layout

pin	colour	pin	colour
1	white/orange	5	white/brown
2	orange	6	brown
3	white/green	7	white/blue
4	green	8	blue

order-no.	L (m)	cable printing
1424135	0,5	Art.-Nr. 1424135 0,5m 94F 4x2xAWG26 KW/JJ
1424148	1,0	Art.-Nr. 1424148 1,0m 94F 4x2xAWG26 KW/JJ
1424151	2,0	Art.-Nr. 1424151 2,0m 94F 4x2xAWG26 KW/JJ
1424164	5,0	Art.-Nr. 1424164 5,0m 94F 4x2xAWG26 KW/JJ

general tolerance acc. to DIN ISO 2768-c		technical changes reserved		Index 2 / 2012-01-12		scale: 3:2	
design	date	name	description: Housing with crimp contacts Rear mounting (M16x1,5)				
chk.	2011-11-02	Thumm					
			drawing-no.:		BS-K8S054/X,XXX (X,XXX=L)		
			order-no.:		see chart		
			article designation:		VS-FSBPXS-0E-94F/L (see chart)		
page: 1 of: 1							

单击下面可查看定价，库存，交付和生命周期等信息

[>>Phoenix Contact\(菲尼克斯\)](#)