

# Mains plug - PLD E 400-PS/1AC/24DC/12W - 2702435

Please be informed that the data shown in this PDF Document is generated from our Online Catalog. Please find the complete data in the user's documentation. Our General Terms of Use for Downloads are valid (<http://phoenixcontact.com/download>)

Plug-in power supply unit for class 400 LED enclosure lights, including country-specific plug adapters for Europe, Great Britain, USA and Australia; max. output voltage 12 W



## Product Description


The plug-in power supply unit is intended for supplying power to class 400 LED enclosure lights. A power supply unit and four country-specific plug adapters, e.g., for Europe, Great Britain, the USA, and Australia, are supplied as standard. By connecting the country-specific plug adapter to the power supply unit, you can adapt the plug-in power supply unit to the installation location.

## Your advantages

- ✓ High efficiency
- ✓ Minimum standby power dissipation  $\leq 0.1$  W
- ✓ IP42-tested interchangeable adapter system



## Key Commercial Data

Packing unit	1 pc
GTIN	 4 055626 184630
GTIN	4055626184630

## Technical data

### Dimensions

Width	31.5 mm
Height	75 mm
Depth	41 mm

### Ambient conditions

Degree of protection	IP42
Ambient temperature (operation)	0 °C ... 40 °C (at maximum load)
Ambient temperature (storage/transport)	-20 °C ... 70 °C
Permissible humidity (operation)	10 % ... 95 % (non-condensing)
Installation height	2000 m

# Mains plug - PLD E 400-PS/1AC/24DC/12W - 2702435

## Technical data

### Input data

Nominal input voltage range	100 V AC ... 240 V AC $\pm 10$ %
AC frequency range	50 Hz ... 60 Hz
Maximum inrush current	250 mA
Discharge current to PE	max. 200 $\mu$ A
Type of protection	Surge protection

### Output data

Nominal output voltage	24 V DC $\pm 5$ %
Residual ripple	100 mV <sub>PP</sub>
Output power	12 W
Maximum no-load power dissipation	max. 0.1 W
Type of protection	Surge protection

### Connection data, output

Cable end connection	M8 socket (Snap-in)
Connecting cable length	2 m

### General

Efficiency	$\geq 83$ %
Degree of protection	IP42
Protection class	II
Can be used as typical for the country	Australia
	Belgium
	Brazil
	China
	Denmark
	Germany
	Finland
	France
	Greece
	Great Britain
	India
	Ireland
	Italy
	Japan
	Canada
	Luxembourg
	Mexico
	Netherlands
	Norway
	Austria
	Poland

# Mains plug - PLD E 400-PS/1AC/24DC/12W - 2702435

## Technical data

### General

	Portugal
	Russia
	Sweden
	Switzerland
	Spain
	Singapore
	Turkey
	USA

### Standards and Regulations

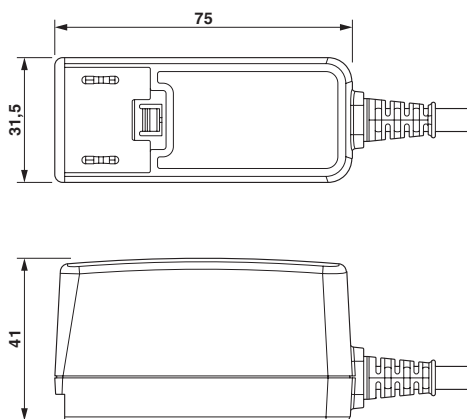
Electromagnetic compatibility	Conformance with EMC Directive 2014/30/EU
-------------------------------	---

### Environmental Product Compliance

REACH SVHC	Lead 7439-92-1
China RoHS	Environmentally Friendly Use Period = 25;
	For information on hazardous substances, refer to the manufacturer's declaration available under "Downloads"

## Drawings

Dimensional drawing



## Classifications

### eCl@ss

eCl@ss 10.0.1	27119290
eCl@ss 11.0	27111126
eCl@ss 4.0	27110700
eCl@ss 4.1	27110700
eCl@ss 5.0	27119000
eCl@ss 5.1	27119000

# Mains plug - PLD E 400-PS/1AC/24DC/12W - 2702435

## Classifications

### eCl@ss

eCl@ss 6.0	27119200
eCl@ss 7.0	27119290
eCl@ss 9.0	27119290

### ETIM

ETIM 3.0	EC000734
ETIM 4.0	EC000734
ETIM 6.0	EC002558
ETIM 7.0	EC002557

### UNSPSC

UNSPSC 6.01	43172901
UNSPSC 7.0901	43201404
UNSPSC 11	43172015
UNSPSC 12.01	43201410
UNSPSC 13.2	43201410
UNSPSC 18.0	39111541
UNSPSC 19.0	39111541
UNSPSC 20.0	39111541
UNSPSC 21.0	39111500

## Approvals

### Approvals

#### Approvals

UL Listed / cUL Listed / cULus Listed

#### Ex Approvals

### Approval details

UL Listed		<a href="http://database.ul.com/cgi-bin/XYV/template/LISEXT/1FRAME/index.htm">http://database.ul.com/cgi-bin/XYV/template/LISEXT/1FRAME/index.htm</a>	FILE E 214596
-----------	--	---	---------------

cUL Listed		<a href="http://database.ul.com/cgi-bin/XYV/template/LISEXT/1FRAME/index.htm">http://database.ul.com/cgi-bin/XYV/template/LISEXT/1FRAME/index.htm</a>	FILE E 214596
------------	--	---	---------------

## Mains plug - PLD E 400-PS/1AC/24DC/12W - 2702435

### Approvals

cULus Listed



Phoenix Contact 2022 © - all rights reserved  
<http://www.phoenixcontact.com>

PHOENIX CONTACT GmbH & Co. KG  
Flachsmarktstr. 8  
32825 Blomberg  
Germany  
Tel. +49 5235 300  
Fax +49 5235 3 41200  
<http://www.phoenixcontact.com>

单击下面可查看定价，库存，交付和生命周期等信息

[>>Phoenix Contact\(菲尼克斯\)](#)