

## Type 2 surge protection device - VAL-MS 60/FM - 2868033

Please be informed that the data shown in this PDF Document is generated from our Online Catalog. Please find the complete data in the user's documentation. Our General Terms of Use for Downloads are valid (<http://phoenixcontact.com/download>)



Surge arrester consisting of base element with remote indicator contact and protective connector with high-capacity varistor, for mounting on NS 35/7.5, 1-channel

### Product Features

- ✓ Single-channel, DIN-rail mountable protective devices
- ✓ Disconnect device on each individual plug
- ✓ Base element with/without floating remote indication contact
- ✓ Consists of base element and plug
- ✓ Mechanical coding of all slots
- ✓ Optical, mechanical status indication for the individual arresters



### Key commercial data

Packing unit	1 pc
Weight per Piece (excluding packing)	125.33 GRM
Custom tariff number	85363010
Country of origin	Germany

### Technical data

#### Dimensions

Height	97 mm
Width	17.6 mm
Depth	44 mm
Horizontal pitch	1 Div.

#### Ambient conditions

Degree of protection	IP20 (only when all terminal points are used)
----------------------	---

# Type 2 surge protection device - VAL-MS 60/FM - 2868033

## Technical data

### Ambient conditions

Ambient temperature (operation)	-40 °C ... 80 °C
Ambient temperature (storage/transport)	-40 °C ... 80 °C
Altitude	≤ 2000 m (amsl (above mean sea level))
Permissible humidity (operation)	5 % ... 95 %
Shock (operation)	25g
Vibration (operation)	5g

### General

Standards/specifications	IEC 61643-11 2011
	EN 61643-11 2012
IEC test classification	II
	T2
EN type	T2
Number of ports	One
SPD design	Voltage-limiting type
Mode of protection	L-PEN
Mounting type	DIN rail: 35 mm
Color	black
Housing material	PA 6.6
	PBT
Pollution degree	2
Inflammability class according to UL 94	V-0
Type	DIN rail module, two-section, divisible
Number of positions	1
Surge protection fault message	Optical, remote indicator contact

### Protective circuit

Nominal voltage $U_N$	60 V AC (TN)
	60 V DC
	-48 V DC (RRH)
Nominal frequency $f_N$	50 Hz (60 Hz)
Maximum continuous operating voltage $U_C$	75 V AC
	100 V DC
Rated load current $I_L$	80 A
Residual current $I_{PE}$	≤ 0.45 mA
Standby power consumption $P_C$	≤ 35 mVA
Nominal discharge current $I_n$ (8/20) $\mu$ s	15 kA
Maximum discharge current $I_{max}$ (8/20) $\mu$ s	40 kA

## Type 2 surge protection device - VAL-MS 60/FM - 2868033

### Technical data

#### Protective circuit

Short-circuit current rating $I_{SCCR}$	25 kA
Voltage protection level $U_p$	$\leq 0.55$ kV
Residual voltage $U_{res}$	$\leq 0.55$ kV (at $I_n$ )
	$\leq 0.425$ kV (at 10 kA)
	$\leq 0.325$ kV (at 5 kA)
	$\leq 0.275$ kV (at 3 kA)
TOV behavior at $U_T$	100 V AC (5 s / withstand mode)
Response time $t_A$	$\leq 25$ ns
Max. required backup fuse with branch wiring	125 A AC (gG)
	50 A DC (gG)
Max. required backup fuse with V-type through wiring	80 A AC (gG)

#### Indicator/remote signaling

Connection name	Remote fault indicator contact
Switching function	PDT contact
Operating voltage	5 V AC ... 250 V AC
	125 V AC (UL)
	30 V DC
Operating current	5 mA AC ... 1 A AC
	1 A AC (UL)
	1 A DC
Connection method	Screw connection
Screw thread	M2
Tightening torque	0.25 Nm
	4 lb <sub>f</sub> -in. (UL)
Stripping length	7 mm
Conductor cross section stranded min.	0.14 mm <sup>2</sup>
Conductor cross section stranded max.	1.5 mm <sup>2</sup>
Conductor cross section solid min.	0.14 mm <sup>2</sup>
Conductor cross section solid max.	1.5 mm <sup>2</sup>
AWG conductor cross section	28 ... 16
	30 ... 14 (UL)

#### Connection data

Connection method	Screw connection
Conductor cross section stranded min.	1.5 mm <sup>2</sup>
Conductor cross section stranded max.	25 mm <sup>2</sup>
Conductor cross section solid min.	1.5 mm <sup>2</sup>

## Type 2 surge protection device - VAL-MS 60/FM - 2868033

### Technical data

#### Connection data

Conductor cross section solid max.	35 mm <sup>2</sup>
AWG conductor cross section	15 ... 2
	10 ... 2 (UL)
Screw thread	M5
Tightening torque	4.5 Nm
	30 lb <sub>F</sub> -in. (UL)
Stripping length	16 mm

#### NEMA/UL protective circuit

UL class	Type 4 SPD for Type 2 applications
Maximum continuous operating voltage MCOV (L-N)	75 V AC
Maximum continuous operating voltage MCOV (L+) - (L-)	100 V DC
Maximum continuous operating voltage MCOV (L+/L-) - G	100 V DC
Nominal voltage U <sub>N</sub>	60 V AC
Nominal voltage	60 V DC
Mode of protection	L-N
	(L+) - (L-)
	(L+/L-) - G
Power distribution system	1
Nominal frequency	50/60 Hz
Voltage protection rating VPR (L-N)	0.5 kV
Voltage protection rating VPR (L+) - (L-)	0.33 kV
Voltage protection rating VPR (L+/L-) -G	0.33 kV
Nominal discharge current I <sub>n</sub> (L-N)	10 kA
Nominal discharge current I <sub>n</sub> (L+) - (L-)	10 kA
Nominal discharge current I <sub>n</sub> (L+/L-) - G	10 kA

### Classifications

#### eCl@ss

eCl@ss 4.0	27140201
eCl@ss 4.1	27130801
eCl@ss 5.0	27130801
eCl@ss 5.1	27130801
eCl@ss 6.0	27130805
eCl@ss 7.0	27130805

# Type 2 surge protection device - VAL-MS 60/FM - 2868033

## Classifications

### ETIM

ETIM 2.0	EC000941
ETIM 3.0	EC000941
ETIM 4.0	EC000941
ETIM 5.0	EC000941

### UNSPSC

UNSPSC 6.01	30212010
UNSPSC 7.0901	39121610
UNSPSC 11	39121610
UNSPSC 12.01	39121610
UNSPSC 13.2	39121620

## Approvals

### Approvals

---

#### Approvals

UL Recognized / KEMA-KEUR / cUL Recognized / GOST / KEMA-KEUR / CSA / ÖVE / CCA / IECCE CB Scheme / cULus Recognized

---

#### Ex Approvals

---

#### Approvals submitted

---

## Approval details

UL Recognized

KEMA-KEUR

cUL Recognized

# Type 2 surge protection device - VAL-MS 60/FM - 2868033

## Approvals

GOST

KEMA-KEUR

CSA

ÖVE

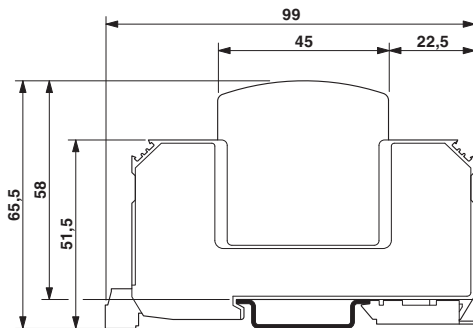
CCA

IECEE CB Scheme

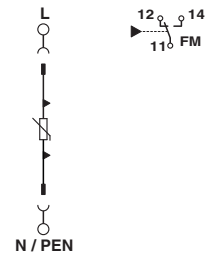
cULus Recognized

## Drawings

Dimensioned drawing



Circuit diagram





单击下面可查看定价，库存，交付和生命周期等信息

[>>Phoenix Contact\(菲尼克斯\)](#)