

## Sensor/actuator box - SACB-8/16-L-C SCO OTB - 1437232

Please be informed that the data shown in this PDF Document is generated from our Online Catalog. Please find the complete data in the user's documentation. Our General Terms of Use for Downloads are valid (<http://download.phoenixcontact.com>)

Sensor/actuator box, Connection method: M12-SPEEDCON-socket Metal, Number of slots: 8, Number of positions: 5, Slot assignment: Double, Status indication: Yes, pnp; Master cable connection: Pluggable spring-cage connection 270°, Shielding: No



The figure shows the top and bottom side of the article

### Product Features

- ✓ Safety in the field, thanks to molded housing and high degree of protection
- ✓ Flexible, distributed bundling of signals in one master cable
- ✓ Convenient: increased machine availability thanks to quick and easy diagnostics
- ✓ Save space: distributor box with double occupancy for two sensors in one slot
- ✓ Save time, thanks to installation with SPEEDCON fast locking system
- ✓ Easy PLC system cabling, thanks to master connection on the back



### Key commercial data

|                                      |           |
|--------------------------------------|-----------|
| Packing unit                         | 1 PCE     |
| Weight per Piece (excluding packing) | 360.0 GRM |
| Custom tariff number                 | 85444290  |
| Country of origin                    | Poland    |

### Technical data

#### General

|  |         |
|--|---------|
| Rated voltage                            | 24 V DC |
| Max. operating voltage $U_{max}$         | 30 V DC |
| Current carrying capacity per I/O signal | 2 A     |
| Current carrying capacity per slot       | 4 A     |
| Total rated current                      | 8 A     |
| Number of positions                      | 5       |
| Number of slots                          | 8       |

# Sensor/actuator box - SACB-8/16-L-C SCO OTB - 1437232

## Technical data

### General

|                                   |                     |
|-----------------------------------|---------------------|
| Sensor/actuator connection system | M12-SPEEDCON-socket |
|-----------------------------------|---------------------|

### Ambient conditions

|   |                                   |
|---|-----------------------------------|
| Degree of protection                    | IP54 (With sealed mounting holes) |
| Ambient temperature (operation)         | -30 °C ... 80 °C                  |
| Ambient temperature (storage/transport) | -30 °C ... 90 °C                  |

### Local diagnostics function

|                   |                               |
|-------------------|-------------------------------|
| Local diagnostics | Supply voltage Green LED      |
|                   | Status display I/O Yellow LED |

### Master cable data/connection data

|  |                                  |
|--|----------------------------------|
| Connection method                            | Pluggable spring-cage connection |
| Conductor cross section min. (signal)        | 0.14 mm <sup>2</sup>             |
| Conductor cross section max. (signal)        | 1.5 mm <sup>2</sup>              |
| Conductor cross section AWG min. (signal)    | 26                               |
| Conductor cross section AWG max. (signal)    | 16                               |
| Stripping length (signal)                    | 9 mm                             |
| Conductor cross section min. (energy)        | 0.14 mm <sup>2</sup>             |
| Conductor cross section max. (energy)        | 1.5 mm <sup>2</sup>              |
| Conductor cross section AWG min. (energy)    | 26                               |
| Conductor cross section AWG max. (energy)    | 16                               |
| Tightening torque slot sensor/actuator cable | 0.4 Nm                           |

### Insulation material

|  |                              |
|--|------------------------------|
| Housing material   | PBT                          |
| Material of the moulding mass                            | PUR                          |
| Contact material   | Cu alloy                     |
| Contact surface material                                 | Gold-plated                  |
| Contact carrier material                                 | PA                           |
| Material of contact, master cable side                   | CU alloy                     |
| Material of contact surface, master cable side           | tin-plated                   |
| Material of the contact carrier on the master cable side | PA                           |
| Material of threaded sleeve                              | Zinc die-cast                |
| Material of threaded sleeve surface                      | Nickel-plated                |
| Material, O-ring   | NBR                          |
| Sealing material   | CR (flat gasket on the back) |

### Pin assignment

|  |                   |
|--|-------------------|
| Slot/position = Wire color or connection | 1 / 4 (A) = 1 / 4 |
|--|-------------------|

## Sensor/actuator box - SACB-8/16-L-C SCO OTB - 1437232

### Technical data

#### Pin assignment

|  |                                   |
|--|-----------------------------------|
|  | 1 / 2 (B) = 1 / 2                 |
|  | 2 / 4 (A) = 2 / 4                 |
|  | 2 / 2 (B) = 2 / 2                 |
|  | 3 / 4 (A) = 3 / 4                 |
|  | 3 / 2 (B) = 3 / 2                 |
|  | 4 / 4 (A) = 4 / 4                 |
|  | 4 / 2 (B) = 4 / 2                 |
|  | 5 / 4 (A) = 5 / 4                 |
|  | 5 / 2 (B) = 5 / 2                 |
|  | 6 / 4 (A) = 6 / 4                 |
|  | 6 / 2 (B) = 6 / 2                 |
|  | 7 / 4 (A) = 7 / 4                 |
|  | 7 / 2 (B) = 7 / 2                 |
|  | 8 / 4 (A) = 8 / 4                 |
|  | 8 / 2 (B) = 8 / 2                 |
|  | 1-8 / 1 (+ 24 V) = U <sub>N</sub> |
|  | 1-8 / 3 (0 V) = 0 V               |

### Classifications

#### eCl@ss

|            |          |
|------------|----------|
| eCl@ss 4.0 | 27250313 |
| eCl@ss 4.1 | 27250313 |
| eCl@ss 5.0 | 27143423 |
| eCl@ss 5.1 | 27143423 |
| eCl@ss 6.0 | 27143423 |
| eCl@ss 7.0 | 27449001 |
| eCl@ss 8.0 | 27279219 |

#### ETIM

|          |          |
|----------|----------|
| ETIM 3.0 | EC001856 |
| ETIM 4.0 | EC002585 |
| ETIM 5.0 | EC002585 |

#### UNSPSC

|               |          |
|---------------|----------|
| UNSPSC 6.01   | 31261501 |
| UNSPSC 7.0901 | 31261501 |
| UNSPSC 11     | 31261501 |

# Sensor/actuator box - SACB-8/16-L-C SCO OTB - 1437232

## Classifications

### UNSPSC

|              |          |
|--------------|----------|
| UNSPSC 12.01 | 31261501 |
| UNSPSC 13.2  | 31261501 |

## Approvals

### Approvals

---

### Approvals

GOST

---

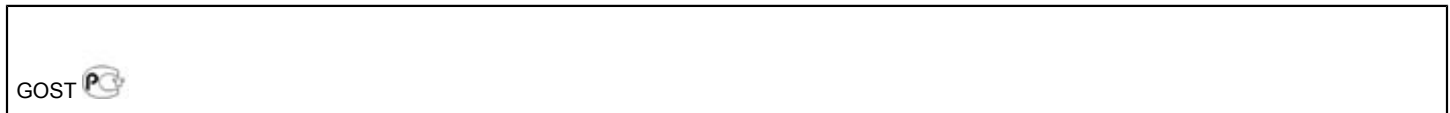
### Ex Approvals

---

### Approvals submitted

---

## Approval details



## Accessories

### Accessories

### Device marking

Contactora marker – zack marker strip - SS-ZB 17,5 WH - 0804963



Contactora marker – zack marker strip, Strip, white, Unlabeled, Can be labeled with: Plotter, Mounting type: Snap into flat marker groove, Lettering field: 17.5 x 8 mm

## Sensor/actuator box - SACB-8/16-L-C SCO OTB - 1437232

### Accessories

Contact marker – zack marker strip - SS-ZB 17,5 YE - 0804976



Contact marker – zack marker strip, Strip, yellow, Unlabeled, Can be labeled with: Plotter, Mounting type: Snap into flat marker groove, Lettering field: 17.5 x 8 mm

---

### Labeled device marker

Contact marker – zack marker strip - SS-ZB 17,5 WH CUS - 0824468



Contact marker – zack marker strip, Can be ordered: Strip, white, Labeled according to customer specifications, Mounting type: Snap into flat marker groove, Lettering field: 17.5 x 8 mm

---

Contact marker – zack marker strip - SS-ZB 17,5 YE CUS - 0824469



Contact marker – zack marker strip, Can be ordered: Strip, yellow, Labeled according to customer specifications, Mounting type: Snap into flat marker groove, Lettering field: 17.5 x 8 mm

---

### Protective cap

Screw plug - PROT-MS SCO - 1553129



M12 screw plug with SPEEDCON quick locking for unoccupied M12 sockets of the sensor/actuator cables, boxes and flush-type connectors

---

### Screwdriver tools

## Sensor/actuator box - SACB-8/16-L-C SCO OTB - 1437232

### Accessories

Tool - SAC BIT M12-D15 - 1208432



Nut for assembling sensor/actuator cables with M12 connector and for M12 connectors with QUICKON fast connection technology, for 4 mm hexagonal drive

---

Tool - SACC BIT M12-D20 - 1208445



Nut for assembling SACC M12 connectors for free assembly, excluding M12 connectors with QUICKON fast connection technology, for 4 mm hexagonal drive

---

Adapter insert - TSD-M SAC-BIT ADAPTER - 1212600



Adapter bit for TSD-M...torque tools, E6.3-1/4" drive with 4 mm hexagon to accommodate SAC bits

---

Screwdriver - SZF 1-0,6X3,5 - 1204517



Actuation tool, for ST terminal blocks, also suitable for use as a bladed screwdriver, size: 0.6 x 3.5 x 100 mm, 2-component grip, with non-slip grip

---

### Torque tool

Torque screwdriver - TSD 04 SAC - 1208429



Torque screwdriver, with preset torque of 0.4 Nm and 4 mm hexagonal drive for M12 connectors

---

# Sensor/actuator box - SACB-8/16-L-C SCO OTB - 1437232

## Accessories

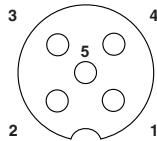
Torque screwdriver - TSD-M 1,2NM - 1212224



Torque screw driver, accuracy as per EN ISO 6789 standard, adjustable from 0.3 - 1.2 Nm

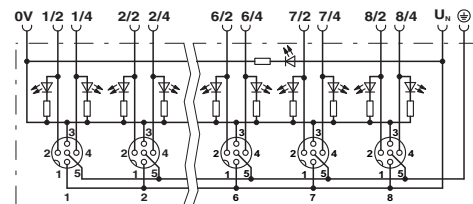
## Drawings

Schematic diagram

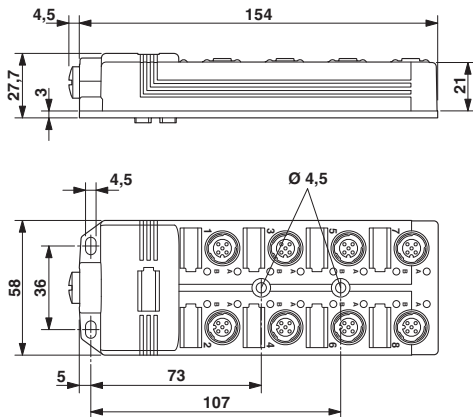


Pin assignment M12 socket, 5-pos.

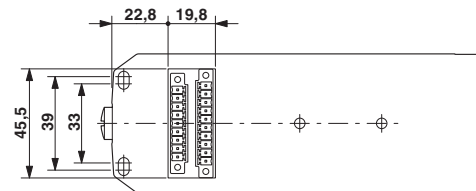
Circuit diagram



Dimensioned drawing



Dimensioned drawing



单击下面可查看定价，库存，交付和生命周期等信息

[>>Phoenix Contact\(菲尼克斯\)](#)