

# Sensor/actuator cable - SAC-5P-10,0-680/M12FR FDP



1095823

<https://www.phoenixcontact.com/us/products/1095823>

Please be informed that the data shown in this PDF document is generated from our Online Catalog. Please find the complete data in the user documentation. Our General Terms of Use for Downloads are valid.



Sensor/actuator cable, 5-position, PVC, gray, shielded, free cable end, on Socket angled M12, coding: A, cable length: 10 m, Foil shielding plus drain wire

## Commercial Data

Item number	1095823
Packing unit	1 pc
Note	Made to Order (non-returnable)
Sales Key	B22
Product Key	BF1IEC
GTIN	4055626927749
Weight per Piece (including packing)	22.22 g
Weight per Piece (excluding packing)	22.22 g
Country of origin	US

## Technical Data

### Product properties

Product type	Sensor/actuator cable
Number of positions	5
Application	Standard, U.S. cables
No. of cable outlets	1
Shielded	yes
Coding	A - standard

### Insulation characteristics

Overvoltage category	II
Degree of pollution	3

### Material specifications

Flammability rating according to UL 94	HB
Sealing material	NBR
Material of grip body	TPU, hardly inflammable, self-extinguishing
Contact material	CuSn
Contact surface material	Ni/Au
Contact carrier material	TPU GF
Cable gland material	Zinc die-cast, nickel-plated

### Electrical properties

Contact resistance	$\leq 5 \text{ m}\Omega$
Insulation resistance	$\geq 100 \text{ M}\Omega$
Nominal voltage $U_N$	48 V AC
	60 V DC
Nominal current $I_N$	4 A
Protective circuit	unwired

### LED signaling

Status display	No
Status display present	No

### Connection data

#### Conductor connection

Tightening torque	0.4 Nm (M12 connector)
-------------------	------------------------

### Connector

Insertion/withdrawal cycles	$\geq 100$
-----------------------------	------------

#### Connection 1

Head design	free cable end
-------------	----------------

# Sensor/actuator cable - SAC-5P-10,0-680/M12FR FDP



1095823

<https://www.phoenixcontact.com/us/products/1095823>

## Connection 2

Head design	Socket
Head cable outlet	angled
Head thread type	M12
Coding	A

## Cable / line

Cable length	10 m
Cable weight	45.42 kg/km
UL AWM Style	2517 (105 °C / 300 V)
Number of positions	4
Shielded	yes
Cable type	PVC, gray, 105°C [680]
AWG signal line	22
Wire diameter incl. insulation	1.27 mm ±0.03 mm
External cable diameter	5.08 mm ±0.2 mm
Outer sheath, material	PVC
External sheath, color	gray
Conductor material	Tin-plated Cu litz wires
Material wire insulation	PVC (Signal line)
Single wire, color	brown, white, blue, black
Type of pair shielding	Plastic-coated aluminum foil, aluminum side inside
Overall twist	Conductors, fillers, and drain wire are twisted with left-hand lay
Max. conductor resistance	max. 51.1 Ω/km (20 °C)
Insulation resistance	≥ (550 M Ohms/m @ 500V)
Nominal voltage, cable	300 V
Minimum bending radius, flexible installation	8 x D
Flame resistance	FT4
Other resistance	UV resistant
Special properties	UL standards PLTC and ITC
Ambient temperature (operation)	-30 °C ... 105 °C (cable, fixed installation)
Ambient temperature (operation)	-40 °C ... 80 °C (cable, fixed installation)
Ambient temperature (operation)	-5 °C ... 80 °C (Cable, flexible installation)

## Ambient conditions

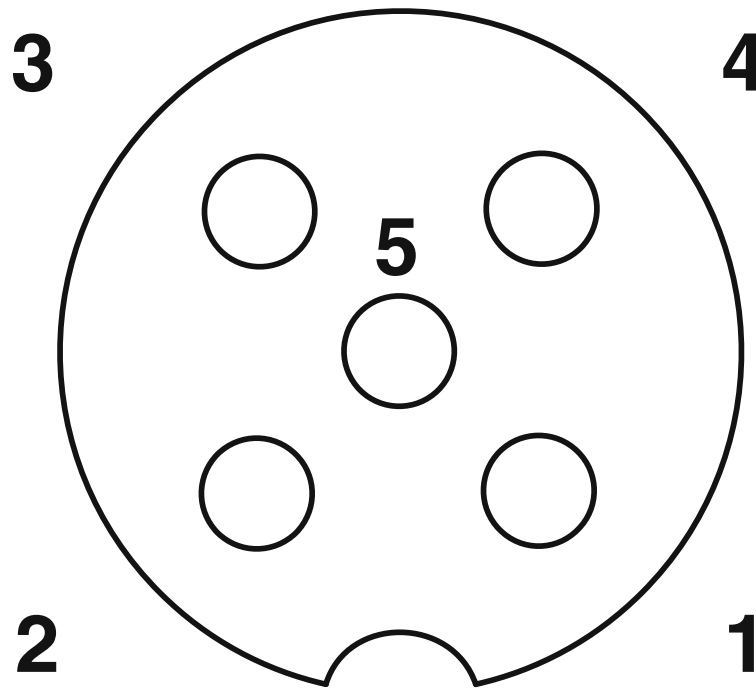
Degree of protection	IP65
	IP67
	IP68
Ambient temperature (operation)	-25 °C ... 90 °C (Plug / socket)
	-40 °C ... 80 °C (cable, fixed installation)
	-5 °C ... 80 °C (Cable, flexible installation)

## Standards and regulations

Standards/specifications	IEC 61076-2-101
--------------------------	-----------------

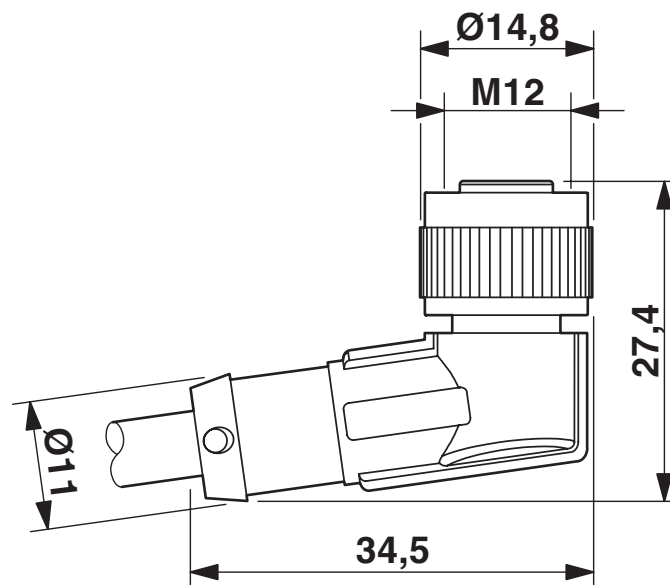
Drawings

Schematic diagram



Pin assignment M12 socket, 5-pos., A-coded, female side

Dimensional drawing



M12 x 1 socket, angled

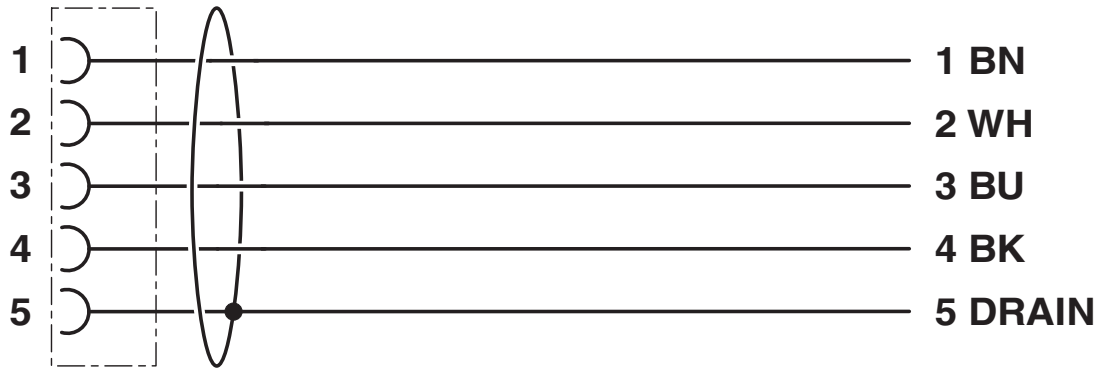
# Sensor/actuator cable - SAC-5P-10,0-680/M12FR FDP



1095823

<https://www.phoenixcontact.com/us/products/1095823>

Circuit diagram




# Sensor/actuator cable - SAC-5P-10,0-680/M12FR FDP



1095823

<https://www.phoenixcontact.com/us/products/1095823>

## Approvals

 <b>UL Listed</b> Approval ID: FILE E 221474				
	Nominal Voltage $U_N$	Nominal Current $I_N$	Cross Section AWG	Cross Section $\text{mm}^2$
	125 V	4 A	-	-

 <b>cUL Listed</b> Approval ID: FILE E 221474				
	Nominal Voltage $U_N$	Nominal Current $I_N$	Cross Section AWG	Cross Section $\text{mm}^2$
	125 V	4 A	-	-

**cULus Listed**

# Sensor/actuator cable - SAC-5P-10,0-680/M12FR FDP



1095823

<https://www.phoenixcontact.com/us/products/1095823>

## Classifications

### ECLASS

ECLASS-9.0	27060311
ECLASS-10.0.1	27060311
ECLASS-11.0	27060311

### UNSPSC

UNSPSC 21.0	31251501
-------------	----------

1095823

<https://www.phoenixcontact.com/us/products/1095823>

## Accessories

### Sealing cap

Sealing cap - PROT-M12 FS-PA-CHAIN - 1430873

<https://www.phoenixcontact.com/us/products/1430873>

M12 sealing cap made of plastic with fixing band, for sensor cables, for free M12 plugs



---

### Locking clip

Locking clip - SAC-M12-EXCLIP-M - 1558988

<https://www.phoenixcontact.com/us/products/1558988>

Locking clip for the pin side of sensor/actuator cables with M12 connector and M12 connectors for assembly, for knurl diameter: 15 mm or for Allen key with a wrench size of 14 mm, prevents the disconnection of plug-in connections without tools





# Sensor/actuator cable - SAC-5P-10,0-680/M12FR FDP



1095823

<https://www.phoenixcontact.com/us/products/1095823>

## Screw plug

Screw plug - PROT-M12 MS-PA-CHAIN - 1430899

<https://www.phoenixcontact.com/us/products/1430899>

M12 sealing cap with fixing band, for sensor cables, for free M12 sockets



---

## Locking clip

Locking clip - SAC-M12-EXCLIP-F - 1558991

<https://www.phoenixcontact.com/us/products/1558991>

Locking clip for the socket side of sensor/actuator cables with M12 connector and M12 connectors for assembly, for knurl diameter: 15 mm or for Allen key with a wrench size of 14 mm, prevents the disconnection of plug-in connections without tools



1095823

<https://www.phoenixcontact.com/us/products/1095823>

## Torque screwdriver

Torque screwdriver - TSD 04 SAC - 1208429

<https://www.phoenixcontact.com/us/products/1208429>



Torque screwdriver, with preset torque of 0.4 Nm and 4 mm hexagonal drive for M12 connectors

---

## Torque screwdriver

Torque screwdriver - TSD-M 1,2NM - 1212224

<https://www.phoenixcontact.com/us/products/1212224>



Torque screw driver, accuracy as per EN ISO 6789 standard, adjustable from 0.3 - 1.2 Nm

# Sensor/actuator cable - SAC-5P-10,0-680/M12FR FDP



1095823

<https://www.phoenixcontact.com/us/products/1095823>

## Adapter insert

Adapter insert - TSD-M SAC-BIT ADAPTER - 1212600

<https://www.phoenixcontact.com/us/products/1212600>



Adapter bit for TSD-M...torque tools, E6.3-1/4" drive with 4 mm hexagon to accommodate SAC bits

---

## Tool

Tool - SAC BIT M12-D15 - 1208432

<https://www.phoenixcontact.com/us/products/1208432>



Nut for assembling sensor/actuator cables with M12 connector and M12 connectors for assembly, with a knurl diameter of 15 mm, for 4 mm hexagonal drive

---

Phoenix Contact 2022 © - all rights reserved  
<https://www.phoenixcontact.com>

Phoenix Contact USA  
586 Fulling Mill Road  
Middletown, PA 17057, United States  
(+717) 944-1300  
[info@phoenixcon.com](mailto:info@phoenixcon.com)

单击下面可查看定价，库存，交付和生命周期等信息

[>>Phoenix Contact \(菲尼克斯\)](#)