

# Antenna - RAD-ISM-2400-ANT-OMNI-2-1-RSMA - 2701362

Please be informed that the data shown in this PDF Document is generated from our Online Catalog. Please find the complete data in the user's documentation. Our General Terms of Use for Downloads are valid (<http://phoenixcontact.com/download>)



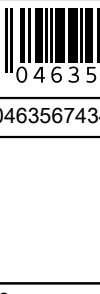
Omnidirectional antenna, 2.4 GHz, gain: 2 dBi, polarization: linear, opening angle: h/v 360°/75°, degree of protection: IP65, connection: RSMA (male), incl. 1.5 m / 5 ft. connecting cable and mounting bracket for wall mounting

## Your advantages

- For freely mobile applications
- For multipoint or mesh connections
- Easy panel mounting



## Key Commercial Data

Packing unit	1 pc
GTIN	 4 046356 743471
GTIN	4046356743471

## Technical data

### Dimensions

Width	7.8 mm
Height	82.5 mm
Fixed cable length	1.50 m
External cable diameter	2.50 mm

### Ambient conditions

Degree of protection	IP65
Ambient temperature (operation)	-20 °C ... 65 °C
Ambient temperature (storage/transport)	-30 °C ... 75 °C

### General

With connecting cable	yes
Frequency range	2.4 GHz ... 2.5 GHz
Horizontal beamwidth	360 °

# Antenna - RAD-ISM-2400-ANT-OMNI-2-1-RSMA - 2701362

## Technical data

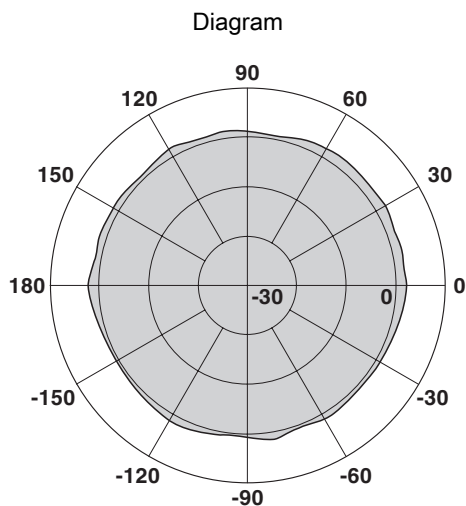
### General

Vertical beamwidth	75 °
Polarization	Linear vertical
Impedance	50 Ω
Gain	2 dBi
Connection method	RSMA (male)
Fixed cable length	1.50 m
Smallest bending radius, fixed installation	25.4 mm
Cable, attenuation	2 dB
Material	Polyurethane (Antenna housing)
	Polycarbonate PC (Antenna foot)
	V2A (Bracket)
Mounting type	Wall mounting
External cable diameter	2.50 mm
Outer sheath, material	Fluorinated ethylene propylene (FEP)

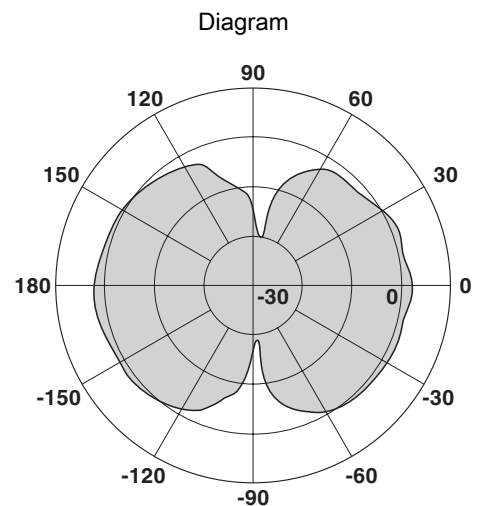
### Environmental Product Compliance

REACH SVHC	Lead 7439-92-1
China RoHS	Environmentally Friendly Use Period = 25;
	For information on hazardous substances, refer to the manufacturer's declaration available under "Downloads"

## Drawings



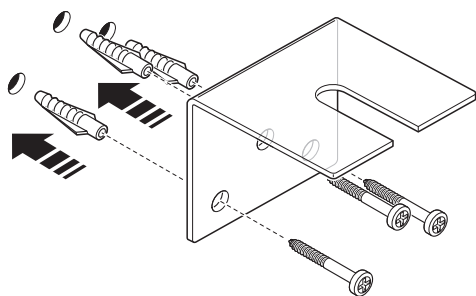
Horizontal



Vertical

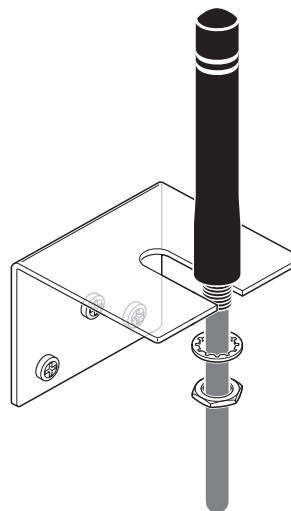
# Antenna - RAD-ISM-2400-ANT-OMNI-2-1-RSMA - 2701362

Schematic diagram



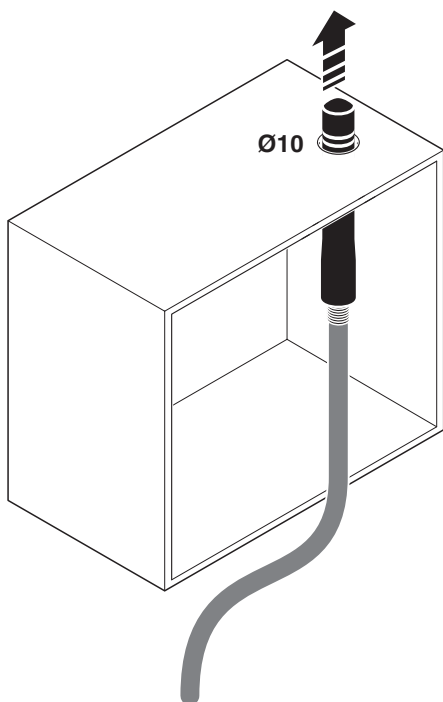
Wall mounting

Schematic diagram



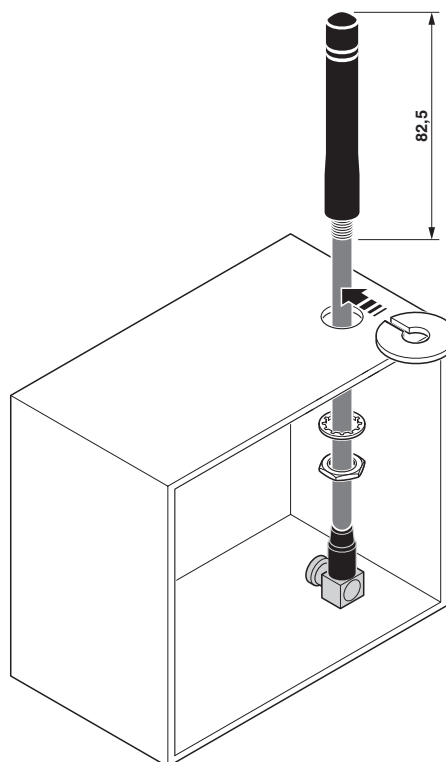
Wall mounting

Schematic diagram



Control cabinet feed-through

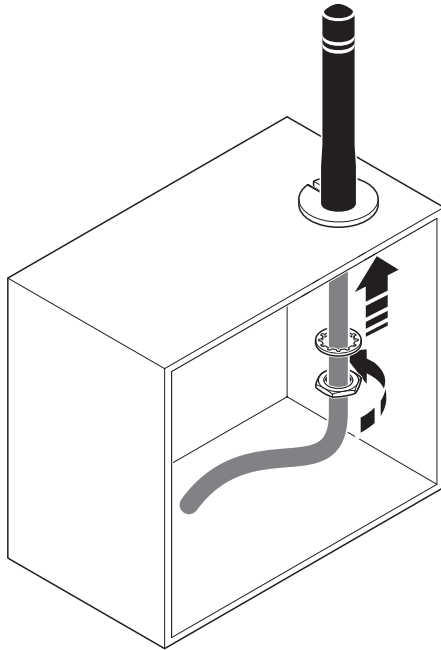
Schematic diagram



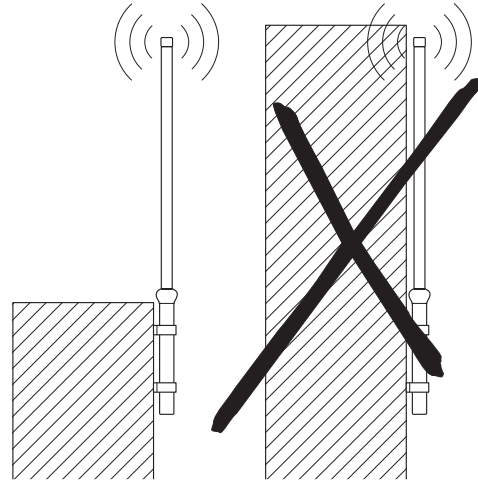
Mounting on the control cabinet

# Antenna - RAD-ISM-2400-ANT-OMNI-2-1-RSMA - 2701362

Schematic diagram



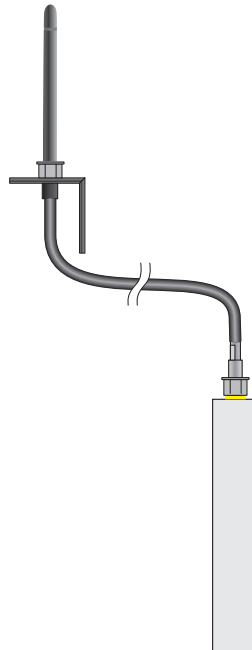
Schematic diagram



Mounting on the control cabinet

# Antenna - RAD-ISM-2400-ANT-OMNI-2-1-RSMA - 2701362

Schematic diagram



Installation example

## Classifications

### eCl@ss

eCl@ss 10.0.1	19070105
eCl@ss 11.0	19070105
eCl@ss 4.0	27250300
eCl@ss 4.1	27250300
eCl@ss 5.0	19070100
eCl@ss 5.1	19070100
eCl@ss 6.0	19070100
eCl@ss 7.0	19070105
eCl@ss 9.0	19070105

### ETIM

ETIM 2.0	EC000416
ETIM 3.0	EC001698
ETIM 4.0	EC001698
ETIM 6.0	EC001698
ETIM 7.0	EC001698

### UNSPSC

UNSPSC 6.01	43171611
-------------	----------

# Antenna - RAD-ISM-2400-ANT-OMNI-2-1-RSMA - 2701362

## Classifications

### UNSPSC

UNSPSC 7.0901	43221706
UNSPSC 11	43171611
UNSPSC 12.01	43221706
UNSPSC 13.2	43221715
UNSPSC 18.0	43221715
UNSPSC 19.0	43221715
UNSPSC 20.0	43221715
UNSPSC 21.0	43223100

Phoenix Contact 2022 © - all rights reserved  
<http://www.phoenixcontact.com>

PHOENIX CONTACT GmbH & Co. KG  
Flachsmarktstr. 8  
32825 Blomberg  
Germany  
Tel. +49 5235 300  
Fax +49 5235 3 41200  
<http://www.phoenixcontact.com>

单击下面可查看定价，库存，交付和生命周期等信息

[>>Phoenix Contact\(菲尼克斯\)](#)