

RJ45 plug connector - VS-08-RJ45-10G/Q - 1419001

Please be informed that the data shown in this PDF Document is generated from our Online Catalog. Please find the complete data in the user's documentation. Our General Terms of Use for Downloads are valid (<http://download.phoenixcontact.com>)



RJ45 connector, IP20, CAT6_A, 8-pos., with QUICKON fast connection technology, for 26 ... 24 AWG 1-wire and 7-wire conductors, color: black

Key commercial data

Packing unit	0
Minimum order quantity	1
Catalog page	Page 284 (PC-2011)
GTIN	 4 046356 521567
Custom tariff number	85366990
Country of origin	GERMANY

Technical data

Mechanical characteristics

Number of positions	8
Connection profile	RJ45 8(8)
Shielded	Yes
Insertion/withdrawal cycles	≥ 750
Connection method	IDC fast connection
Conductor cross section	0.13 mm ² ... 0.21 mm ² (solid)
Conductor cross section	0.14 mm ² ... 0.23 mm ² (7-wire)
Connection cross section AWG	26 ... 24 (solid)
Connection cross section AWG	26 ... 24 (7-wire)
Max. cable diameter	4.5 mm ... 8 mm
External cable diameter	4.5 mm ... 8 mm
Cable exit	Straight
Color	yellow
Ambient temperature (operation)	-20 °C ... 70 °C

Material data

Inflammability class according to UL 94	V2
Housing material	PA 6.6
Contact carrier material	PC

RJ45 plug connector - VS-08-RJ45-10G/Q - 1419001

Technical data

Material data

Contact material	CuSn
Contact surface material	Gold over nickel
Degree of protection	IP20

Electrical characteristics

Number of positions	8
Nominal voltage UN	50 V
Nominal current IN	1.75 A
Transmission characteristics (category)	CAT6A
Rated current	1.75 A
Surge voltage category	I
Pollution degree	2

Classifications

eclass

eCl@ss 4.0	27140816
eCl@ss 4.1	27260701
eCl@ss 5.0	27260701
eCl@ss 5.1	27260701
eCl@ss 6.0	27260705
eCl@ss 7.0	27440309

etim

ETIM 2.0	EC000764
ETIM 3.0	EC001121
ETIM 4.0	EC002599

unspsc

UNSPSC 6.01	30211824
UNSPSC 7.0901	31261501
UNSPSC 11	31261501
UNSPSC 12.01	31261501
UNSPSC 13.2	31261501

Accessories

Accessories

Tools

RJ45 plug connector - VS-08-RJ45-10G/Q - 1419001

Accessories

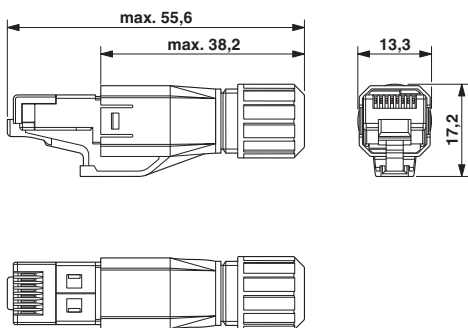
Tool - VS-CABLE-STRIP-VARIO - 1657407



Stripping tool, for the multi-level stripping of shielded cables

Drawings

Dimensioned drawing



RJ45 plug connector, IP20

© Phoenix Contact 2012 - all rights reserved
<http://www.phoenixcontact.com>

单击下面可查看定价，库存，交付和生命周期等信息

[>>Phoenix Contact \(菲尼克斯\)](#)