

Cable - VIP-CAB-FLK14/16/4,0M/S7 - 2904520


Please be informed that the data shown in this PDF Document is generated from our Online Catalog. Please find the complete data in the user's documentation. Our General Terms of Use for Downloads are valid (<http://phoenixcontact.com/download>)



Round cable set; controller: SIMATIC® TOP connect; connection 1: IDC/FLK socket strip (1x 16-position); connection 2: IDC/FLK socket strip (1x 14-position); cable length: 4 m



Key Commercial Data

| | |
|--------------|---|
| Packing unit | 1 pc |
| GTIN |  4 046356 859332 |
| GTIN | 4046356859332 |

Technical data

General

| | |
|---|-----------|
| Max. permissible operating voltage | < 50 V AC |
| | 60 V DC |
| Max. current carrying capacity per path | 1 A |

Ambient conditions

| | |
|---|------------------|
| Ambient temperature (operation) | -20 °C ... 50 °C |
| Ambient temperature (storage/transport) | -20 °C ... 70 °C |

Connector 1

| | |
|-----------------------|----------------------|
| Connection name | Field level |
| Connection method | IDC/FLK socket strip |
| Number of connections | 1 |
| Number of positions | 14 |
| Pitch | 2.54 mm |

Connector 2

| | |
|-----------------------|----------------------|
| Connection name | Controller level |
| Connection method | IDC/FLK socket strip |
| Number of connections | 1 |

Cable - VIP-CAB-FLK14/16/4,0M/S7 - 2904520

Technical data

Connector 2

| | |
|---------------------|---------|
| Number of positions | 16 |
| Pitch | 2.54 mm |

Supported controller

| | |
|------------|---------------------|
| Controller | SIEMENS TOP connect |
|------------|---------------------|

Environmental Product Compliance

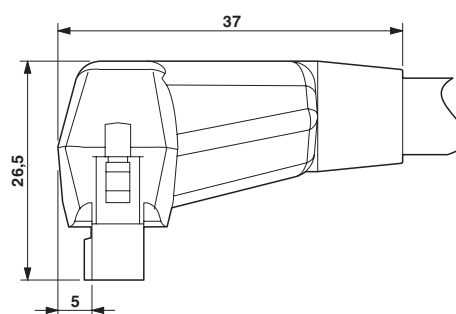
| | |
|------------|--|
| China RoHS | Environmentally Friendly Use Period = 50 years |
| | For information on hazardous substances, refer to the manufacturer's declaration available under "Downloads" |

Drawings

Connection diagram

| 14-pos. Socket strip PIN | 16-pos. Socket strip PIN | Wire color |
|--------------------------------|--------------------------------|--------------|
| 1 | 16 | Black |
| 2 | 14 | Brown |
| 3 | 12 | Red |
| 4 | 10 | Orange |
| 5 | 8 | Yellow |
| 6 | 6 | Green |
| 7 | 4 | Blue |
| 8 | 2 | Violet |
| 9 | 9 | Gray |
| 10 | 1 | White |
| 11 | 11 | White-black |
| 12 | 3 | White-brown |
| 13 | 13 | White-red |
| 14 | 5 | White-orange |
| | 7 | - |
| | 15 | - |

Dimensional drawing



Pin assignment and color code

Classifications

eCl@ss

| | |
|---------------|----------|
| eCl@ss 10.0.1 | 27242220 |
| eCl@ss 11.0 | 27242220 |
| eCl@ss 5.1 | 27242200 |
| eCl@ss 6.0 | 27249200 |
| eCl@ss 7.0 | 27249205 |
| eCl@ss 9.0 | 27242220 |

ETIM

| | |
|----------|----------|
| ETIM 2.0 | EC000237 |
| ETIM 3.0 | EC000237 |
| ETIM 4.0 | EC000237 |

Cable - VIP-CAB-FLK14/16/4,0M/S7 - 2904520

Classifications

ETIM

| | |
|----------|----------|
| ETIM 6.0 | EC000237 |
|----------|----------|

UNSPSC

| | |
|---------------|----------|
| UNSPSC 6.01 | 26121620 |
| UNSPSC 7.0901 | 26121620 |
| UNSPSC 11 | 26121620 |
| UNSPSC 12.01 | 26121620 |
| UNSPSC 13.2 | 26121620 |
| UNSPSC 19.0 | 26121620 |

Phoenix Contact 2022 © - all rights reserved
<http://www.phoenixcontact.com>

PHOENIX CONTACT GmbH & Co. KG
Flachsmarktstr. 8
32825 Blomberg
Germany
Tel. +49 5235 300
Fax +49 5235 3 41200
<http://www.phoenixcontact.com>

单击下面可查看定价，库存，交付和生命周期等信息

[>>Phoenix Contact\(菲尼克斯\)](#)