

DIN rail perforated - NS 35/15 PERFORF 2000MM - 1201730

Please be informed that the data shown in this PDF Document is generated from our Online Catalog. Please find the complete data in the user's documentation. Our General Terms of Use for Downloads are valid (<http://download.phoenixcontact.com>)



DIN rail, material: steel galvanized and passivated with a thick layer, perforated, height 15 mm, width 35 mm, length: 2000 mm

Key commercial data

Packing unit	2
Minimum order quantity	5
Catalog page	Page 342 (CL2-2011)
GTIN	 4 017918 017460
Custom tariff number	72166190
Country of origin	GERMANY

Technical data

General data

Height	15 mm
Length	2000 mm
Width	35 mm
Material	Steel
Coating	Galvanized, passivated with a thick layer
Color	silver

Classifications

eclass

eCl@ss 4.0	23150301
eCl@ss 4.1	23150301
eCl@ss 5.0	27141143
eCl@ss 5.1	27141143
eCl@ss 6.0	27141143
eCl@ss 7.0	27141143

etm

ETIM 2.0	EC001285
ETIM 3.0	EC001285

DIN rail perforated - NS 35/15 PERFORF 2000MM - 1201730

Classifications

etim

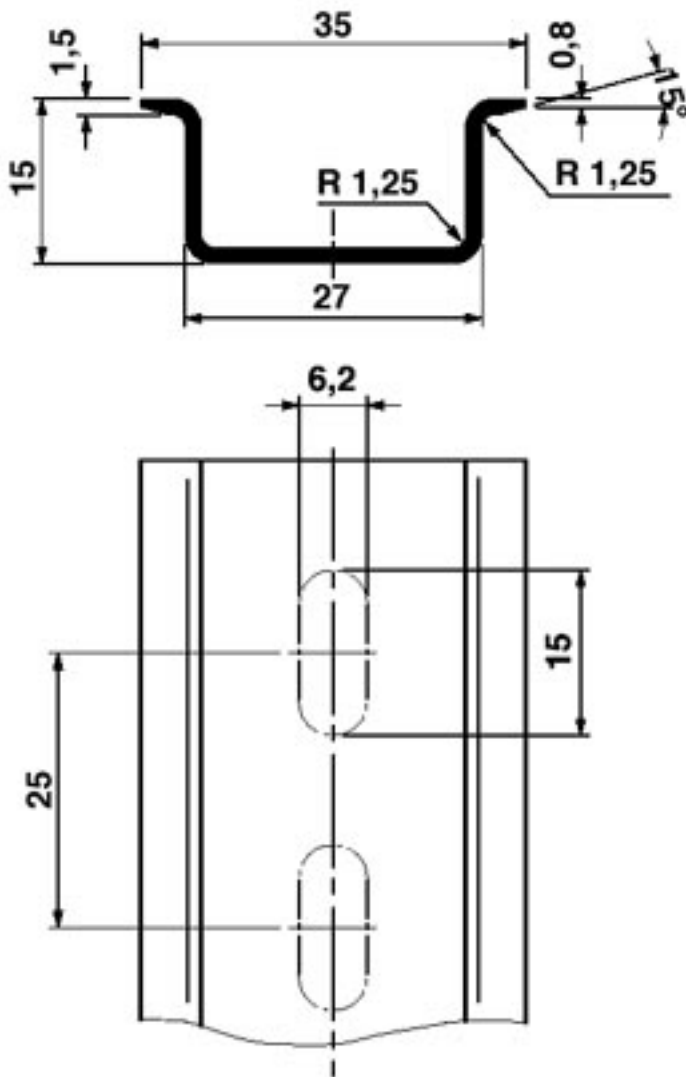
ETIM 4.0	EC001285
----------	----------

unspsc

UNSPSC 6.01	30212109
UNSPSC 7.0901	39121708
UNSPSC 11	39121708
UNSPSC 12.01	39121708
UNSPSC 13.2	39121708

Drawings

Dimensioned drawing



单击下面可查看定价，库存，交付和生命周期等信息

[>>Phoenix Contact \(菲尼克斯\)](#)