

Cable gland - G-ESIS-M20-S68L-PEPDS-BK - 1415108

Please be informed that the data shown in this PDF Document is generated from our Online Catalog. Please find the complete data in the user's documentation. Our General Terms of Use for Downloads are valid (<http://phoenixcontact.com/download>)



Cable gland, Cable gland material: Polyamide, Application: Ex, External cable diameter 7 mm ... 13 mm, Shielding: No, Connecting thread: M20, Color: black

The figure shows the G-ESIS-M25-M68L-PEPDS-BK version



Key Commercial Data

Packing unit	1 pc
Minimum order quantity	10 pc
Custom tariff number	39269097
Country of origin	Germany

Technical data

Dimensions

Length	41 mm
Length without connecting thread	26 mm
Connecting thread diameter	20 mm
Wrench size, union nut	24 mm
Wrench size, support	24 mm
Hexagon angular dimension GRP	28 mm
Length of the connecting thread	15 mm
External cable diameter	7 mm ... 13 mm

Ambient conditions

Degree of protection	IP66
	IP68 (5 bar / 0.5 h)
Ambient temperature (operation)	-40 °C ... 75 °C

Cable gland - G-ESIS-M20-S68L-PEPDS-BK - 1415108

Technical data

General

Cable gland material	Polyamide
Seal material	EPDM
O-ring material	EPDM
Thread type on connection side	M20
Torque	2.3 Nm (Support)
Tightening torque, union nut	1.50 Nm
Color	black
ATEX	II 2 G Ex e IIC Gb, II 2 D Ex tb IIIC Db
IECEX	Ex e IIC Gb, Ex tb IIIC Db

Classifications

eCl@ss

eCl@ss 5.1	27149109
eCl@ss 6.0	27149109

ETIM

ETIM 5.0	EC000441
----------	----------

Approvals

Approvals

Approvals

GL

Ex Approvals

ATEX / IECEX / EAC Ex

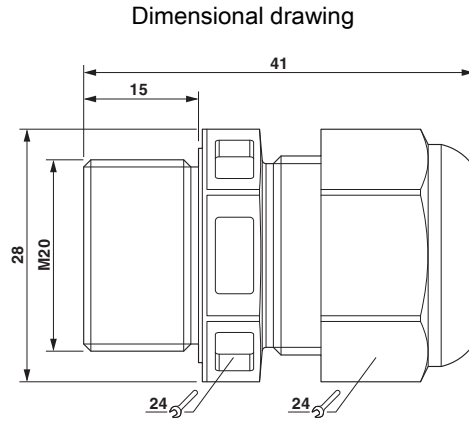
Approvals submitted

Approval details

--

Cable gland - G-ESIS-M20-S68L-PEPDS-BK - 1415108

Drawings



Phoenix Contact 2015 © - all rights reserved
<http://www.phoenixcontact.com>

单击下面可查看定价，库存，交付和生命周期等信息

[>>Phoenix Contact\(菲尼克斯\)](#)