

Converter - MCR-PS-230AC/2X20DC - 2781864

Please be informed that the data shown in this PDF Document is generated from our Online Catalog. Please find the complete data in the user's documentation. Our General Terms of Use for Downloads are valid (<http://phoenixcontact.com/download>)



Power supply unit, with fixed-voltage regulator, input 230 V AC, output 2 x 20 V DC/2 x 25 mA



Key commercial data

Packing unit	1 pc
GTIN	 4 017918 069230
Weight per Piece (excluding packing)	217.9 GRM
Custom tariff number	85044082
Country of origin	Germany

Classifications

eCl@ss

eCl@ss 4.0	27040702
eCl@ss 4.1	27040702
eCl@ss 5.0	27049002
eCl@ss 5.1	27049002
eCl@ss 6.0	27049002
eCl@ss 7.0	27049002
eCl@ss 8.0	27049002

ETIM

ETIM 2.0	EC001039
ETIM 3.0	EC001039
ETIM 4.0	EC000599
ETIM 5.0	EC002540

Converter - MCR-PS-230AC/2X20DC - 2781864

Classifications

UNSPSC

UNSPSC 6.01	30211502
UNSPSC 7.0901	39121004
UNSPSC 11	39121004
UNSPSC 12.01	39121004
UNSPSC 13.2	39121004

Approvals

Approvals


Approvals

GOST / GL

Ex Approvals

Approvals submitted

Approval details

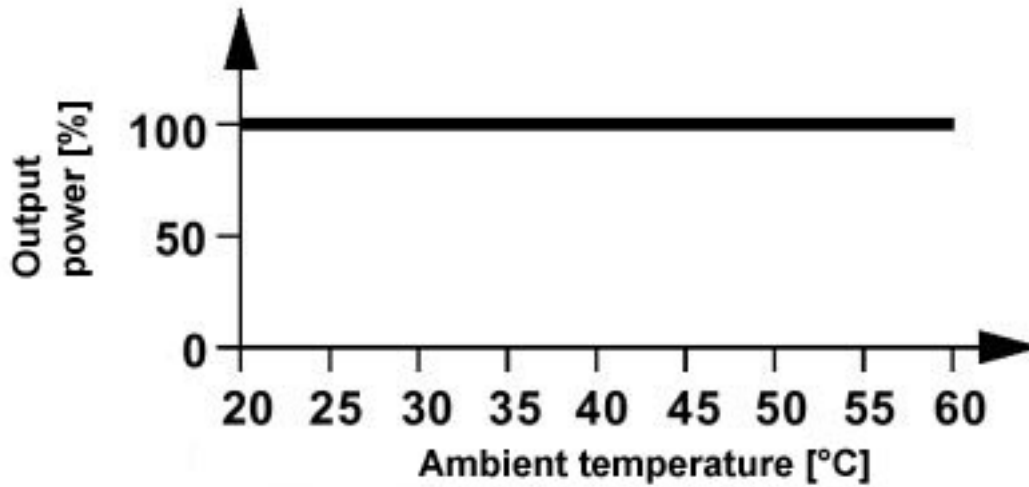
GOST 
--

GL

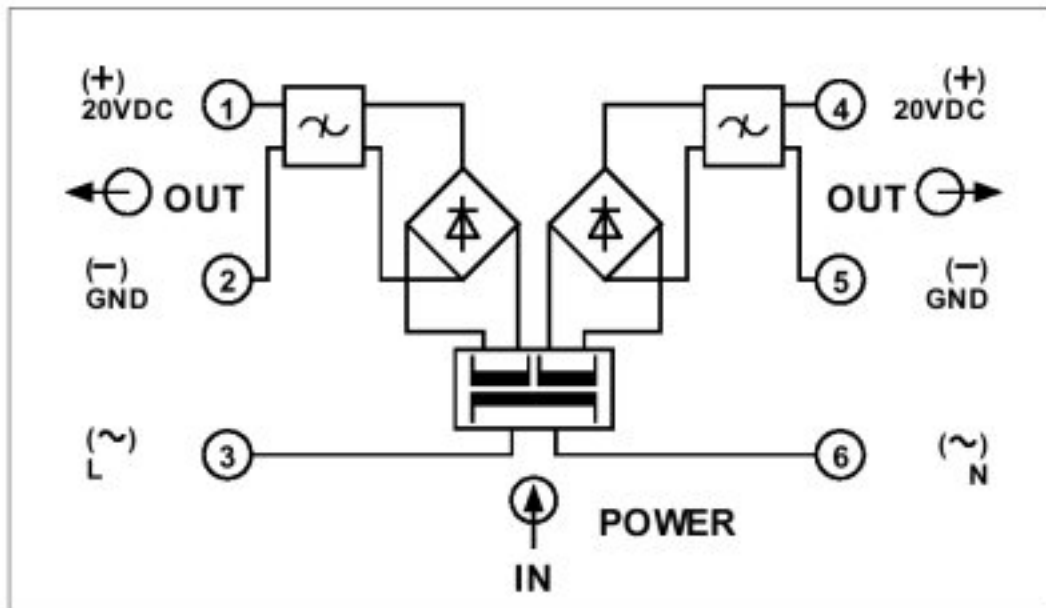
Drawings

Converter - MCR-PS-230AC/2X20DC - 2781864

Diagram



Circuit diagram



单击下面可查看定价，库存，交付和生命周期等信息

[>>Phoenix Contact\(菲尼克斯\)](#)