

Cable gland - G-ESISEC-M40-M68L-NEPDS-S - 1415168

Please be informed that the data shown in this PDF Document is generated from our Online Catalog. Please find the complete data in the user's documentation. Our General Terms of Use for Downloads are valid (<http://phoenixcontact.com/download>)



Cable gland, Cable gland material: Nickel-plated brass, Application: Ex, External cable diameter 16 mm ... 28 mm, Shielding: Yes, Connecting thread: M40, Color: silver

The figure shows the G-ESIS-M25-M68N-NEPDS-S version



Key Commercial Data

Packing unit	1 pc
Minimum order quantity	5 pc
Custom tariff number	74199990
Country of origin	Germany

Technical data

Dimensions

Length	51 mm
Length without connecting thread	36 mm
Connecting thread diameter	40 mm
Wrench size, union nut	46 mm
Wrench size, support	46 mm
Hexagon angular dimension GRP	51 mm
Length of the connecting thread	15 mm
External cable diameter	16 mm ... 28 mm

Ambient conditions

Degree of protection	IP66
	IP68
Ambient temperature (operation)	-40 °C ... 75 °C

Cable gland - G-ESISEC-M40-M68L-NEPDS-S - 1415168

Technical data

General

Cable gland material	Nickel-plated brass
Seal material	EPDM
O-ring material	EPDM
Thread type on connection side	M40
Torque	20 Nm (Support)
Tightening torque, union nut	20.00 Nm
Color	silver
ATEX	II 2 G/D EEx e II IP68
IECEX	Ex e IIC Gb, Ex tb IIIC Db

Classifications

eCl@ss

eCl@ss 5.1	27149109
eCl@ss 6.0	27149109

ETIM

ETIM 5.0	EC000441
----------	----------

Approvals

Approvals

Approvals

UL Recognized / cUL Recognized / GL / cULus Recognized

Ex Approvals

ATEX / IECEX / EAC Ex

Approvals submitted

Approval details

UL Recognized

Cable gland - G-ESISEC-M40-M68L-NEPDS-S - 1415168

Approvals

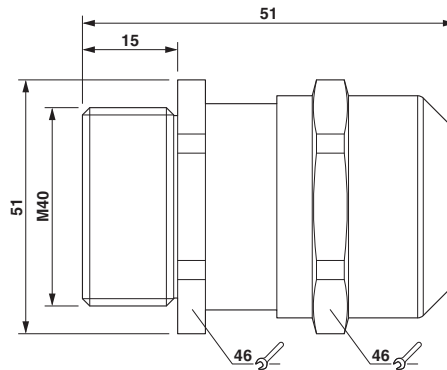
cUL Recognized

GL

cULus Recognized

Drawings

Dimensional drawing



单击下面可查看定价，库存，交付和生命周期等信息

[>>Phoenix Contact\(菲尼克斯\)](#)