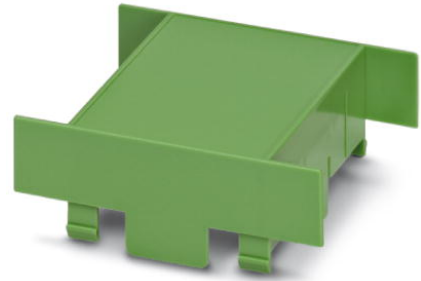


# EG 67,5-A/PC GN


Order No.: 2764933

Illustration shows a fully mounted version of the electronic housing




<http://eshop.phoenixcontact.de/phoenix/treeViewClick.do?UID=2764933>

Housing cover, for connection on both sides

Commercial data	
GTIN (EAN)	 4 017918 131975
sales group	F020
Pack	10 pcs.
Customs tariff	85369010
Catalog page information	Page 571 (CC-2009)

**Product notes**

WEEE/RoHS-compliant since:  
01/01/2003



<http://www.download.phoenixcontact.com>  
Please note that the data given here has been taken from the online catalog. For comprehensive information and data, please refer to the user documentation. The General Terms and Conditions of Use apply to Internet downloads.

## Technical data

General	
Housing type	Upper part
Housing material	PC
Color	green

Dimensions / positions	
Length	75 mm

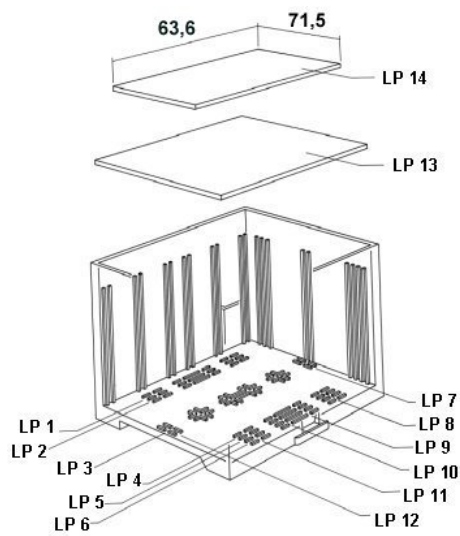
Constructional height	17.5 mm
Width	67.5 mm
Number of positions	26

**Technical data**

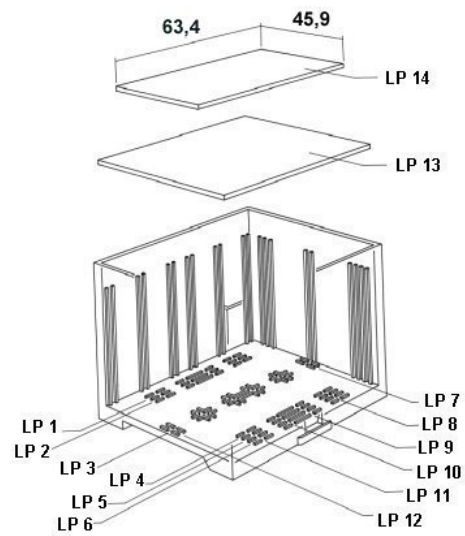
Inflammability class acc. to UL 94	V0
------------------------------------	----

**Diagrams/Drawings**

Explosion drawing

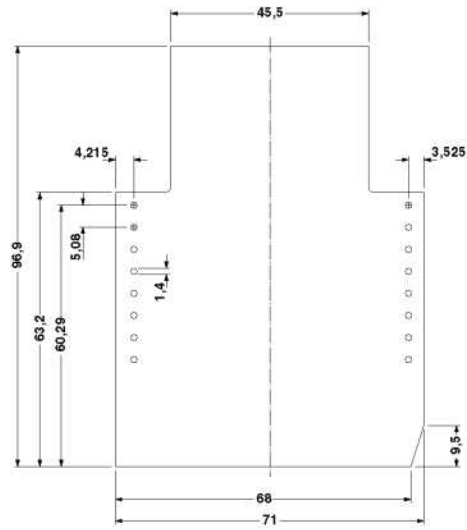
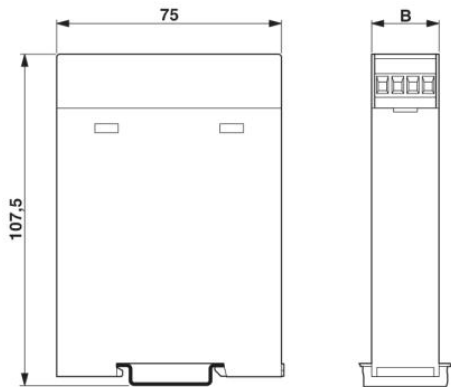


valid for PCB 13

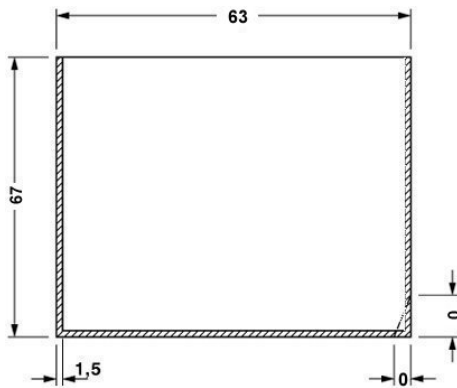


valid for PCB 14

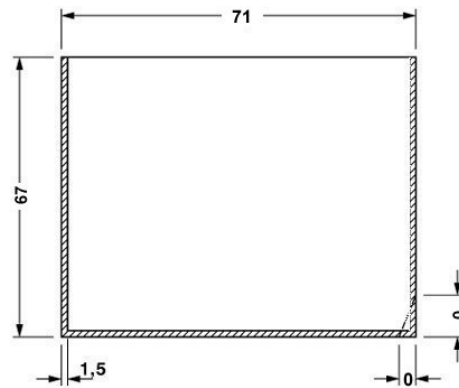
Dimensioned drawing



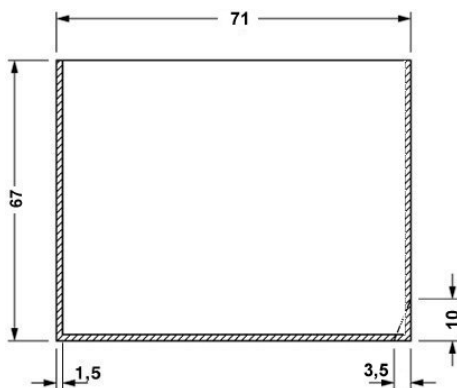
Component mounting side, if the double-level upper part is used



valid for PCB 1; 2; 3; 4; 5 und 6, see explosion drawing



valid for PCB 7; 8; 11 and 12, see explosion drawing



valid for PCB 9, see explosion drawing

**Address**

PHOENIX CONTACT Deutschland GmbH  
Flachmarktstr. 8  
32825 Blomberg, Germany  
Phone +49 5235 3 12000  
Fax +49 5235 3 41200  
<http://www.phoenixcontact.de>



© 2010 Phoenix Contact  
Technical modifications reserved;

单击下面可查看定价，库存，交付和生命周期等信息

[>>Phoenix Contact \(菲尼克斯\)](#)