

Extension module - PSR-M-E1-DO8-SC



1105132

<https://www.phoenixcontact.com/us/products/1105132>

Please be informed that the data shown in this PDF document is generated from our Online Catalog. Please find the complete data in the user documentation. Our General Terms of Use for Downloads are valid.



Extension module with 8 signal outputs, TBUS interface, plug-in screw terminal block, TBUS connector included

Product Description

The configurable and individually scalable PSRmodular safety system is a flexible safety solution for monitoring your machine or system. The extension module provides the system with additional signal outputs.

Your advantages

- Cost-effective safety solution with a high level of adaptability to individual requirements
- Fast startup, thanks to easy hardware and software configuration
- Machine downtimes minimized with comprehensive, easy-to-understand diagnostics
- Narrow housing width of just 22.6 mm

Commercial Data

Item number	1105132
Packing unit	1 pc
Minimum order quantity	1 pc
Note	Made to Order (non-returnable)
Sales Key	C18
Product Key	DNA364
GTIN	4055626975191
Weight per Piece (including packing)	170.1 g
Weight per Piece (excluding packing)	138 g
Customs tariff number	85371098
Country of origin	IT

Technical Data

Product properties

Product type	Coupling relay
Application	Extension module

Insulation characteristics

Protection class	III (EN 50178)
Overvoltage category	II

Times

Response time	see user manual
Restart time	min. 5 s (Boot time)
	max. 10 s (Boot time)

Electrical properties

Maximum power dissipation for nominal condition	1.82 W (with max. permissible load)
Nominal operating mode	100% operating factor
Interfaces	DIN rail TBUS for connection to the master module, supplied as standard
Rated insulation voltage	250 V AC
Rated surge voltage/insulation	Basic insulation 4 kV between all current paths and housing
Designation	A1/A2
Rated control circuit supply voltage U_S	19.2 V DC ... 28.8 V DC
Rated control circuit supply voltage U_S	24 V DC -20 % / +20 % (external fuse, typically 4 A)
Rated control supply current I_S	typ. 20 mA
Power consumption at U_S	typ. 0.48 W
Inrush current	1.5 A ($\Delta t = 1$ ms at U_S)
Filter time	typ. 5 ms (at A1 in the event of voltage dips at U_S)
Protective circuit	Serial protection against polarity reversal
	Suppressor diode
Designation	24V/A2
Rated control circuit supply voltage U_S	24 V DC -20 % / +20 % (external fuse, typically 4 A)
Rated control supply current I_S	typ. 20 mA (Outputs active, without load)
Inrush current	2 A ($\Delta t = 1$ ms at U_S)
Filter time	typ. 1 ms (in the event of voltage dips)
Protective circuit	Inverse-parallel protection against polarity reversal
	Suppressor diode

Output data

Signal: MO1, MO2, MO3, MO4, MO5, MO6, MO7, MO8

Output description	PNP, IEC 61131-2 Typ 0,1
	non-safety-related
	Reference ground A2

Extension module - PSR-M-E1-DO8-SC



1105132

<https://www.phoenixcontact.com/us/products/1105132>

Number of outputs	8
Output voltage when switched off	max. 0.1 V
Voltage	24 V DC (via 24 V)
Maximum inrush current	1.1 A ($\Delta t = 3 \text{ s}$ at U_g)
Limiting continuous current	100 mA (per channel) 400 mA (Total current of all digital signal outputs)
Leakage current	max. 100 μA
Switching frequency	max. $1/4 \times t_{\text{Cycle}}$ [Hz]
Protective circuit	Suppressor diode
Short-circuit protection	Yes (self-limitation at 1.1 A)
Cable length	max. 100 m (per output)

Connection data

Connection technology

pluggable	yes
-----------	-----

Conductor connection

Connection method	Screw connection
Conductor cross section solid	0.2 mm ² ... 2.5 mm ²
Conductor cross-section AWG	24 ... 12
Screw thread	M3
Tightening torque	0.5 Nm ... 0.6 Nm

LED signaling

Status display	1 x LED (green), 2 x LED (orange) 8 x LED (yellow)
Operating voltage display	1 x green LED
Error indication	2 x LED (red)

Dimensions

Width	22.61 mm
Height	112.58 mm
Depth	113.6 mm

Material specifications

Housing material	Polyamide PA non-reinforced
Housing color	yellow

Environmental and real-life conditions

Ambient conditions

Degree of protection	IP20
Min. degree of protection of inst. location	IP54
Ambient temperature (operation)	-10 °C ... 55 °C (observe derating)
Ambient temperature (storage/transport)	-20 °C ... 85 °C

Extension module - PSR-M-E1-DO8-SC



1105132

<https://www.phoenixcontact.com/us/products/1105132>

Maximum altitude	≤ 2000 m (Above sea level)
Max. permissible humidity (storage/transport)	95 % (non-condensing)
Max. permissible relative humidity (operation)	95 % (non-condensing)
Shock	10g for $\Delta t = 16$ ms (continuous shock, 1000 shocks in each space direction)
Vibration (operation)	10 Hz ... 150 Hz, 2g

Standards and regulations

Air clearances and creepage distances between the power circuits

Standards/regulations	EN 50178
-----------------------	----------

Mounting

Mounting type	DIN rail mounting
Assembly instructions	Observe derating
Mounting position	vertical or horizontal

Extension module - PSR-M-E1-DO8-SC

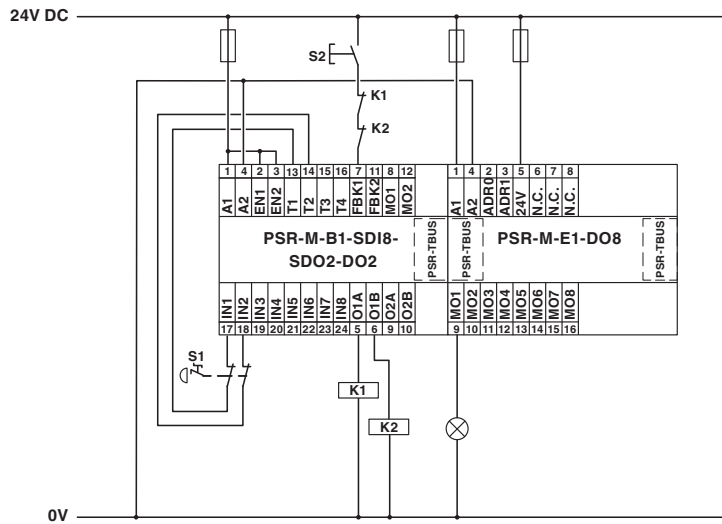


1105132

<https://www.phoenixcontact.com/us/products/1105132>

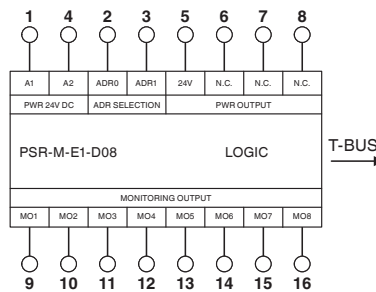
Drawings

Application drawing



Example application

Block diagram



Block diagram

Extension module - PSR-M-E1-DO8-SC



1105132

<https://www.phoenixcontact.com/us/products/1105132>

Approvals



UL Listed

Approval ID: FILE E 238705



cUL Listed

Approval ID: FILE E 238705



EAC

Approval ID: RU*-DE*B.00606/20

Functional Safety

Approval ID: Z10 029429 0013

cULus Listed

Extension module - PSR-M-E1-DO8-SC



1105132

<https://www.phoenixcontact.com/us/products/1105132>

Classifications

ECLASS

ECLASS-9.0	27371819
ECLASS-10.0.1	27371819
ECLASS-11.0	27371819

ETIM

ETIM 8.0	EC001449
----------	----------

UNSPSC

UNSPSC 21.0	39122200
-------------	----------

Extension module - PSR-M-E1-DO8-SC



1105132

<https://www.phoenixcontact.com/us/products/1105132>

Environmental Product Compliance

China RoHS	Environmentally friendly use period: unlimited = EFUP-e
	No hazardous substances above threshold values

Extension module - PSR-M-E1-DO8-SC



1105132

<https://www.phoenixcontact.com/us/products/1105132>

Accessories

Coding profile

Coding profile - CP-MSTB - 1734634

<https://www.phoenixcontact.com/us/products/1734634>

Coding profile, is inserted into the slot on the plug or inverted header, red insulating material



Coding section

Coding section - CR-MSTB - 1734401

<https://www.phoenixcontact.com/us/products/1734401>

Coding section, inserted into the recess in the header or the inverted plug, red insulating material



Phoenix Contact 2022 © - all rights reserved

<https://www.phoenixcontact.com>

Phoenix Contact USA

586 Fulling Mill Road

Middletown, PA 17057, United States

(+717) 944-1300

info@phoenixcon.com

单击下面可查看定价，库存，交付和生命周期等信息

[>>Phoenix Contact\(菲尼克斯\)](#)