

Data connector - SACC-M12MS-8QO SH ETH



1421679

<https://www.phoenixcontact.com/us/products/1421679>

Please be informed that the data shown in this PDF document is generated from our Online Catalog. Please find the complete data in the user documentation. Our General Terms of Use for Downloads are valid.



Data connector, Ethernet CAT5 (1 Gbps), 8-position, halogen-free, shielded, Plug straight M12 SPEEDCON, Coding: A, Insulation displacement connection, knurl material: Zinc die-cast, nickel-plated, external cable diameter 5 mm ... 9.7 mm

Your advantages

- Safe use in the field, thanks to a high degree of protection
- Save time, thanks to installation with SPEEDCON fast locking system
- Reliable signal transmission - 360° shielding in environments with electromagnetic interference

Commercial Data

Item number	1421679
Packing unit	1 pc
Minimum order quantity	1 pc
Sales Key	B07
Product Key	BF2CDI
Catalog Page	Page 343 (C-2-2019)
GTIN	4055626276816
Weight per Piece (including packing)	40.1 g
Weight per Piece (excluding packing)	40.1 g
Customs tariff number	85366990
Country of origin	DE

Technical Data

Notes

Assembly instruction:	NOTE: Observe the permissible bending radii when laying conductors, since the degree of protection may be put in jeopardy if the bending forces are too high. Alleviate mechanical loads upstream of the connector, e.g. by using cable ties.
-----------------------	--

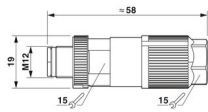
Product properties

Product type	Circular connector (cable-side)
Number of positions	8
No. of cable outlets	1
Shielded	yes
Coding	A - standard
Cable outlet	straight

Insulation characteristics

Overvoltage category	III
Degree of pollution	3

Dimensions

Dimensional drawing	
Length	58 mm

External dimensions

Outside diameter	5 mm ... 9.7 mm
------------------	-----------------

Housing

Diameter housing	19 mm
------------------	-------

Material specifications

Flammability rating according to UL 94	V0
Sealing material	NBR
Material of grip body	Zinc die-cast, nickel-plated
Contact material	CuSn
Contact surface material	Ni/Au
Contact carrier material	PA 6.6
Cable gland material	Zinc die-cast, nickel-plated
Standards/regulations	PA 6.6: Fire protection in rail vehicles - requirement sets R22, R23, R24, and R26 acc. to DIN EN 45545-2 (Risk level HL1 - HL3)
Wire insulation material	PVC / PE / PP / rubber

Data connector - SACC-M12MS-8QO SH ETH



1421679

<https://www.phoenixcontact.com/us/products/1421679>

Connection data

Conductor connection

Connection method	Insulation displacement connection
Connection cross section	0.14 mm ² ... 0.34 mm ² (flexible)
	0.14 mm ² ... 0.34 mm ² (solid)
Connection cross section AWG	26 ... 22 (flexible)
	26 ... 22 (solid)
Tightening torque	5 Nm (Pressure nut)

Pin assignment

Contact Color (signal designation) Contact (optional)	1 = WHOG (D1+)
	2 = OG (D1-)
	3 = WHGN (D2+)
	4 = GN (D2-)
	5 = WHBN (D4+)
	6 = BN (D4-)
	7 = WHBU (D3-)
	8 = BU (D3+)

Electrical properties

Rated surge voltage	0.8 kV
Insulation resistance	≥ 100 MΩ
Nominal voltage U _N	48 V AC
	60 V DC
Nominal current I _N	2 A

Connector

Insertion/withdrawal cycles	≥ 100
-----------------------------	-------

Connection 1

Head design	Plug
Head cable outlet	straight
Head thread type	M12
Head locking type	SPEEDCON
Coding	A-coded

Cable / line

Signal type/category	Ethernet CAT5 (on the basis of IEC 11801), 1 Gbps
----------------------	---

Ambient conditions

Degree of protection	IP65
	IP67
Ambient temperature (operation)	-40 °C ... 85 °C (Plug / socket)
Ambient temperature (assembly)	-5 °C ... 50 °C

Data connector - SACC-M12MS-8QO SH ETH



1421679

<https://www.phoenixcontact.com/us/products/1421679>

Standards and regulations

Testing

Standards/regulations	PA 6.6: Fire protection in rail vehicles - requirement sets R22, R23, R24, and R26 acc. to DIN EN 45545-2 (Risk level HL1 - HL3)
-----------------------	--

M12

Standards/specifications	according to IEC 61076-2-101
--------------------------	------------------------------

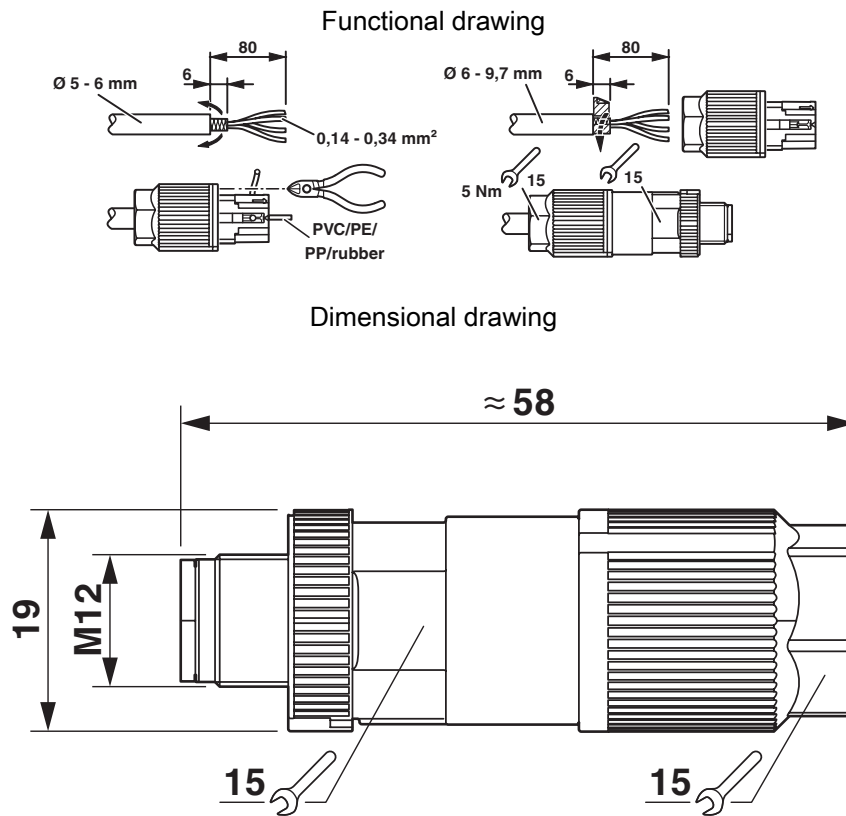
Data connector - SACC-M12MS-8QO SH ETH



1421679

<https://www.phoenixcontact.com/us/products/1421679>

Drawings

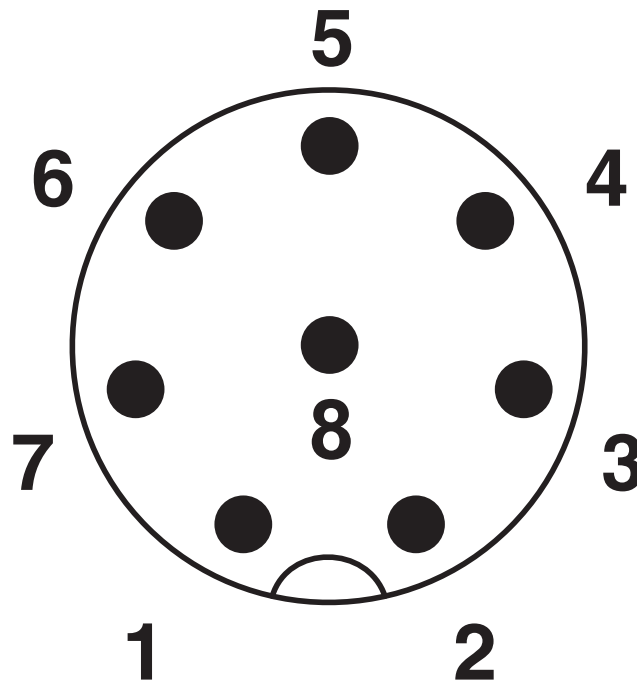


Plug, M12 x 1, straight, shielded

1421679

<https://www.phoenixcontact.com/us/products/1421679>

Schematic diagram



Pin assignment of M12 plug, 8-pos., A-coded, view of plug side

Data connector - SACC-M12MS-8QO SH ETH



1421679

<https://www.phoenixcontact.com/us/products/1421679>

Approvals



EAC

Approval ID: RU C-DE.AI30.B.01102



EAC

Approval ID: RU C-DE.BL08.B.00511

Data connector - SACC-M12MS-8QO SH ETH



1421679

<https://www.phoenixcontact.com/us/products/1421679>

Classifications

ECLASS

ECLASS-9.0	27440102
ECLASS-10.0.1	27440102
ECLASS-11.0	27440102

ETIM

ETIM 8.0	EC002635
----------	----------

UNSPSC

UNSPSC 21.0	39121400
-------------	----------

Data connector - SACC-M12MS-8QO SH ETH



1421679

<https://www.phoenixcontact.com/us/products/1421679>

Environmental Product Compliance

China RoHS	Environmentally friendly use period: unlimited = EFUP-e
	No hazardous substances above threshold values

Data connector - SACC-M12MS-8QO SH ETH



1421679

<https://www.phoenixcontact.com/us/products/1421679>

Accessories

Shielding foil

Shielding foil - VS-08-RJ45-FOLIEN-SET - 1417184

<https://www.phoenixcontact.com/us/products/1417184>

Shielding foil set, 25 pieces, replacement for RJ45 and M12 Quickon connector



Torque screwdriver

Torque screwdriver - TSD 04 SAC - 1208429

<https://www.phoenixcontact.com/us/products/1208429>

Torque screwdriver, with preset torque of 0.4 Nm and 4 mm hexagonal drive for M12 connectors



Data connector - SACC-M12MS-8QO SH ETH



1421679

<https://www.phoenixcontact.com/us/products/1421679>

Tool

Tool - SACC BIT M12-D20 - 1208445

<https://www.phoenixcontact.com/us/products/1208445>

Nut for assembling M12 connectors for assembly with a knurl diameter of 20 mm, for 4 mm hexagonal drive



Torque screwdriver

Torque screwdriver - TSD-M 1,2NM - 1212224

<https://www.phoenixcontact.com/us/products/1212224>

Torque screw driver, accuracy as per EN ISO 6789 standard, adjustable from 0.3 - 1.2 Nm



Data connector - SACC-M12MS-8QO SH ETH



1421679

<https://www.phoenixcontact.com/us/products/1421679>

Adapter insert

Adapter insert - TSD-M SAC-BIT ADAPTER - 1212600

<https://www.phoenixcontact.com/us/products/1212600>



Adapter bit for TSD-M...torque tools, E6.3-1/4" drive with 4 mm hexagon to accommodate SAC bits

Sealing cap

Sealing cap - PROT-M12 FS-PA-CHAIN - 1430873

<https://www.phoenixcontact.com/us/products/1430873>



M12 sealing cap made of plastic with fixing band, for sensor cables, for free M12 plugs

Data connector - SACC-M12MS-8QO SH ETH



1421679

<https://www.phoenixcontact.com/us/products/1421679>

Stripping tool

Stripping tool - WIREFOX-D 40 - 1212161

<https://www.phoenixcontact.com/us/products/1212161>



Stripping tool, for stripping cables of 4.5 mm - 40 mm-Ø, insulation thickness of up to 4.5 mm, pivoting blade for round, lengthwise, and spiral cuts

Diagonal cutter

Diagonal cutter - MICROFOX-SB - 1212489

<https://www.phoenixcontact.com/us/products/1212489>



Electronic diagonal cutter, round head, without chamfer, with opening spring, mirror-polished and oiled, 2-component grip, cutting capacity: soft 0.2 - 2.0 mm; medium hard 1.2 mm; hard 0.5 mm diameter

Data connector - SACC-M12MS-8QO SH ETH



1421679

<https://www.phoenixcontact.com/us/products/1421679>

Stripping tool

Stripping tool - VS-CABLE-STRIP-VARIO - 1657407

<https://www.phoenixcontact.com/us/products/1657407>

Stripping tool, for the multi-level stripping of shielded cables



Phoenix Contact 2022 © - all rights reserved

<https://www.phoenixcontact.com>

Phoenix Contact USA
586 Fulling Mill Road
Middletown, PA 17057, United States
(+717) 944-1300
info@phoenixcon.com

单击下面可查看定价，库存，交付和生命周期等信息

[>>Phoenix Contact\(菲尼克斯\)](#)