

Interface module - UM-D37M/DS/FU/LED/AO/C3/R C - 2906187

Please be informed that the data shown in this PDF Document is generated from our Online Catalog. Please find the complete data in the user's documentation. Our General Terms of Use for Downloads are valid (<http://phoenixcontact.com/download>)



16-channel module for Honeywell C300 analog output cards with disconnect, test points, socketed 500 mA fuses and fuse status indicator.

Why buy this product

- These VARIOFACE modules are used in combination with the relevant front adapters
- Per channel pluggable 500 mA fusing
- Per channel disconnects with test points
- Conformal coating of PCB
- LED blown fuse indication
- Din rail mounting, includes grounding foot
- Per channel shield connection
- UM-PRO housing



Key Commercial Data

Packing unit	1 STK
Weight per Piece (excluding packing)	250.000 g
Custom tariff number	85369010
Country of origin	United States

Technical data

Dimensions

Width	104 mm
Height	142.3 mm
Depth	79 mm

Ambient conditions

Ambient temperature (operation)	-40 °C ... 60 °C
---------------------------------	------------------

Interface module - UM-D37M/DS/FU/LED/AO/C3/R C - 2906187

Technical data

Ambient conditions

Ambient temperature (storage/transport)	-40 °C ... 75 °C
---	------------------

General

Max. perm. operating voltage	24 V DC
Max. perm. current (per branch)	500 mA (fuse limited)
Max. permissible current (separate power supply)	4 A (via D-SUB)
Number of positions	37
Status display	No
Standards/regulations	DIN EN 50178

Connection data for connection 1

Connection name	Field level
Connection method	Screw connection with disconnect knife
Stripping length	8 mm
Screw thread	M 3
Conductor cross section solid	0.2 mm ² ... 4 mm ²
Conductor cross section flexible	0.2 mm ² ... 2.5 mm ²
Conductor cross section AWG	24 ... 12

Connection data for connection 2

Connection name	Controller level
Connection method	D-SUB pin strip
Number of connections	1
Number of positions	37

Supported controller

Controller	Honeywell Experion PKS C300
- suitable I/O card	CX-TAOX01
	CX-TAOX11
	CX-TAON01
	CX-TAON11
Controller	Honeywell Experion LX Series 8
- suitable I/O card	8X-TAOXA1
	8X-TAOXB1

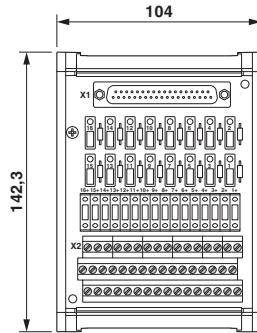
Standards and Regulations

Standards/regulations	DIN EN 50178
-----------------------	--------------

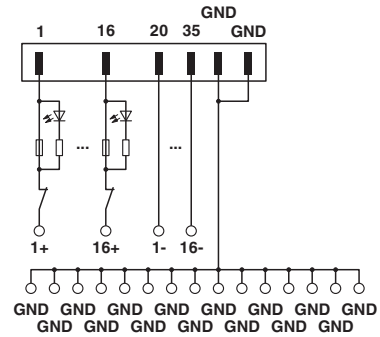
Drawings

Interface module - UM-D37M/DS/FU/LED/AO/C3/R C - 2906187

Dimensional drawing



Circuit diagram



dimensional drawing of left hand version

Classifications

eCl@ss

eCl@ss 6.0	27242608
eCl@ss 7.0	27141152
eCl@ss 8.0	27141152
eCl@ss 9.0	27141152

ETIM

ETIM 4.0	EC001420
ETIM 5.0	EC001420

Approvals

Approvals

Approvals

UL Recognized / cUL Recognized / cULus Recognized


Ex Approvals


Approval details

UL Recognized <http://database.ul.com/cgi-bin/XYV/template/LISEXT/1FRAME/index.htm> FILE E 238705

Interface module - UM-D37M/DS/FU/LED/AO/C3/R C - 2906187

Approvals

cUL Recognized  <http://database.ul.com/cgi-bin/XYV/template/LISEXT/1FRAME/index.htm> FILE E 238705

cULus Recognized  <http://database.ul.com/cgi-bin/XYV/template/LISEXT/1FRAME/index.htm>

Accessories

Accessories

System cable

Cable - CABLE-D37SUB/B/B/ 100/KONFEK/S - 2305509



Assembled shielded round cable with 1 x D-SUB socket strip (37-position) on 1 x D-SUB socket strip (37-position), Cable length: 1 m

Cable - CABLE-D37SUB/B/B/ 200/KONFEK/S - 2305512



Assembled shielded round cable with 1 x D-SUB socket strip (37-position) on 1 x D-SUB socket strip (37-position), Cable length: 2 m

Cable - CABLE-D37SUB/B/B/ 300/KONFEK/S - 2305525



Assembled shielded round cable with 1 x D-SUB socket strip (37-position) on 1 x D-SUB socket strip (37-position), Cable length: 3 m

Interface module - UM-D37M/DS/FU/LED/AO/C3/R C - 2906187

Accessories

Cable - CABLE-D37SUB/B/B/ 400/KONFEK/S - 2900759



Assembled shielded round cable with 1 x D-SUB socket strip (37-position) on 1 x D-SUB socket strip (37-position), Cable length: 4 m

Cable - CABLE-D37SUB/B/B/ 600/KONFEK/S - 2900760



Assembled shielded round cable with 1 x D-SUB socket strip (37-position) on 1 x D-SUB socket strip (37-position), Cable length: 6 m

Cable - CABLE-D37SUB/B/B/ 800/KONFEK/S - 2900761



Assembled shielded round cable with 1 x D-SUB socket strip (37-position) on 1 x D-SUB socket strip (37-position), Cable length: 8 m

Cable - CABLE-D37SUB/B/B/1000/KONFEK/S - 2900762



Assembled shielded round cable with 1 x D-SUB socket strip (37-position) on 1 x D-SUB socket strip (37-position), Cable length: 10 m

Cable - CABLE-D37SUB/B/B/1500/KONFEK/S - 2900763



Assembled shielded round cable with 1 x D-SUB socket strip (37-position) on 1 x D-SUB socket strip (37-position), Cable length: 15 m

Interface module - UM-D37M/DS/FU/LED/AO/C3/R C - 2906187

Accessories

Cable - CABLE-D37SUB/B/B/2000/KONFEK/S - 2900764



Assembled shielded round cable with 1 x D-SUB socket strip (37-position) on 1 x D-SUB socket strip (37-position), Cable length: 20 m

Necessary add-on products

Front adapters - FLKM-PA-D37/HW/AN/C300 - 2900622



VARIOFACE front adapters, for Honeywell C300, series C I/O, max. 1 x 16 channels (37-pos. D-SUB connector) can be connected

Spare parts

Fuse - FUSE/TE5/500MA/F-10PCS - 2905276



Plug-in fuse (TE5[®]); nominal current: 500 mA; tripping behavior: fast-blow (F)

单击下面可查看定价，库存，交付和生命周期等信息

[>>Phoenix Contact \(菲尼克斯\)](#)