

Support - AB/NS - 1201141

Please be informed that the data shown in this PDF Document is generated from our Online Catalog. Please find the complete data in the user's documentation. Our General Terms of Use for Downloads are valid (<http://download.phoenixcontact.com>)



Support, for insulated mounting of DIN rails in insulated systems, plastic, 21 mm high

Why buy this product

- The support can be used for fully insulated DIN rail support

Key commercial data

Packing unit	1
Minimum order quantity	10
Catalog page	Page 349 (CL2-2011)
GTIN	 4 017918 017248
Custom tariff number	85472000
Country of origin	GERMANY

Technical data

General data

Height	21 mm
Length	35 mm
Width	38 mm
Material	PA
Coating	uncoated
Color	gray

Classifications

eclass

eCl@ss 4.0	23150301
eCl@ss 4.1	23150301
eCl@ss 5.0	27141143
eCl@ss 5.1	27141143
eCl@ss 6.0	27141143
eCl@ss 7.0	27141143

Support - AB/NS - 1201141

Classifications

etim

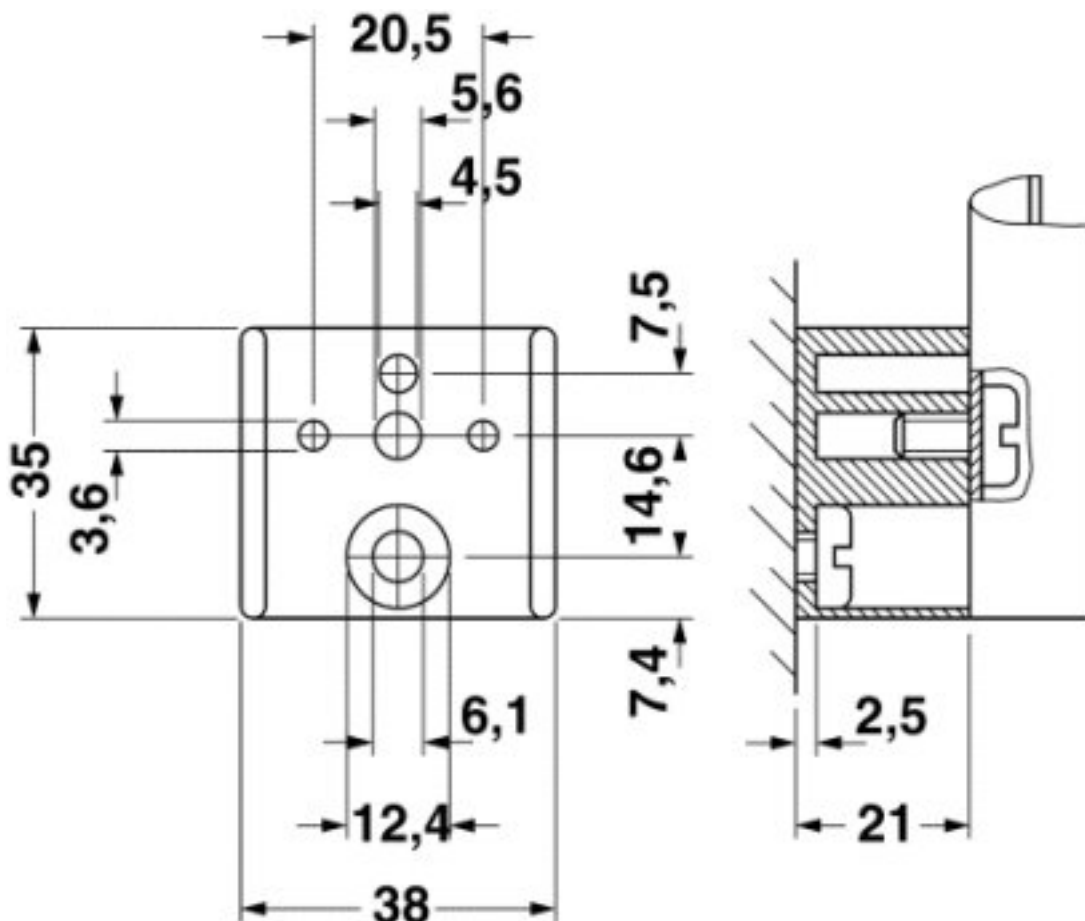
ETIM 2.0	EC000761
ETIM 3.0	EC000761
ETIM 4.0	EC000761

unspsc

UNSPSC 6.01	30212109
UNSPSC 7.0901	39121708
UNSPSC 11	39121708
UNSPSC 12.01	39121708
UNSPSC 13.2	39121708

Drawings

Dimensioned drawing



单击下面可查看定价，库存，交付和生命周期等信息

[>>Phoenix Contact \(菲尼克斯\)](#)