

I/O module - IB ST 24 BAI 2/SF - 2722771

Please be informed that the data shown in this PDF Document is generated from our Online Catalog. Please find the complete data in the user's documentation. Our General Terms of Use for Downloads are valid (<http://phoenixcontact.com/download>)



INTERBUS-ST analog input module, 2 inputs, 0 to 20 mA, 4 to 20 mA, 0 to 10 V, IP20 protection, consisting of: Terminal part with screw connection and module electronics,

Product description

INTERBUS ST analog input modules

The wide range of INTERBUS analog input modules makes it possible to choose the ideal product for a variety of applications. All commercially available analog standard sensors with voltage or current signals can be connected. Particular features of the INTERBUS analog input modules are:

- High accuracy of measurement
- Extremely rapid acquisition of measurement values
- Very good interference and common mode suppression
- A constant voltage source for the connection of passive sensors

Moreover, a host of measures guarantee a high standard of operational reliability, even under extreme industrial environmental conditions. In addition to integrated safety systems, such as:

- Watchdog monitoring of the processor, or
- Monitoring the supply voltage, in particular, comprehensive EMC measures, for example, a new shielding concept.


There is a separate shield connection option for each input, without extra external wiring necessary. The connection to protective earth ground is created automatically when the module is snapped onto the DIN rail.

All the typical advantages of INTERBUS ST handling, such as multi-wire connection method and plug-in electronics are available.

Product Features

- Temperature measurement modules
- Standard signal types (voltage and current)

Key commercial data

Packing unit	1 pc
GTIN	 4 017918 154509
Weight per Piece (excluding packing)	402.2 GRM
Custom tariff number	85389091
Country of origin	Germany

Technical data

Note

I/O module - IB ST 24 BAI 2/SF - 2722771

Technical data

Note

Utilization restriction	EMC: class A product, see manufacturer's declaration in the download area
-------------------------	---

Dimensions

Width	81 mm
Height	117 mm
Length	116 mm

Interfaces

Interface	ST local bus
Connection method	ST local bus connector
Transmission speed	500 kBit/s
Transmission physics	Copper

Power supply

Communications power U_L	9 V DC (from the ST local bus)
I/O voltage	± 24 V DC 5 % (ripple)
I/O voltage range	20 V DC ... 30 V DC
Max. power consumption from the local bus	160 mA (from the ST local bus)
	140 mA (from the ST local bus)

Electrical isolation

Test section	Bus/Inputs 500 V AC 50 Hz 1 min
	Sensor supply/Ground conductor 500 V AC 50 Hz 1 min

Inputs

No. of channels	2
Note on the number of channels	differential inputs, voltage or current
Connection method	2, 3-wire
Voltage input signal	0 V ... 10 V
Input resistance of voltage input	> 200 k Ω
Voltage input quantization	2.44 mV
Wire break diagnostics	no
Basic error limit	0.05 %
Current input signal	4 mA ... 20 mA
	0 mA ... 20 mA
Input resistance current input	50 Ω
Current input quantization	3.91 μ A (4.88 μ A at 0 mA ... 20 mA)
Wire break diagnostics	Yes, diagnostic bit
Basic error limit	0.1 %

I/O module - IB ST 24 BAI 2/SF - 2722771

Technical data

Inputs

Measuring principle	Successive approximation
Measured value monitoring to the PLC	Both channels simultaneously
Measured value representation	16 bit two's complement
Measured value resolution	12 bits
A/D conversion time	10 µs (per channel)
Process data update	0.55 ms (per channel/1.1 ms all channels)
Limit frequency (3 dB)	30 Hz
Averaging	Yes

General

Weight	370 g
Mounting type	DIN rail

Classifications

eCl@ss

eCl@ss 4.0	27250303
eCl@ss 4.1	27250303
eCl@ss 5.0	27250303
eCl@ss 5.1	27242601
eCl@ss 6.0	27242601
eCl@ss 7.0	27242601
eCl@ss 8.0	27242601

ETIM

ETIM 2.0	EC001431
ETIM 3.0	EC001596
ETIM 4.0	EC001596
ETIM 5.0	EC001596

UNSPSC

UNSPSC 6.01	43172015
UNSPSC 7.0901	43201404
UNSPSC 11	43172015
UNSPSC 12.01	43201404
UNSPSC 13.2	43201404

I/O module - IB ST 24 BAI 2/SF - 2722771

Approvals

Approvals

Approvals

GOST

Ex Approvals

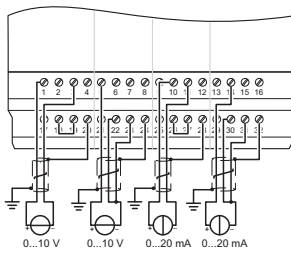
Approvals submitted

Approval details

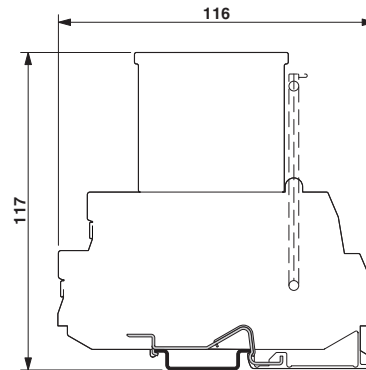


Drawings

Connection diagram



Dimensioned drawing



单击下面可查看定价，库存，交付和生命周期等信息

[>>Phoenix Contact \(菲尼克斯\)](#)