

Cable gland - G-ESIS-M25-M68N-NEPDS-S - 1415126

Please be informed that the data shown in this PDF Document is generated from our Online Catalog. Please find the complete data in the user's documentation. Our General Terms of Use for Downloads are valid (<http://phoenixcontact.com/download>)



Cable gland, Cable gland material: Nickel-plated brass, Application: Ex, External cable diameter 10 mm ... 17 mm, Shielding: No, Connecting thread: M25, Color: silver

The figure shows the G-ESIS-M25-M68N-NEPDS-S version



Key Commercial Data

Packing unit	1 pc
Minimum order quantity	10 pc
Custom tariff number	74199990
Country of origin	Germany

Technical data

Dimensions

Length	38 mm
Length without connecting thread	26 mm
Connecting thread diameter	25 mm
Wrench size, union nut	29 mm
Wrench size, support	29 mm
Hexagon angular dimension GRP	32 mm
Length of the connecting thread	12 mm
External cable diameter	10 mm ... 17 mm

Ambient conditions

Degree of protection	IP66
	IP68 (5 bar / 0.5 h)
Ambient temperature (operation)	-40 °C ... 75 °C

Cable gland - G-ESIS-M25-M68N-NEPDS-S - 1415126

Technical data

General

Cable gland material	Nickel-plated brass
Seal material	EPDM
O-ring material	EPDM
Thread type on connection side	M25
Torque	10 Nm (Support)
Tightening torque, union nut	10.00 Nm
Color	silver
ATEX	II 2 G/D EEx e II IP68
IECEX	Ex e IIC Gb, Ex tb IIIC Db

Classifications

eCl@ss

eCl@ss 5.1	27149109
eCl@ss 6.0	27149109

ETIM

ETIM 5.0	EC000441
----------	----------

Approvals

Approvals

Approvals

UL Recognized / cUL Recognized / GL / cULus Recognized

Ex Approvals

ATEX / IECEX / EAC Ex

Approvals submitted

Approval details

UL Recognized

Cable gland - G-ESIS-M25-M68N-NEPDS-S - 1415126

Approvals

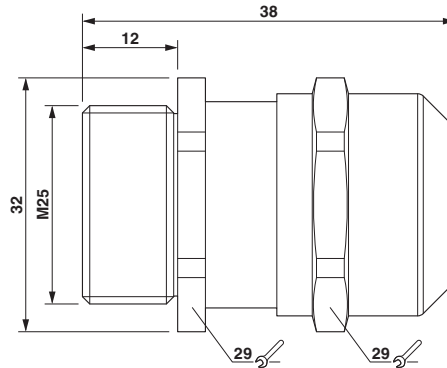
cUL Recognized

GL

cULus Recognized

Drawings

Dimensional drawing



单击下面可查看定价，库存，交付和生命周期等信息

[>>Phoenix Contact\(菲尼克斯\)](#)