

SMS relay - TC MOBILE I/O X200 AC - 2903806

Please be informed that the data shown in this PDF Document is generated from our Online Catalog. Please find the complete data in the user's documentation. Our General Terms of Use for Downloads are valid (<http://phoenixcontact.com/download>)



Successor to the SMS relay: monitor digital values via the mobile communication network and switch relay outputs remotely. Communication is via SMS or GPRS (e-mail). Supply voltage range of 93 V ... 250 V AC.

Product Description

The compact TC MOBILE I/O X200 AC signaling system is the successor to the PSI-MODEM-SMS-RELAY/6 DI/4DO/AC SMS relay (Order No. 2313513) and is used to monitor analog and digital values via the mobile communication network and switch relay outputs remotely. A USB connection to a computer and a web browser is all that is needed for configuration. The device features numerous helpful software functions, such as mobile communication diagnostics, sending of log books via e-mail, and different user roles.

Product Features

- Notification via SMS on change of status at input
- SMS status query of all inputs and outputs
- SMS relay for remote control of outputs
- Alarm generation on voltage failure via SMS
- GSM mobile phone network: 850, 900, 1800, and 1900 MHz
- Switching of outputs for a predefined time
- Communication via SMS and e-mail
- Configuration via USB and web browser
- Compact design: 4 pitches (DIN 43880)



Key Commercial Data

Packing unit	1 pc
Weight per Piece (excluding packing)	260.0 g
Custom tariff number	85176200
Country of origin	Germany

Technical data

Note

SMS relay - TC MOBILE I/O X200 AC - 2903806

Technical data

Note

Utilization restriction	EMC: class A product, see manufacturer's declaration in the download area
-------------------------	---

Dimensions

Width	72 mm
Height	90 mm
Depth	62 mm

Ambient conditions

Ambient temperature (operation)	-25 °C ... 70 °C (for derating, see technical documentation)
Ambient temperature (storage/transport)	-40 °C ... 85 °C
Permissible humidity (operation)	0 % ... 95 %
Altitude	2000 m
Degree of protection	IP20

General

Standards/regulations	EN 50121-4
Electromagnetic compatibility	Conformance with EMC Directive 2004/108/EC
Net weight	248 g
Housing material	Polycarbonate
MTTF	144 Years (SN 29500 standard, temperature 25°C, operating cycle 21 % (5 days a week, 8 hours a day))
	301 Years (SN 29500 standard, temperature 40 °C, operating cycle 34.25 % (5 days a week, 12 hours a day))
	743 Years (SN 29500 standard, temperature 40°C, operating cycle 100 % (7 days a week, 24 hours a day))
Conformance	CE-compliant
ATEX	# II 3 G Ex nA nC IIC T4 Gc X (Please follow the special installation instructions in the documentation!)

Power supply

Supply voltage range	93 V AC ... 250 V AC (47.5 Hz ... 63 Hz)
Typical current consumption	30 mA (230 V AC)
	10 mA (stand by)

Serial interface

Interface 1	USB 2.0
Connection method	Mini-USB type B, 5-pos.
Transmission length	≤ 3 m (only for configuration and diagnostics)

Radio interface

Interface description	GSM
-----------------------	-----

SMS relay - TC MOBILE I/O X200 AC - 2903806

Technical data

Radio interface

Frequency	850 MHz (2 W (EGSM))
	900 MHz (2 W (EGSM))
	1800 MHz (1 W (EGSM))
	1900 MHz (1 W (EGSM))
EDGE	Multislot Class 10

Digital outputs

Output name	Relay output
Number of outputs	4
Contact type	N/O contact
Minimum switching voltage	5 V
Maximum switching voltage	250 V AC
	125 V DC
Limiting continuous current	5 A
Switching capacity	750 VA
Electrical service life	150000 cycles (5 A / 30 V DC)
	150000 cycles (3 A / 120 V AC)
	30000 cycles (5 A/250 V AC)

Digital inputs

Description of the input	Digital input
Number of inputs	4
Switching level "0" signal	0 V AC ... 50 V AC
Switching level "1" signal	90 V AC ... 250 V AC

Classifications

eCl@ss

eCl@ss 4.0	27250312
eCl@ss 4.1	27250312
eCl@ss 5.0	27242208
eCl@ss 5.1	27242208
eCl@ss 6.0	27242208
eCl@ss 7.0	27242208
eCl@ss 8.0	19179290

ETIM

ETIM 3.0	EC000310
----------	----------

SMS relay - TC MOBILE I/O X200 AC - 2903806

Classifications

ETIM

ETIM 4.0	EC000310
ETIM 5.0	EC001604

UNSPSC

UNSPSC 6.01	30211506
UNSPSC 7.0901	39121008
UNSPSC 11	39121008
UNSPSC 12.01	39121008
UNSPSC 13.2	43201553

Approvals

Approvals

Approvals

UL Listed / cUL Listed / cULus Listed

Ex Approvals

ATEX

Approvals submitted

Approval details

UL Listed

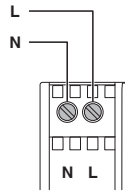
cUL Listed

cULus Listed

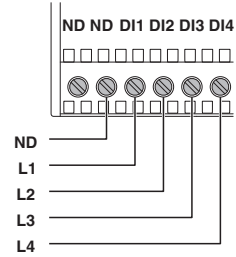
Drawings

SMS relay - TC MOBILE I/O X200 AC - 2903806

Connection diagram

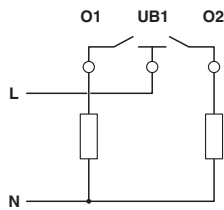


Connection diagram



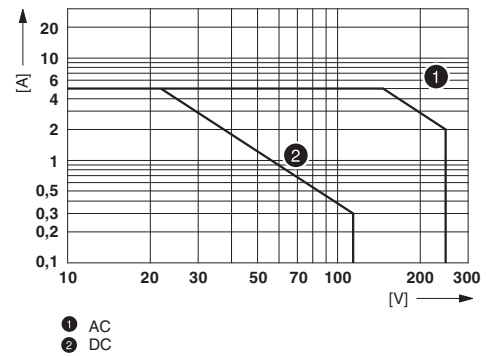
Connecting the supply voltage

Connection diagram



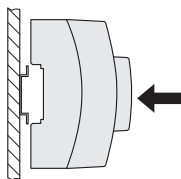
Floating relay contacts

Diagram



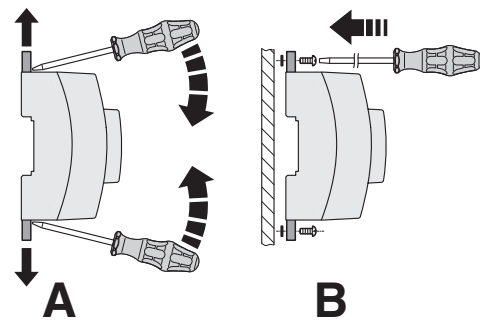
Relay load curve - ohmic load

Schematic diagram



DIN rail mounting

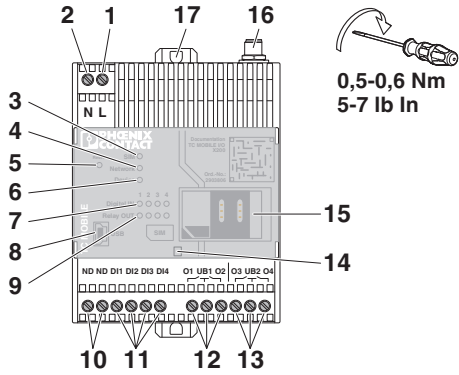
Schematic diagram



Wall mounting

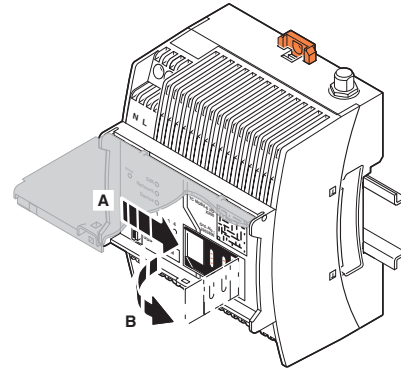
SMS relay - TC MOBILE I/O X200 AC - 2903806

Schematic diagram



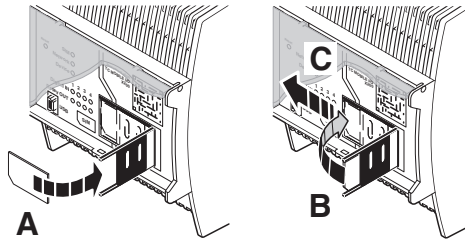
Front view

Schematic diagram



Insert the SIM card

Schematic diagram



Insert the SIM card

单击下面可查看定价，库存，交付和生命周期等信息

[>>Phoenix Contact\(菲尼克斯\)](#)