

## POWER-SUBCON PSC 1,5/...

---

POWER-SUBCON combines the principle of the MINI-COMBICON plug connectors with the good shielding features and the geometry of the D-SUB connectors.

The original 9-position D-SUB connector turns into a 3-position POWER-SUBCON, and there are 5 screw connections in the 15-position D-SUB connector. Both connector types can be inserted into standard D-SUB housings.

The high current carrying capacity of 8 A for a rated voltage of 250 V is a result of the robust MINI-COMBICON screw connection.

The headers are optionally available with a pre-mating ground contact for both numbers of positions.

Furthermore, a variant with integrated filter capacitor resp. varistor is available (see also part catalog 7, p.p. 82/83)



**POWER-SUBCON  
PSC 1,5/...**



**PSC 1,5/...-F**  
POWER-SUBCON plug

**Note:**  
Only actuate MINI-COMBICON plug connectors when under no load condition. If for operating reasons small loads must be switched, experimental values are available on request.

	(IEC) [mm <sup>2</sup> ]	rigid solid	flexible stranded	AWG	I [A]	U [V]
Connection data	0.14-1.5	0.14-1.5	28-16	8	250 <sup>1)</sup>	
1) For applications in metal or metal-plated housings, the protection class "safety extra-low voltage" must be used.						



Description	No. of positions
<b>POWER-SUBCON plugs,</b> shielded, color: green	3 5
<b>POWER-SUBCON cable housing</b>	3 5

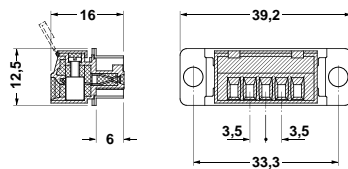
Type	Order No.	Pcs./Pkt.
<b>PSC 1,5/3-F</b>	<b>18 41 90 9</b>	50
<b>PSC 1,5/5-F</b>	<b>18 41 91 2</b>	
<b>SCT-D-SUB 9-KG</b>	<b>27 49 55 0</b>	10
<b>SCT-D-SUB 15-KG</b>	<b>27 49 56 3</b>	

**Approval data (UL and CSA)**

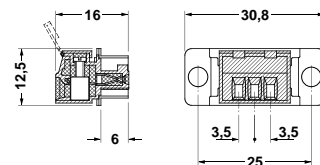
Nominal voltage / current / conductor sizes	UL: [V]/[A]/AWG
	CSA: [V]/[A]/AWG

300 / 8 / 30-14
300 / 8 / 28-16

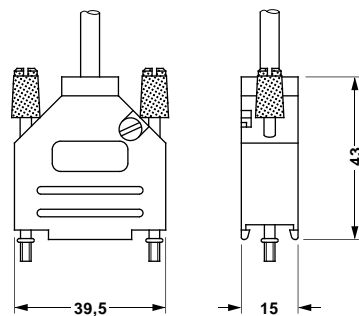
PSC 1,5/5-F



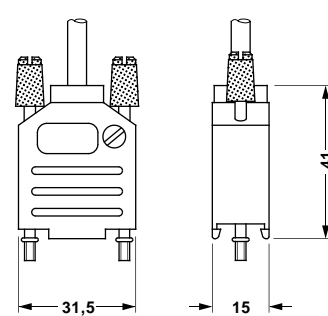
PSC 1,5/3-F



SCT-D-SUB 15 KG



SCT-D-SUB 9-KG



**POWER-SUBCON**  
**PSC 1,5/...**

Housing cutout dimensions PSC 1,5/...-M(-PE)

No. of pos.	a [mm]	b [mm]
3	20.5±0,13	25.0±0.13
5	28.8±0,13	33.3±0.13



**PSC 1,5/...-M**  
POWER-SUBCON header

Connection data	I [A]	U [V]
	8	250 <sup>1)</sup>

**Note:**

Only actuate MINI-COMBICON plug connectors when under no load condition. If for operating reasons small loads must be switched, experimental values are available on request.

Description	No. of positions
<b>POWER-SUBCON header,</b> shielded, color: green, for walls up to 2.0 mm thick or 4.5 mm thick with distance bolts SW 5 L5/4-40 UNC-M 3 x 8	3 5
<b>POWER-SUBCON header,</b> as above, however, with capacitive ground connection	3 5

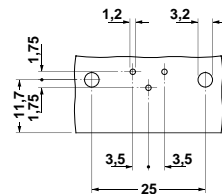
**Approval data (UL and CSA)**

Nominal voltage / current / conductor sizes	UL: [V]/[A]/AWG
	CSA: [V]/[A]/AWG

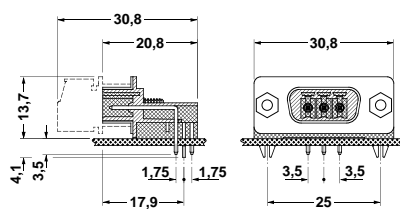


Typ	Artikel-Nr.	Stck./Pck.
<b>PSC 1,5/3-M</b>	<b>18 41 85 7</b>	50
<b>PSC 1,5/5-M</b>	<b>18 41 89 9</b>	50
<b>PSC 1,5/3-M-PE</b>	<b>18 48 12 2</b>	50
<b>PSC 1,5/5-M-PE</b>	<b>18 48 13 5</b>	50

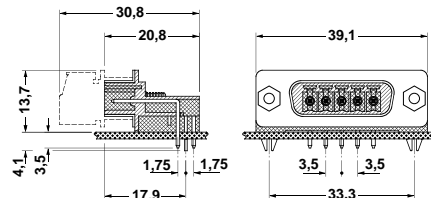
Drilling diagram PSC 1,5/3-M(-PE)



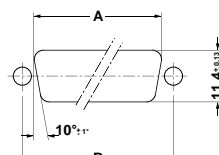
PSC 1,5/3-M



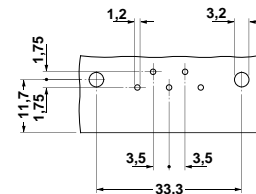
PSC 1,5/5-M



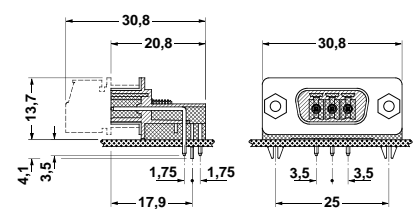
Panel cutout acc. to DIN 41 652-3  
for walls up to 2,0 mm thick



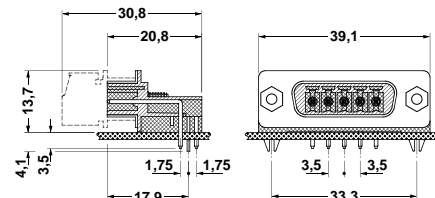
Drilling diagram PSC 1,5/5-M(-PE)



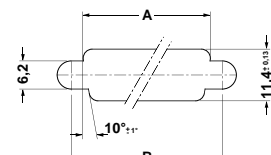
PSC 1,5/3-M-PE



PSC 1,5/5-M-PE



Panel cutout acc. to DIN 41 652-3  
for walls up to 4,5 mm thick



单击下面可查看定价，库存，交付和生命周期等信息

[>>Phoenix Contact\(菲尼克斯\)](#)