

## Solid-state relay module - EMG 17-OV-230AC/ 48DC/2 - 2942823

Please be informed that the data shown in this PDF Document is generated from our Online Catalog. Please find the complete data in the user's documentation. Our General Terms of Use for Downloads are valid (<http://phoenixcontact.com/download>)



Solid-state relay interface designed to prevent interference on the control side, input: 230 V AC, output: 48 V DC/2 A

The illustration shows version EMG 17-OV- 24DC/ 48DC/2

### Product Features

- Use of AC output cards, resulting in residual AC currents
- Resistant to interference currents
- Applications with long control lines
- High relay release voltage



### Key commercial data

Packing unit	1 pc
Weight per Piece (excluding packing)	95.89 GRM
Custom tariff number	85364900
Country of origin	Germany

### Technical data

#### Dimensions

Width	17.5 mm
Height	75 mm
Depth	102 mm

#### Ambient conditions

Ambient temperature (operation)	-10 °C ... 55 °C
Ambient temperature (storage/transport)	-10 °C ... 70 °C
Degree of protection	IP20

# Solid-state relay module - EMG 17-OV-230AC/ 48DC/2 - 2942823

## Technical data

### Input data

Nominal input voltage $U_N$	230 V AC
Input voltage range in reference to $U_N$	0.8 ... 1.1
Switching threshold "0" signal, voltage	$\leq 155$ V AC
Switching threshold "1" signal voltage	$\geq 180$ V AC
Typical input current at $U_N$	9 mA
Typical response time	25 ms (at $U_N = 24$ V AC)
Typical turn-off time	35 ms (at $U_N = 24$ V AC)
Status display	Yellow LED
Type of protection	Protection against polarity reversal
Protective circuit/component	Polarity protection diode
Transmission frequency	3 Hz

### Output data

Output nominal voltage	48 V DC
Output voltage range	12 V DC ... 48 V DC
Limiting continuous current	2 A (see derating curve)
Maximum inrush current	5 A ( $t = 1$ s)
Peak offstate voltage	60 V DC (Collector-emitter reverse voltage)
Voltage drop at max. limiting continuous current	1.1 V
Output circuit	3-conductor, ground-referenced
Type of protection	Protection against polarity reversal
	Surge protection
Protective circuit/component	Polarity protection diode
	Suppressor diode

### Connection data

Connection method	Screw connection
Stripping length	8 mm
Screw thread	M3
Conductor cross section solid min.	0.2 mm <sup>2</sup>
Conductor cross section solid max.	4 mm <sup>2</sup>
Conductor cross section stranded min.	0.2 mm <sup>2</sup>
Conductor cross section stranded max.	2.5 mm <sup>2</sup>
Conductor cross section AWG/kcmil min.	24
Conductor cross section AWG/kcmil max	12

### General

Test voltage input/output	3.5 kV AC
	3.5 kV AC

# Solid-state relay module - EMG 17-OV-230AC/ 48DC/2 - 2942823

## Technical data

### General

Assembly instructions	Mounted in rows with zero spacing: Horizontal/not in rows: Any
Operating mode	100% operating factor
Inflammability class according to UL 94	V0
Standards/regulations	IEC 60664
	EN 50178
	IEC 62103
Rated surge voltage / insulation	Basic insulation
Pollution degree	2
Surge voltage category	III

## Classifications

### eCl@ss

eCl@ss 4.0	27371102
eCl@ss 4.1	27371102
eCl@ss 5.0	27371001
eCl@ss 5.1	27371001
eCl@ss 6.0	27371001
eCl@ss 7.0	27371001
eCl@ss 8.0	27371001

### ETIM

ETIM 2.0	EC001504
ETIM 3.0	EC001504
ETIM 4.0	EC001504
ETIM 5.0	EC001504

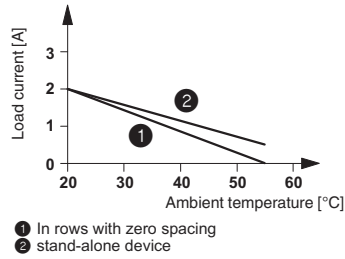
### UNSPSC

UNSPSC 6.01	30211916
UNSPSC 7.0901	39121542
UNSPSC 11	39121542
UNSPSC 12.01	39121542
UNSPSC 13.2	39121542

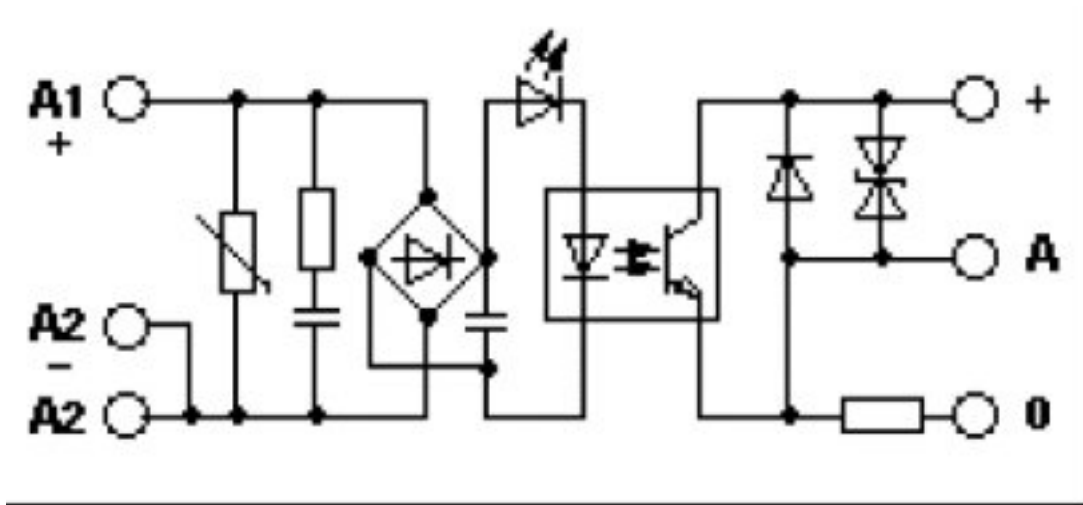
## Drawings

# Solid-state relay module - EMG 17-OV-230AC/ 48DC/2 - 2942823

Diagram



Circuit diagram



单击下面可查看定价，库存，交付和生命周期等信息

[>>Phoenix Contact \(菲尼克斯\)](#)