


Module - UM-RH 1004/4X21/G 24 - 2955098

Please be informed that the data shown in this PDF Document is generated from our Online Catalog. Please find the complete data in the user's documentation. Our General Terms of Use for Downloads are valid (<http://download.phoenixcontact.com>)

Universal module, with Hartmann & Braun plug-in base for relay 1004, contact: 4 PDTs, with light indicator, damping and polarity protection diodes, input voltage 24-48 V DC



Key commercial data

Packing unit	1 PCE
GTIN	 4 017918 085254
Weight per Piece (excluding packing)	111.34 GRM
Custom tariff number	85364190
Country of origin	Germany

Classifications

eCl@ss

eCl@ss 4.0	27371102
eCl@ss 4.1	27371102
eCl@ss 5.0	27371001
eCl@ss 5.1	27371001
eCl@ss 6.0	27371001
eCl@ss 7.0	27371001
eCl@ss 8.0	27371001

ETIM

ETIM 2.0	EC000196
ETIM 3.0	EC000196
ETIM 4.0	EC000196
ETIM 5.0	EC000196

Module - UM-RH 1004/4X21/G 24 - 2955098

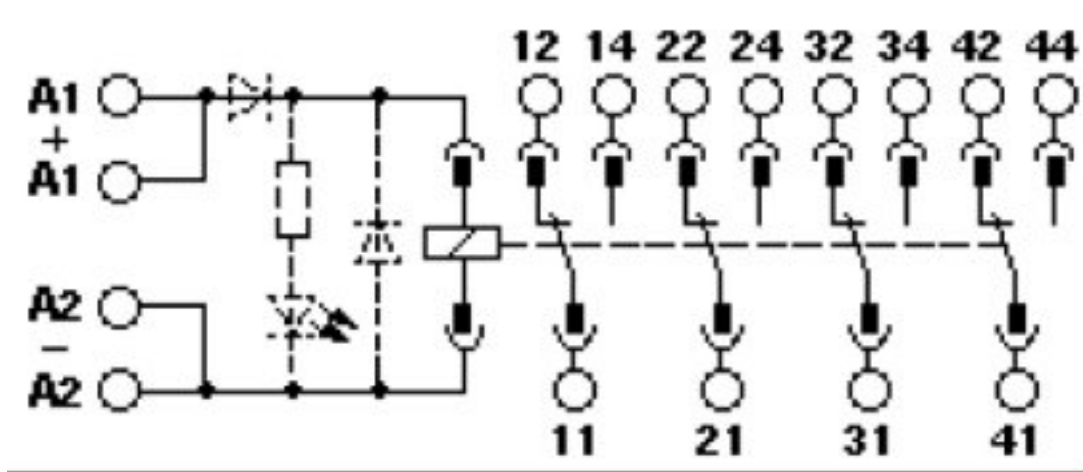
Classifications

UNSPSC

UNSPSC 6.01	30211916
UNSPSC 7.0901	39121515
UNSPSC 11	39121515
UNSPSC 12.01	39121515
UNSPSC 13.2	39121515

Drawings

Circuit diagram



单击下面可查看定价，库存，交付和生命周期等信息

[>>Phoenix Contact \(菲尼克斯\)](#)