

## Plug-in module - LV- 48- 60UC - 2833725

Please be informed that the data shown in this PDF Document is generated from our Online Catalog. Please find the complete data in the user's documentation. Our General Terms of Use for Downloads are valid (<http://download.phoenixcontact.com>)



Plug-in module, for mounting on PR1 and PR2, with varistor and yellow LED, input voltage: 48-60 V AC/DC  $\pm$  20%

### Product Features

- Mechanical coding to protect against mismatching
- Attenuation of reverse voltage induced in coil



### Key commercial data

Packing unit	1 PCE
Minimum order quantity	10 PCE
Weight per Piece (excluding packing)	3.26 GRM
Custom tariff number	85366990
Country of origin	Italy

### Technical data

Product type	Plug-in module
Approval	UL Recognized
	cUL Recognized
	cULus Recognized
Design	PR1
	PR2
Input voltage	48 V AC/DC ... 60 V AC/DC

### Classifications

eCl@ss

eCl@ss 4.0	27371190
------------	----------

# Plug-in module - LV- 48- 60UC - 2833725

## Classifications

### eCl@ss

eCl@ss 4.1	27371190
eCl@ss 5.0	27371692
eCl@ss 5.1	27371692
eCl@ss 6.0	27371603
eCl@ss 7.0	27371603
eCl@ss 8.0	27371603

### ETIM

ETIM 2.0	EC001456
ETIM 3.0	EC001456
ETIM 4.0	EC001456
ETIM 5.0	EC001456

### UNSPSC

UNSPSC 6.01	30211917
UNSPSC 7.0901	39121516
UNSPSC 11	39121516
UNSPSC 12.01	39121516
UNSPSC 13.2	39121516

## Approvals

### Approvals

---

#### Approvals

UL Recognized / cUL Recognized / cULus Recognized

---

#### Ex Approvals

---

#### Approvals submitted

---

### Approval details

UL Recognized 
---

## Plug-in module - LV- 48- 60UC - 2833725

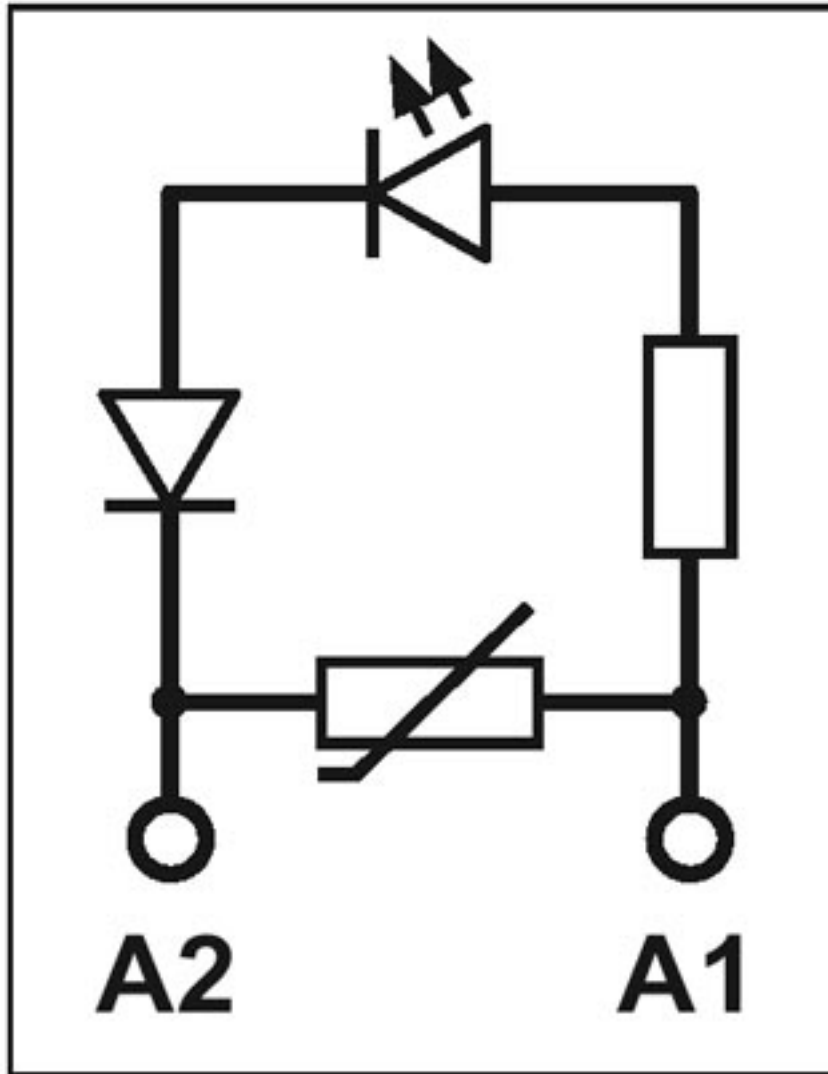
### Approvals



### Drawings

# Plug-in module - LV- 48- 60UC - 2833725

Circuit diagram



单击下面可查看定价，库存，交付和生命周期等信息

[>>Phoenix Contact\(菲尼克斯\)](#)