

## Electronic housing - ME 22,5 UTG BU - 2908029

Please be informed that the data shown in this PDF Document is generated from our Online Catalog. Please find the complete data in the user's documentation. Our General Terms of Use for Downloads are valid (<http://download.phoenixcontact.com>)



Lower part of housing closed, fully assembled, with metal foot catch.

Illustration shows fully mounted versions of the electronic housing, in green

### Product Features

- Tool-free mounting
- Low design width with a high number of positions
- Large assembly area
- Recessed labeling areas
- Same PCB geometry for all design widths
- Inflammability class V0 according to UL 94
- Fast mounting on DIN rails according to EN 60715
- Material and part identification embossed on the housing (recyclability)
- Cost savings thanks to easy device production
- Functional earth ground contact (EMC) integrated in the housing base
- Electronic components can be partially removed
- Optional BUS connection integrated in the housing, for either parallel or serial contacting
- Metal foot catch



### Key commercial data

Packing unit	1 1
Weight per Piece (excluding packing)	49.07 GRM
Custom tariff number	85472000
Country of origin	Germany

# Electronic housing - ME 22,5 UTG BU - 2908029

## Classifications

### eCl@ss

eCl@ss 4.0	27180401
eCl@ss 4.1	27180401
eCl@ss 5.0	27180506
eCl@ss 5.1	27180506
eCl@ss 6.0	27180802
eCl@ss 7.0	27182702
eCl@ss 8.0	27182702

### ETIM

ETIM 2.0	EC001031
ETIM 3.0	EC001031
ETIM 4.0	EC001031
ETIM 5.0	EC001031

### UNSPSC

UNSPSC 6.01	31261501
UNSPSC 7.0901	31261501
UNSPSC 11	31261501
UNSPSC 12.01	31261501
UNSPSC 13.2	31261501

## Approvals

### Approvals

---

Approvals

UL Recognized

---

Ex Approvals

---


Approvals submitted

---

Approval details

## Electronic housing - ME 22,5 UTG BU - 2908029

### Approvals

UL Recognized 

### Accessories

#### Accessories

#### Coding element

Coding star - CR-MSTB - 1734401



Coding section, inserted into the recess in the header or the inverted plug, red insulating material

Coding profile - CP-MSTB - 1734634



Coding profile, is inserted into the slot on the plug or inverted header, red insulating material

### Component housing center part

Electronic housing - ME 45 UTM GN - 2853404



Intermediate element for modular extension of the volume of the housing in the pitch. The open intermediate element is 22.5 mm wide.

Electronic housing - ME 45 UTM G GN - 2853417



Intermediate element for modular extension of the volume of the housing in the pitch. The closed intermediate element is 22.5 mm wide.

## Electronic housing - ME 22,5 UTG BU - 2908029

### Accessories

#### Ground contact

Electronic housing - ME FE-CONTACT - 2908294



Functional earth ground contact, for intermediate elements.

---

#### Mounting material

Components of electronic housing - ME-SAS - 2853899



Shield connection clamp for printed circuit terminal block

---

Electronic housing - ME LPZS - 2906911



PCB stop, for soldering onto PCB

---

Electronic housing - ME MF 17,5 - 2908281



Metal foot catch, for intermediate elements.

---

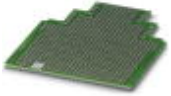
PCB

## Electronic housing - ME 22,5 UTG BU - 2908029

### Accessories

Electronic housing - ME LP - 2906908

PCB, for custom fitting, with contact to DIN rail (EN 60715)



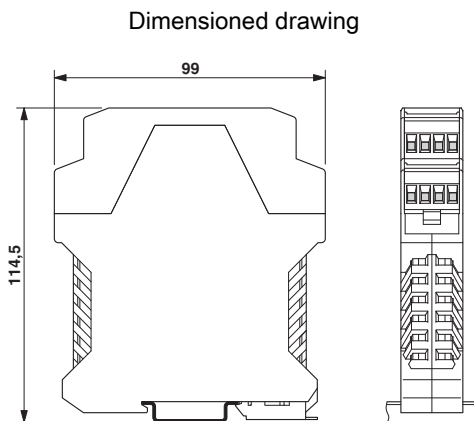
Electronic housing - ME B-22,5 MSTBO BU - 2907813

Filler plugs, for unoccupied terminal points

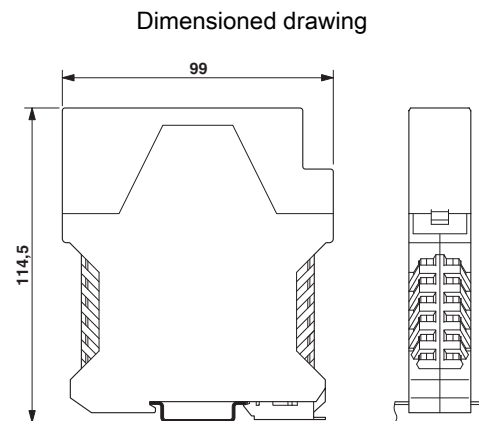
Electronic housing - ME B-22,5 MKDSO BU - 2908359

Filler plugs, for unoccupied terminal points

### Drawings



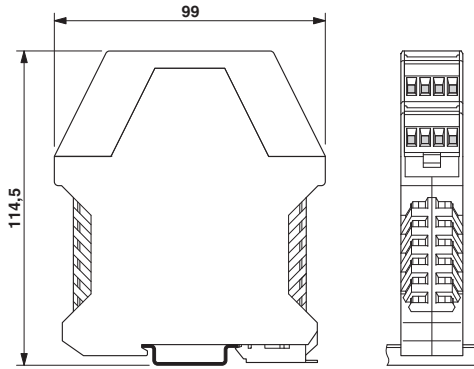
Dimensions of the electronic housing ME... with double-level upper part



Dimensions of the electronic housing ME... with single-level upper part

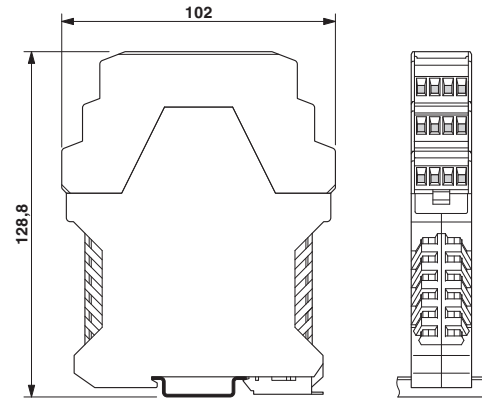
# Electronic housing - ME 22,5 UTG BU - 2908029

Dimensioned drawing



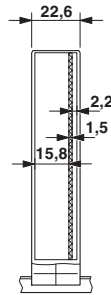
Dimensions of the electronic housing ME... with double-level upper part

Dimensioned drawing



Dimensional drawing of the ME... printed circuit board if the triple-level upper part is used

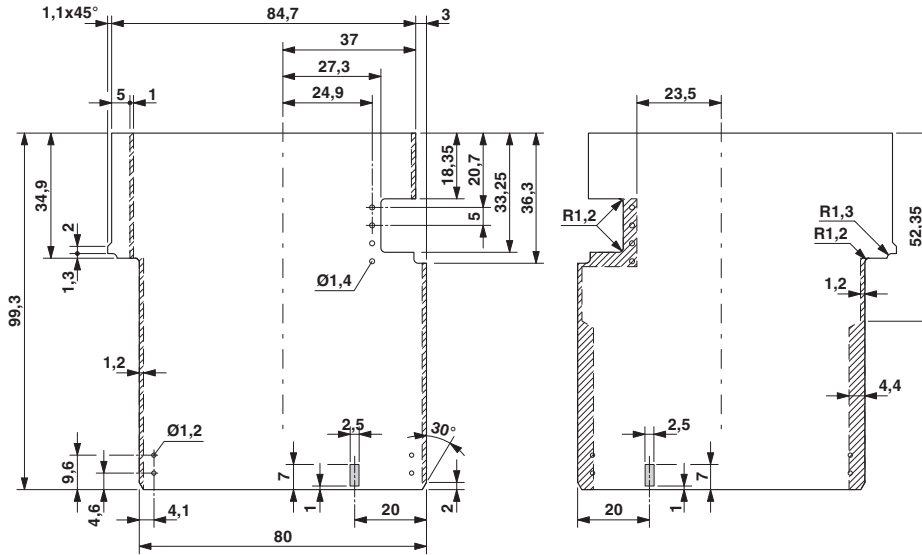
Dimensioned drawing



Inner housing dimensions, electronic housing ME 22.5 ...

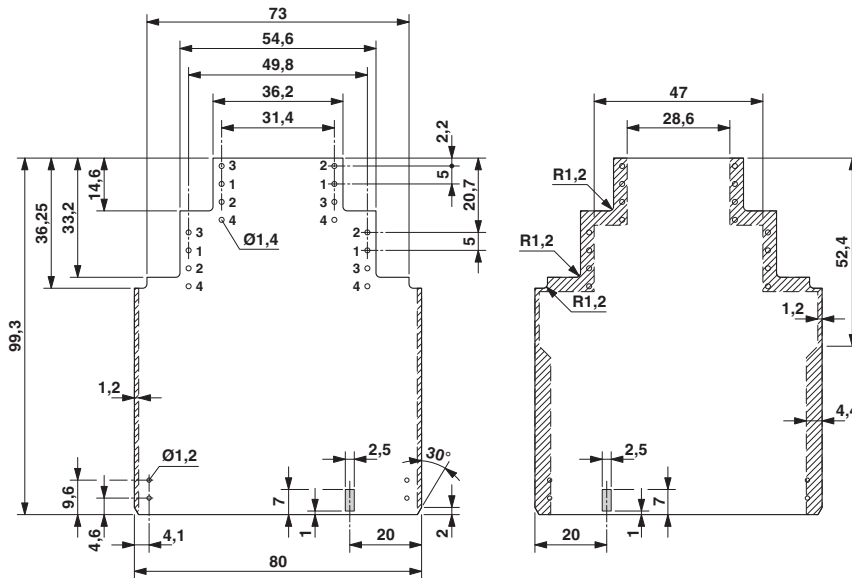
# Electronic housing - ME 22,5 UTG BU - 2908029

Dimensioned drawing



Dimensional drawing of the ME... printed circuit board if the single level upper part is used

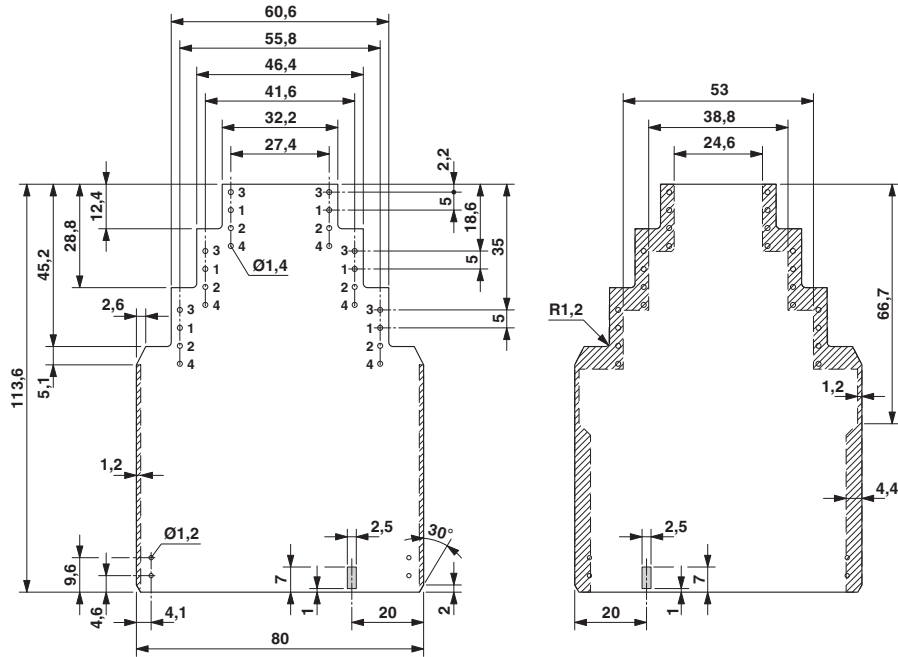
Dimensioned drawing



Dimensional drawing of the ME... printed circuit board if the double level upper part is used

# Electronic housing - ME 22,5 UTG BU - 2908029

Dimensioned drawing



Dimensional drawing of the ME... printed circuit board if the triple-level upper part is used



单击下面可查看定价，库存，交付和生命周期等信息

[>>Phoenix Contact\(菲尼克斯\)](#)