

Electronic housing - ME 22,5 F-UTG GN - 2854144

Please be informed that the data shown in this PDF Document is generated from our Online Catalog. Please find the complete data in the user's documentation. Our General Terms of Use for Downloads are valid (<http://download.phoenixcontact.com>)



Housing base, with metal foot catch, fully preassembled, housing closed

Product Features

- Tool-free mounting
- Large assembly area
- Low design width with a high number of positions
- Recessed labeling areas
- Same PCB geometry for all design widths
- Inflammability class V0 according to UL 94
- Fast mounting on DIN rails according to EN 60715
- Material and part identification embossed on the housing (recyclability)
- Cost savings thanks to easy device production
- Electronic components can be partially removed
- Functional earth ground contact (EMC) integrated in the housing base
- Metal foot catch
- Optional BUS connection integrated in the housing, for either parallel or serial contacting



Key commercial data

Packing unit	1 1
Minimum order quantity	10 1
Weight per Piece (excluding packing)	39.83 GRM
Custom tariff number	85472000
Country of origin	Germany

Technical data

General

Housing type	Component housing
--------------	-------------------

Electronic housing - ME 22,5 F-UTG GN - 2854144

Technical data

General

Housing material	Polyamide
Color	green

Ambient conditions

Ambient temperature (operation)	-40 °C ... 105 °C
---------------------------------	-------------------

Dimensions

Length	99 mm
Constructional height	106 mm
Width	22.5 mm

Technical data

Inflammability class according to UL 94	V0
Power dissipation at 20°C in the horizontal mounting position	5.5 W 9.6 W
Number of positions	16
	24

Classifications

eCl@ss

eCl@ss 4.0	27180401
eCl@ss 4.1	27180401
eCl@ss 5.0	27180506
eCl@ss 5.1	27180506
eCl@ss 6.0	27180802
eCl@ss 7.0	27182702
eCl@ss 8.0	27182702

ETIM

ETIM 2.0	EC001031
ETIM 3.0	EC001031
ETIM 4.0	EC001031
ETIM 5.0	EC001031

UNSPSC

UNSPSC 6.01	31261501
UNSPSC 7.0901	31261501
UNSPSC 11	31261501
UNSPSC 12.01	31261501

Electronic housing - ME 22,5 F-UTG GN - 2854144

Classifications

UNSPSC

UNSPSC 13.2	31261501
-------------	----------

Approvals

Approvals

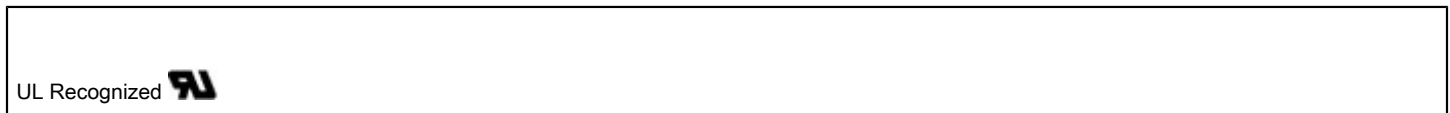
Approvals

UL Recognized

Ex Approvals

Approvals submitted

Approval details



Accessories

Accessories

Coding element

Coding star - CR-MSTB - 1734401



Coding section, inserted into the recess in the header or the inverted plug, red insulating material

Coding profile - CP-MSTB - 1734634



Coding profile, is inserted into the slot on the plug or inverted header, red insulating material

Electronic housing - ME 22,5 F-UTG GN - 2854144

Accessories

Filler plug

Electronic housing - ME B-22,5 MKDSO GN - 2907143



Filler plugs, for unoccupied terminal points

Electronic housing - ME B-22,5 MSTBO GN - 2907156



Filler plugs, for unoccupied terminal points

Electronic housing - ME B-12,5 3MSTBO GN - 2709176



Filler plugs, for unoccupied terminal points

Electronic housing - ME B-22,5 MKDSO GN - 2907143



Filler plugs, for unoccupied terminal points

Electronic housing - ME B-22,5 MSTBO GN - 2907156



Filler plugs, for unoccupied terminal points

Electronic housing - ME 22,5 F-UTG GN - 2854144

Accessories

Electronic housing - ME B-KA - 2854173



Terminal cover, 1 strip covers up to 12 terminal points, for ME-BUS terminal opening, (male side)

Electronic housing - ME B-SA/NS 35 - 2935959



Terminal cover, 1 strip covers up to 12 terminal points, for ME-BUS male side, (female side)

Mounting material

Components of electronic housing - ME-SAS - 2853899



Shield connection clamp for printed circuit terminal block

Electronic housing - ME LPZS - 2906911



PCB stop, for soldering onto PCB

Printed circuit board housing

Housing - MSTBO 2,5/ 4-G1R - 1861073



Header, Nominal current: 12 A, Rated voltage (III/2): 320 V, Number of positions: 4, Pitch: 5 mm, Assembly: Soldering, Article with lateral pin exit

Electronic housing - ME 22,5 F-UTG GN - 2854144

Accessories

Base strip - MSTBO 2,5/ 4-G1L - 1861060



Header, Nominal current: 12 A, Rated voltage (III/2): 320 V, Number of positions: 4, Pitch: 5 mm, Assembly: Soldering, Article with lateral pin exit

Required add-on products

Electronic housing - ME 22,5 OT-1MSTBO GN - 2709558



Upper part of housing, for COMBICON connection, single-level

Electronic housing - ME 22,5 OT-MSTBO GN - 2907169



Upper part of housing, for COMBICON connection, double-level

Electronic housing - ME 22,5 OT-MSTBO SET - 2907444



Housing upper part, complete with 4 pairs of COMBICON headers and plugs

Electronic housing - ME 22,5 OT-MKDSO GN - 2907172



Housing upper part, for printed circuit terminal block connection

Electronic housing - ME 22,5 F-UTG GN - 2854144

Accessories

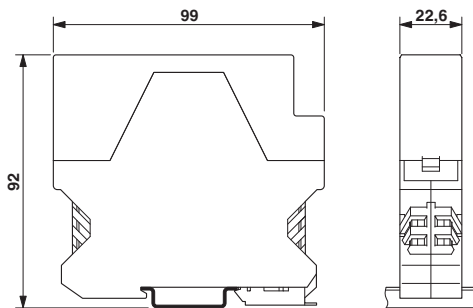
Electronic housing - ME 22,5 OT-MKDSO SET - 2907473

Housing upper part, complete with PCB termination blocks for full equipping. 16-pos., housing width: 22.5 mm



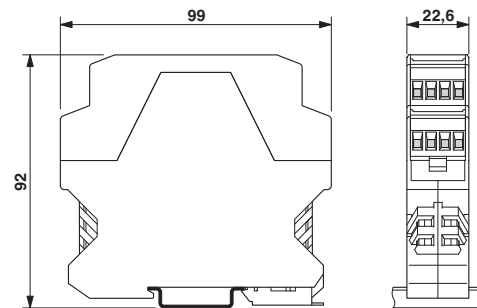
Drawings

Dimensioned drawing



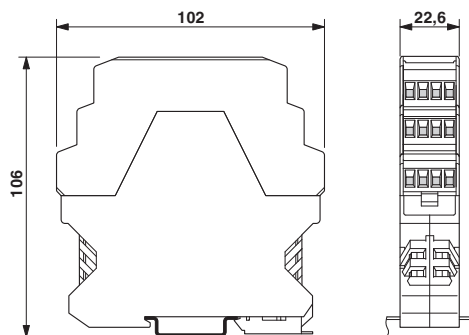
Dimensions of the electronic housing ME 22.5 flat... with single-level upper part

Dimensioned drawing



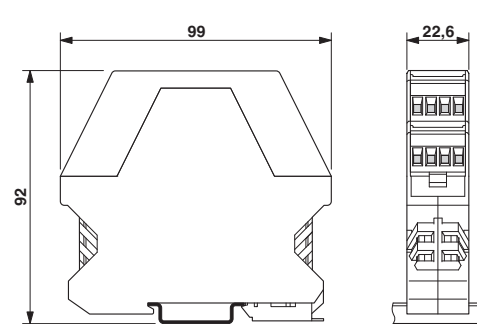
Dimensions of the electronic housing ME 22.5 flat... with double-level upper part

Dimensioned drawing



Dimensions of the electronic housing ME 22.5 flat... with triple-level upper part

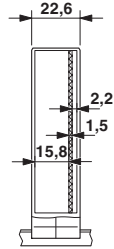
Dimensioned drawing



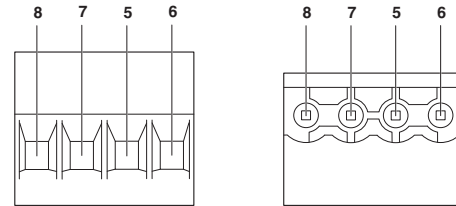
Dimensions of the electronic housing ME 22.5 flat... with double-level upper part

Electronic housing - ME 22,5 F-UTG GN - 2854144

Dimensioned drawing



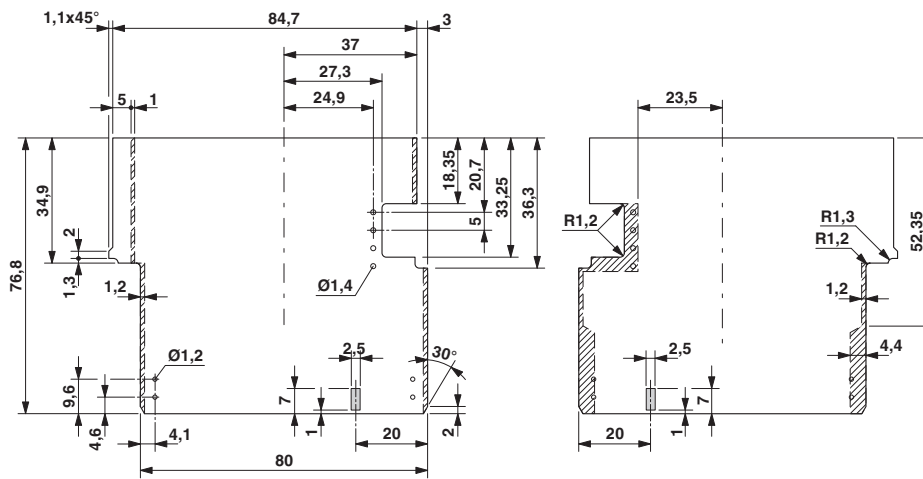
Schematic diagram



Internal housing dimensions, electronics housing ME 22.5 flat...

Pin assignment right

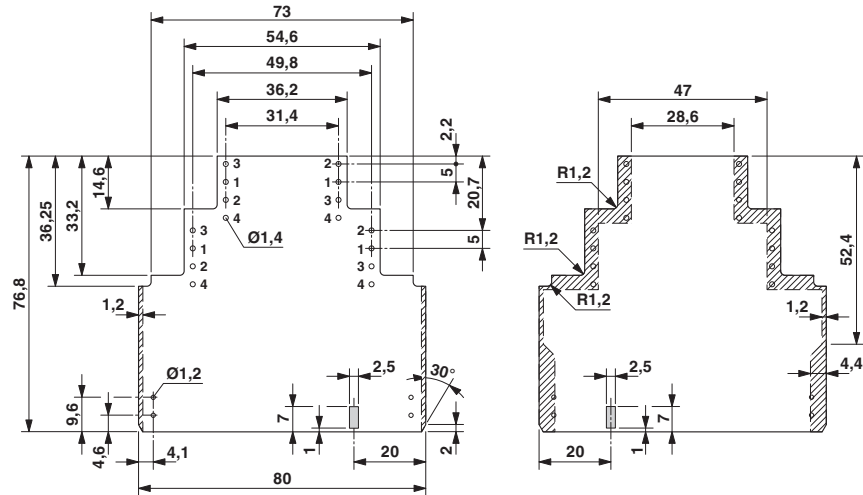
Dimensioned drawing



Dimensional drawing of the ME 22.5 flat... printed circuit board if the single-level upper part is used

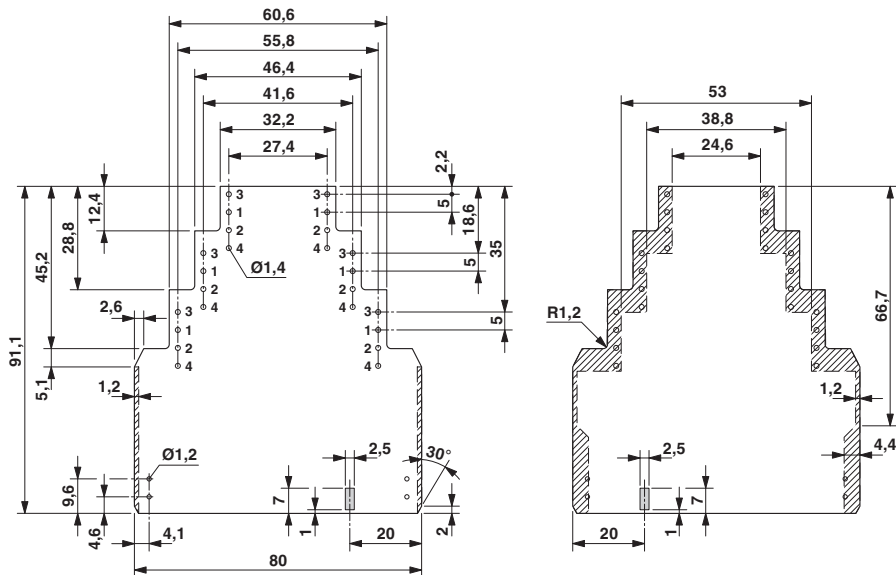
Electronic housing - ME 22,5 F-UTG GN - 2854144

Dimensioned drawing



Dimensional drawing of the ME 22.5 flat... printed circuit board if the double level upper part is used

Dimensioned drawing



Dimensional drawing of the ME 22.5 flat... printed circuit board if the triple-level upper part is used

单击下面可查看定价，库存，交付和生命周期等信息

[>>Phoenix Contact\(菲尼克斯\)](#)