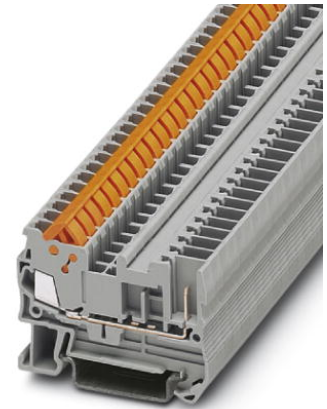



**QTC 1,5/ 1P**

Order No.: 3050073

<http://eshop.phoenixcontact.de/phoenix/treeViewClick.do?UID=3050073>

Fast connection terminal block, Type of connection: Quick connection,  
Quick connection, Cross section: 0.25 mm<sup>2</sup> - 1.5 mm<sup>2</sup>, AWG 24 - 16,  
Width: 5.2 mm, Color: gray, Mounting type: NS 35/7.5, NS 35/15

**Commercial data**

|                          |   |
|--------------------------|---|
| GTIN (EAN)               |  |
| sales group              | A770  |
| Pack                     | 50 pcs.   |
| Customs tariff           | 85369010  |
| Catalog page information | Page 266 (CL-2009)  |

**Product notes**

WEEE/RoHS-compliant since:  
01/01/2003



<http://www.download.phoenixcontact.com>  
Please note that the data given here has been taken from the online catalog. For comprehensive information and data, please refer to the user documentation. The General Terms and Conditions of Use apply to Internet downloads.

**Technical data****General**

|                       |      |
|-----------------------|------|
| Number of levels      | 1    |
| Number of connections | 2    |
| Color                 | gray |
| Insulating material   | PA   |

|                                    |    |
|------------------------------------|----|
| Inflammability class acc. to UL 94 | V0 |
|------------------------------------|----|

**Dimensions**

|                  |         |
|------------------|---------|
| Width            | 5.2 mm  |
| Length           | 53.5 mm |
| Height NS 35/7.5 | 39.3 mm |
| Height NS 35/15  | 46.8 mm |

**Technical data**

|                                  |   |
|----------------------------------|---|
| Maximum load current             | 17.5 A (with 1.5 mm <sup>2</sup> conductor cross section) |
| Rated surge voltage              | 6 kV  |
| Pollution degree                 | 3   |
| Surge voltage category           | III   |
| Insulating material group        | I   |
| Connection in acc. with standard | IEC 61984   |
| Nominal current I <sub>N</sub>   | 17.5 A  |
| Nominal voltage U <sub>N</sub>   | 500 V   |
| Open side panel                  | ja  |

**Connection data**

|  |                      |
|--|----------------------|
| Conductor cross section solid min.     | 0.25 mm <sup>2</sup> |
| Conductor cross section solid max.     | 1.5 mm <sup>2</sup>  |
| Conductor cross section stranded min.  | 0.25 mm <sup>2</sup> |
| Conductor cross section stranded max.  | 1.5 mm <sup>2</sup>  |
| Conductor cross section AWG/kcmil min. | 24                   |
| Conductor cross section AWG/kcmil max  | 16                   |
| Type of connection                     | Quick connection     |
| Internal cylindrical gage              | A3                   |
| Material wire insulation               | PVC / PE             |

**Certificates / Approvals**

Certification

CSA, CUL, GL, GOST, UL

| <b>Accessories</b>  |                  |   |
|---------------------|------------------|---|
| Item                | Designation      | Description   |
| <b>Assembly</b>     |                  |   |
| 3206209             | ATP-QTC          | Partition plate, Length: 64.4 mm, Width: 2 mm, Height: 46 mm, Color: gray   |
| 3206322             | D-QTC 1,5/1P     | End cover, Length: 53.5 mm, Width: 2.2 mm, Height: 39.3 mm, Color: gray   |
| <b>Bridges</b>      |                  |   |
| 3030161             | FBS 2-5          | Plug-in bridge, Number of positions: 2, Color: red  |
| 3030174             | FBS 3-5          | Plug-in bridge, Number of positions: 3, Color: red  |
| 3030187             | FBS 4-5          | Plug-in bridge, Number of positions: 4, Color: red  |
| 3030190             | FBS 5-5          | Plug-in bridge, Number of positions: 5, Color: red  |
| 3030213             | FBS 10-5         | Plug-in bridge, Number of positions: 10, Color: red   |
| 3030226             | FBS 20-5         | Plug-in bridge, Number of positions: 20, Color: red   |
| 3038930             | FBS 50-5         | Plug-in bridge, Number of positions: 50, Color: red   |
| <b>Marking</b>      |                  |   |
| 3040588             | PC               | Keying star, Length: 3 mm, Width: 3 mm, Height: 6 mm, Color: red  |
| 1050004             | ZB 5 :UNBEDRUCKT | Zack strip, unprinted, 10-section, for individual labeling with M-PEN, ZB-T or CMS system, pack is sufficient for 100 terminal blocks, for a terminal width of 5.2 mm, color: White |
| <b>Plug/Adapter</b> |                  |   |
| 3030925             | PAI-4            | Test adapter, Color: gray   |
| 3036709             | PS-4/E           | Test adapter, Color: red  |
| 3030983             | PS-5             | Test adapter, Color: red  |
| <b>Tools</b>        |                  |   |
| 1204517             | SZF 1-0,6X3,5    | Actuation tool, for ST terminal blocks, also suitable for use as a bladed screwdriver, size: 0.6 x 3.5 x 100 mm, 2-component grip, with non-slip grip                               |

| <b>Additional products</b> |             |  |
|----------------------------|-------------|--|
| Item                       | Designation | Description  |
| <b>Plug/Adapter</b>        |             |  |
| 3040258                    | SP 2,5/ 1   | Connectors, Type of connection: Spring-cage connection, Number of positions: 1, Cross section: 0.08 mm <sup>2</sup> - 4 mm <sup>2</sup> , AWG 28 - 12, Width: 5.2 mm, Height: 39 mm, Color: gray |

|         |                |  |
|---------|----------------|--|
| 3040698 | SP 2,5/ 1 BU   | Connectors, Type of connection: Spring-cage connection, Number of positions: 1, Cross section: 0.08 mm <sup>2</sup> - 4 mm <sup>2</sup> , AWG 28 - 12, Width: 5.2 mm, Height: 39 mm, Color: blue         |
| 3040708 | SP 2,5/ 1 GNYE | Connectors, Type of connection: Spring-cage connection, Number of positions: 1, Cross section: 0.08 mm <sup>2</sup> - 4 mm <sup>2</sup> , AWG 28 - 12, Width: 5.2 mm, Height: 39 mm, Color: green-yellow |
| 3040261 | SP 2,5/ 2      | Connectors, Type of connection: Spring-cage connection, Number of positions: 2, Cross section: 0.08 mm <sup>2</sup> - 4 mm <sup>2</sup> , AWG 28 - 12, Width: 10.4 mm, Height: 39 mm, Color: gray        |
| 3040274 | SP 2,5/ 3      | Connectors, Type of connection: Spring-cage connection, Number of positions: 3, Cross section: 0.08 mm <sup>2</sup> - 4 mm <sup>2</sup> , AWG 28 - 12, Width: 15.6 mm, Height: 39 mm, Color: gray        |
| 3040287 | SP 2,5/ 4      | Connectors, Type of connection: Spring-cage connection, Number of positions: 4, Cross section: 0.08 mm <sup>2</sup> - 4 mm <sup>2</sup> , AWG 28 - 12, Width: 20.8 mm, Height: 39 mm, Color: gray        |
| 3040290 | SP 2,5/ 5      | Connectors, Type of connection: Spring-cage connection, Number of positions: 5, Cross section: 0.08 mm <sup>2</sup> - 4 mm <sup>2</sup> , AWG 28 - 12, Width: 26 mm, Height: 39 mm, Color: gray          |
| 3040300 | SP 2,5/ 6      | Connectors, Type of connection: Spring-cage connection, Number of positions: 6, Cross section: 0.08 mm <sup>2</sup> - 4 mm <sup>2</sup> , AWG 28 - 12, Width: 31.2 mm, Height: 39 mm, Color: gray        |
| 3040313 | SP 2,5/ 7      | Connectors, Type of connection: Spring-cage connection, Number of positions: 7, Cross section: 0.08 mm <sup>2</sup> - 4 mm <sup>2</sup> , AWG 28 - 12, Width: 36.4 mm, Height: 39 mm, Color: gray        |
| 3040326 | SP 2,5/ 8      | Connectors, Type of connection: Spring-cage connection, Number of positions: 8, Cross section: 0.08 mm <sup>2</sup> - 4 mm <sup>2</sup> , AWG 28 - 12, Width: 41.6 mm, Height: 39 mm, Color: gray        |
| 3040339 | SP 2,5/ 9      | Connectors, Type of connection: Spring-cage connection, Number of positions: 9, Cross section: 0.08 mm <sup>2</sup> - 4 mm <sup>2</sup> , AWG 28 - 12, Width: 46.8 mm, Height: 39 mm, Color: gray        |
| 3040342 | SP 2,5/10      | Connectors, Type of connection: Spring-cage connection, Number of positions: 10, Cross section: 0.08 mm <sup>2</sup> - 4 mm <sup>2</sup> , AWG 28 - 12, Width: 52 mm, Height: 39 mm, Color: gray         |
| 3040355 | SP 2,5/11      | Connectors, Type of connection: Spring-cage connection, Number of positions: 11, Cross section: 0.08 mm <sup>2</sup> - 4 mm <sup>2</sup> , AWG 28 - 12, Width: 57.2 mm, Height: 39 mm, Color: gray       |
| 3040368 | SP 2,5/12      | Connectors, Type of connection: Spring-cage connection, Number of positions: 12, Cross section: 0.08 mm <sup>2</sup> - 4 mm <sup>2</sup> , AWG 28 - 12, Width: 62.4 mm, Height: 39 mm, Color: gray       |
| 3040371 | SP 2,5/13      | Connectors, Type of connection: Spring-cage connection, Number of positions: 13, Cross section: 0.08 mm <sup>2</sup> - 4 mm <sup>2</sup> , AWG 28 - 12, Width: 67.6 mm, Height: 39 mm, Color: gray       |
| 3040384 | SP 2,5/14      | Connectors, Type of connection: Spring-cage connection, Number of positions: 14, Cross section: 0.08 mm <sup>2</sup> - 4 mm <sup>2</sup> , AWG 28 - 12, Width: 72.8 mm, Height: 39 mm, Color: gray       |
| 3040397 | SP 2,5/15      | Connectors, Type of connection: Spring-cage connection, Number of positions: 15, Cross section: 0.08 mm <sup>2</sup> - 4 mm <sup>2</sup> , AWG 28 - 12, Width: 78 mm, Height: 39 mm, Color: gray         |

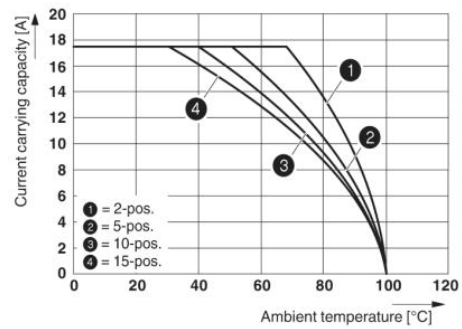
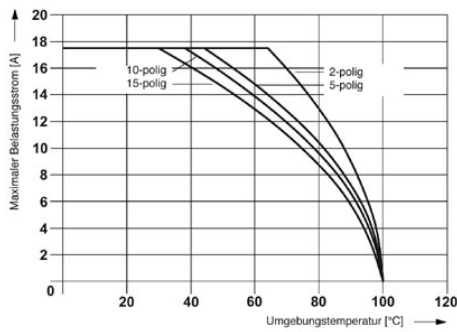
|         |                 |  |
|---------|-----------------|--|
| 3040106 | SPB 2,5/ 1      | Connectors, Type of connection: Spring-cage connection, Number of positions: 1, Cross section: 0.08 mm <sup>2</sup> - 4 mm <sup>2</sup> , AWG 28 - 12, Width: 5.2 mm, Height: 39 mm, Color: gray         |
| 3040724 | SPB 2,5/ 1 BU   | Connectors, Type of connection: Spring-cage connection, Number of positions: 1, Cross section: 0.08 mm <sup>2</sup> - 4 mm <sup>2</sup> , AWG 28 - 12, Width: 5.2 mm, Height: 39 mm, Color: blue         |
| 3040711 | SPB 2,5/ 1 GNYE | Connectors, Type of connection: Spring-cage connection, Number of positions: 1, Cross section: 0.08 mm <sup>2</sup> - 4 mm <sup>2</sup> , AWG 28 - 12, Width: 5.2 mm, Height: 39 mm, Color: green-yellow |
| 3040119 | SPB 2,5/ 2      | Connectors, Type of connection: Spring-cage connection, Number of positions: 2, Cross section: 0.08 mm <sup>2</sup> - 4 mm <sup>2</sup> , AWG 28 - 12, Width: 10.4 mm, Height: 39 mm, Color: gray        |
| 3040122 | SPB 2,5/ 3      | Connectors, Type of connection: Spring-cage connection, Number of positions: 3, Cross section: 0.08 mm <sup>2</sup> - 4 mm <sup>2</sup> , AWG 28 - 12, Width: 15.6 mm, Height: 39 mm, Color: gray        |
| 3040135 | SPB 2,5/ 4      | Connectors, Type of connection: Spring-cage connection, Number of positions: 4, Cross section: 0.08 mm <sup>2</sup> - 4 mm <sup>2</sup> , AWG 28 - 12, Width: 20.8 mm, Height: 39 mm, Color: gray        |
| 3040143 | SPB 2,5/ 5      | Connectors, Type of connection: Spring-cage connection, Number of positions: 5, Cross section: 0.08 mm <sup>2</sup> - 4 mm <sup>2</sup> , AWG 28 - 12, Width: 26 mm, Height: 39 mm, Color: gray          |
| 3040151 | SPB 2,5/ 6      | Connectors, Type of connection: Spring-cage connection, Number of positions: 6, Cross section: 0.08 mm <sup>2</sup> - 4 mm <sup>2</sup> , AWG 28 - 12, Width: 31.2 mm, Height: 39 mm, Color: gray        |
| 3040164 | SPB 2,5/ 7      | Connectors, Type of connection: Spring-cage connection, Number of positions: 7, Cross section: 0.08 mm <sup>2</sup> - 4 mm <sup>2</sup> , AWG 28 - 12, Width: 36.4 mm, Height: 39 mm, Color: gray        |
| 3040177 | SPB 2,5/ 8      | Connectors, Type of connection: Spring-cage connection, Number of positions: 8, Cross section: 0.08 mm <sup>2</sup> - 4 mm <sup>2</sup> , AWG 28 - 12, Width: 41.6 mm, Height: 39 mm, Color: gray        |
| 3040180 | SPB 2,5/ 9      | Connectors, Type of connection: Spring-cage connection, Number of positions: 9, Cross section: 0.08 mm <sup>2</sup> - 4 mm <sup>2</sup> , AWG 28 - 12, Width: 46.8 mm, Height: 39 mm, Color: gray        |
| 3040193 | SPB 2,5/10      | Connectors, Type of connection: Spring-cage connection, Number of positions: 10, Cross section: 0.08 mm <sup>2</sup> - 4 mm <sup>2</sup> , AWG 28 - 12, Width: 52 mm, Height: 39 mm, Color: gray         |
| 3040203 | SPB 2,5/11      | Connectors, Type of connection: Spring-cage connection, Number of positions: 11, Cross section: 0.08 mm <sup>2</sup> - 4 mm <sup>2</sup> , AWG 28 - 12, Width: 57.2 mm, Height: 39 mm, Color: gray       |
| 3040216 | SPB 2,5/12      | Connectors, Type of connection: Spring-cage connection, Number of positions: 12, Cross section: 0.08 mm <sup>2</sup> - 4 mm <sup>2</sup> , AWG 28 - 12, Width: 62.4 mm, Height: 39 mm, Color: gray       |
| 3040229 | SPB 2,5/13      | Connectors, Type of connection: Spring-cage connection, Number of positions: 13, Cross section: 0.08 mm <sup>2</sup> - 4 mm <sup>2</sup> , AWG 28 - 12, Width: 67.6 mm, Height: 39 mm, Color: gray       |
| 3040232 | SPB 2,5/14      | Connectors, Type of connection: Spring-cage connection, Number of positions: 14, Cross section: 0.08 mm <sup>2</sup> - 4 mm <sup>2</sup> , AWG 28 - 12, Width: 72.8 mm, Height: 39 mm, Color: gray       |

|         |                  |  |
|---------|------------------|--|
| 3040245 | SPB 2,5/15       | Connectors, Type of connection: Spring-cage connection, Number of positions: 15, Cross section: 0.08 mm <sup>2</sup> - 4 mm <sup>2</sup> , AWG 28 - 12, Width: 78 mm, Height: 39 mm, Color: gray         |
| 3040407 | SPDB 2,5/ 1      | Connectors, Type of connection: Spring-cage connection, Number of positions: 1, Cross section: 0.08 mm <sup>2</sup> - 4 mm <sup>2</sup> , AWG 28 - 12, Width: 5.2 mm, Height: 39 mm, Color: gray         |
| 3040737 | SPDB 2,5/ 1 BU   | Connectors, Type of connection: Spring-cage connection, Number of positions: 1, Cross section: 0.08 mm <sup>2</sup> - 4 mm <sup>2</sup> , AWG 28 - 12, Width: 5.2 mm, Height: 39 mm, Color: blue         |
| 3040740 | SPDB 2,5/ 1 GNYE | Connectors, Type of connection: Spring-cage connection, Number of positions: 1, Cross section: 0.08 mm <sup>2</sup> - 4 mm <sup>2</sup> , AWG 28 - 12, Width: 5.2 mm, Height: 39 mm, Color: green-yellow |
| 3040410 | SPDB 2,5/ 2      | Connectors, Type of connection: Spring-cage connection, Number of positions: 2, Cross section: 0.08 mm <sup>2</sup> - 4 mm <sup>2</sup> , AWG 28 - 12, Width: 10.4 mm, Height: 39 mm, Color: gray        |
| 3040423 | SPDB 2,5/ 3      | Connectors, Type of connection: Spring-cage connection, Number of positions: 3, Cross section: 0.08 mm <sup>2</sup> - 4 mm <sup>2</sup> , AWG 28 - 12, Width: 15.6 mm, Height: 39 mm, Color: gray        |
| 3040436 | SPDB 2,5/ 4      | Connectors, Type of connection: Spring-cage connection, Number of positions: 4, Cross section: 0.08 mm <sup>2</sup> - 4 mm <sup>2</sup> , AWG 28 - 12, Width: 20.8 mm, Height: 39 mm, Color: gray        |
| 3040449 | SPDB 2,5/ 5      | Connectors, Type of connection: Spring-cage connection, Number of positions: 5, Cross section: 0.08 mm <sup>2</sup> - 4 mm <sup>2</sup> , AWG 28 - 12, Width: 26 mm, Height: 39 mm, Color: gray          |
| 3040452 | SPDB 2,5/ 6      | Connectors, Type of connection: Spring-cage connection, Number of positions: 6, Cross section: 0.08 mm <sup>2</sup> - 4 mm <sup>2</sup> , AWG 28 - 12, Width: 31.2 mm, Height: 39 mm, Color: gray        |
| 3040465 | SPDB 2,5/ 7      | Connectors, Type of connection: Spring-cage connection, Number of positions: 7, Cross section: 0.08 mm <sup>2</sup> - 4 mm <sup>2</sup> , AWG 28 - 12, Width: 36.4 mm, Height: 39 mm, Color: gray        |
| 3040478 | SPDB 2,5/ 8      | Connectors, Type of connection: Spring-cage connection, Number of positions: 8, Cross section: 0.08 mm <sup>2</sup> - 4 mm <sup>2</sup> , AWG 28 - 12, Width: 41.6 mm, Height: 39 mm, Color: gray        |
| 3040481 | SPDB 2,5/ 9      | Connectors, Type of connection: Spring-cage connection, Number of positions: 9, Cross section: 0.08 mm <sup>2</sup> - 4 mm <sup>2</sup> , AWG 28 - 12, Width: 46.8 mm, Height: 39 mm, Color: gray        |
| 3040494 | SPDB 2,5/10      | Connectors, Type of connection: Spring-cage connection, Number of positions: 10, Cross section: 0.08 mm <sup>2</sup> - 4 mm <sup>2</sup> , AWG 28 - 12, Width: 52 mm, Height: 39 mm, Color: gray         |
| 3040504 | SPDB 2,5/11      | Connectors, Type of connection: Spring-cage connection, Number of positions: 11, Cross section: 0.08 mm <sup>2</sup> - 4 mm <sup>2</sup> , AWG 28 - 12, Width: 57.2 mm, Height: 39 mm, Color: gray       |
| 3040517 | SPDB 2,5/12      | Connectors, Type of connection: Spring-cage connection, Number of positions: 12, Cross section: 0.08 mm <sup>2</sup> - 4 mm <sup>2</sup> , AWG 28 - 12, Width: 62.4 mm, Height: 39 mm, Color: gray       |
| 3040520 | SPDB 2,5/13      | Connectors, Type of connection: Spring-cage connection, Number of positions: 13, Cross section: 0.08 mm <sup>2</sup> - 4 mm <sup>2</sup> , AWG 28 - 12, Width: 67.6 mm, Height: 39 mm, Color: gray       |

|         |             |  |
|---------|-------------|--|
| 3040533 | SPDB 2,5/14 | Connectors, Type of connection: Spring-cage connection, Number of positions: 14, Cross section: 0.08 mm <sup>2</sup> - 4 mm <sup>2</sup> , AWG 28 - 12, Width: 72.8 mm, Height: 39 mm, Color: gray |
| 3040546 | SPDB 2,5/15 | Connectors, Type of connection: Spring-cage connection, Number of positions: 15, Cross section: 0.08 mm <sup>2</sup> - 4 mm <sup>2</sup> , AWG 28 - 12, Width: 78 mm, Height: 39 mm, Color: gray   |

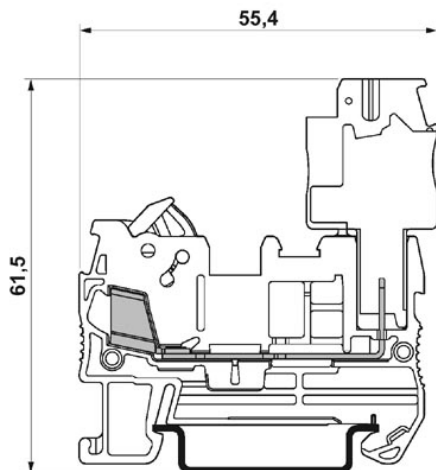
**Diagrams/Drawings**

Diagram



The figure shows the derating curve of the QTC 1,5/ 1P... terminal block in connection with the QP 1,5 connector

Dimensioned drawing



Circuit diagram

---





QTC 1,5/ 1P Order No.: 3050073

<http://eshop.phoenixcontact.de/phoenix/treeViewClick.do?UID=3050073>

---

**Address**

PHOENIX CONTACT Deutschland GmbH  
Flachmarktstr. 8  
32825 Blomberg, Germany  
Phone +49 5235 3 12000  
Fax +49 5235 3 41200  
<http://www.phoenixcontact.de>



© 2010 Phoenix Contact  
Technical modifications reserved;

单击下面可查看定价，库存，交付和生命周期等信息

[>>Phoenix Contact\(菲尼克斯\)](#)