

## Cable gland - G-ESISEC-M50-L68L-NEPDS-S - 1415169

Please be informed that the data shown in this PDF Document is generated from our Online Catalog. Please find the complete data in the user's documentation. Our General Terms of Use for Downloads are valid (<http://phoenixcontact.com/download>)



Cable gland, Cable gland material: Nickel-plated brass, Application: Ex, External cable diameter 21 mm ... 35 mm, Shielding: Yes, Connecting thread: M50, Color: silver

The figure shows the G-ESIS-M25-M68N-NEPDS-S version



### Key Commercial Data

Packing unit	1 pc
Custom tariff number	74199990
Country of origin	Germany

### Technical data

#### Dimensions

Length	57 mm
Length without connecting thread	42 mm
Connecting thread diameter	50 mm
Wrench size, union nut	55 mm
Wrench size, support	55 mm
Hexagon angular dimension GRP	61 mm
Length of the connecting thread	15 mm
External cable diameter	21 mm ... 35 mm

#### Ambient conditions

Degree of protection	IP66
	IP68
Ambient temperature (operation)	-40 °C ... 75 °C

# Cable gland - G-ESISEC-M50-L68L-NEPDS-S - 1415169

## Technical data

### General

Cable gland material	Nickel-plated brass
Seal material	EPDM
O-ring material	EPDM
Thread type on connection side	M50
Torque	30 Nm (Support)
Tightening torque, union nut	30.00 Nm
Color	silver
ATEX	II 2 G/D EEx e II IP68
IECEX	Ex e IIC Gb, Ex tb IIIC Db

## Classifications

### eCl@ss

eCl@ss 5.1	27149109
eCl@ss 6.0	27149109

### ETIM

ETIM 5.0	EC000441
----------	----------

## Approvals

### Approvals

#### Approvals

UL Recognized / cUL Recognized / GL / cULus Recognized

#### Ex Approvals

ATEX / IECEX / EAC Ex

#### Approvals submitted

### Approval details

UL Recognized
---------------

# Cable gland - G-ESISEC-M50-L68L-NEPDS-S - 1415169

## Approvals

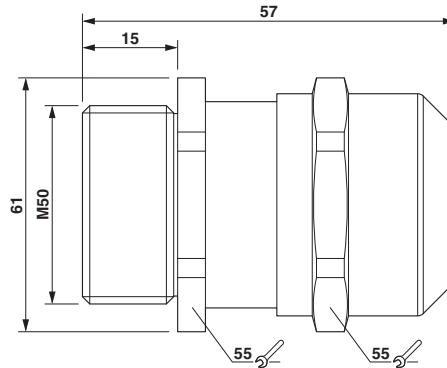
cUL Recognized

GL

cULus Recognized

## Drawings

Dimensional drawing



单击下面可查看定价，库存，交付和生命周期等信息

[>>Phoenix Contact\(菲尼克斯\)](#)