

Housing - HC-COM-HHFS-1TGM25-PL-BK - 1012520


Please be informed that the data shown in this PDF Document is generated from our Online Catalog. Please find the complete data in the user's documentation. Our General Terms of Use for Downloads are valid (<http://phoenixcontact.com/download>)



Sleeve housing COM, for single locking latch, material: PA, cable outlets: 1, straight, height: 84 mm, cable gland: with, support sleeve: no, 1x M25, Standard



Key Commercial Data

Packing unit	1 pc
GTIN	 4 055626 490229
GTIN	4055626490229
Weight per Piece (excluding packing)	60.000 g
Custom tariff number	85389099
Country of origin	China

Technical data

Dimensions

Height	84 mm
Width	39 mm
Length	48.8 mm
External cable diameter	10 mm ... 16 mm

Ambient conditions

Degree of protection (IP)	IP66
Ambient temperature (operation)	-40 °C ... 125 °C

General

Size	COM
Housing type	Sleeve housing

Housing - HC-COM-HHFS-1TGM25-PL-BK - 1012520

Technical data

General

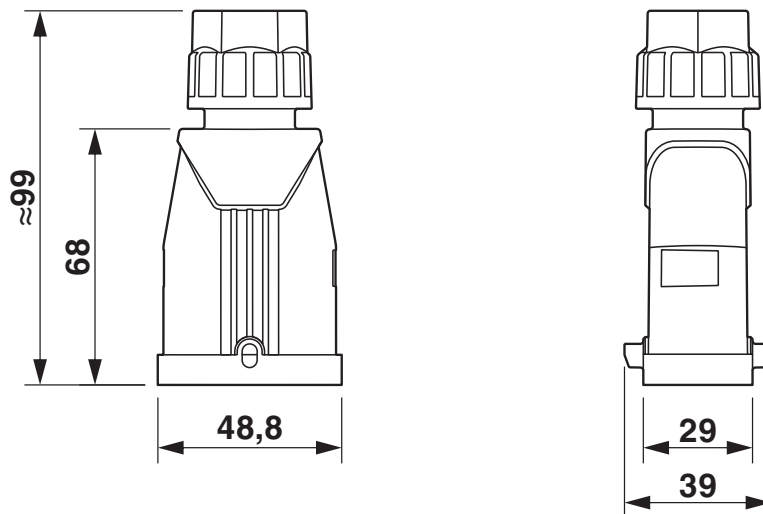
Color	black
Locking type	for single locking latch
No. of cable outlets	1
Cable outlet	straight
Screw connection	with
Type of the screw connection	1x M25
Housing material	PA
Flammability rating according to UL 94	V0 (Housing)

Environmental Product Compliance

China RoHS	Environmentally Friendly Use Period = 50 years
	For details about hazardous substances go to tab "Downloads", Category "Manufacturer's declaration"

Drawings

Dimensional drawing



Classifications

eCl@ss

eCl@ss 10.0.1	27440202
eCl@ss 11.0	27440202
eCl@ss 4.0	27140816
eCl@ss 4.1	27140816

Housing - HC-COM-HHFS-1TGM25-PL-BK - 1012520

Classifications

eCl@ss

eCl@ss 5.0	27143424
eCl@ss 5.1	27261200
eCl@ss 6.0	27261200
eCl@ss 7.0	27440202
eCl@ss 9.0	27440202

ETIM

ETIM 4.0	EC000437
ETIM 6.0	EC000437
ETIM 7.0	EC000437

UNSPSC

UNSPSC 6.01	31261502
UNSPSC 7.0901	31261502
UNSPSC 11	31261502
UNSPSC 12.01	31261502
UNSPSC 13.2	31261501
UNSPSC 18.0	31261501
UNSPSC 19.0	31261501
UNSPSC 20.0	31261501
UNSPSC 21.0	31261501

Approvals


Approvals

Approvals

EAC

Ex Approvals

Approval details

EAC		RU C- DE.BL08.B.00511
-----	---	--------------------------

Housing - HC-COM-HHFS-1TGM25-PL-BK - 1012520

Accessories

Accessories

Protective cover

Protective covers - HC-COM-HCWS-PLR-BK - 1079394



Protective cover COM, with single locking latch, protective cover material: PA, height: 20.5 mm, Standard, for socket inserts

Protective covers - HC-COM-HCWS-PL-BK - 1079395



Protective cover COM, with single locking latch, protective cover material: PA, height: 20.5 mm, Standard, for pin inserts

单击下面可查看定价，库存，交付和生命周期等信息

[>>Phoenix Contact\(菲尼克斯\)](#)