

# Electronic housing - ME 17,5 UT GN - 2906775

Please be informed that the data shown in this PDF Document is generated from our Online Catalog. Please find the complete data in the user's documentation. Our General Terms of Use for Downloads are valid (<http://download.phoenixcontact.com>)



Lower part of housing, fully assembled, with metal foot catch.

## Product Features

- Tool-free mounting
- Large assembly area
- Low design width with a high number of positions
- Same PCB geometry for all design widths
- Recessed labeling areas
- Inflammability class V0 according to UL 94
- Fast mounting on DIN rails according to EN 60715
- Cost savings thanks to easy device production
- Material and part identification embossed on the housing (recyclability)
- Functional earth ground contact (EMC) integrated in the housing base
- Optional BUS connection integrated in the housing, for either parallel or serial contacting
- Metal foot catch
- Electronic components can be partially removed



## Key commercial data

Packing unit	1
Minimum order quantity	10
Catalog page	Page 600 (CC-2011)
GTIN	 4 017918 131388
Custom tariff number	85369010
Country of origin	GERMANY

## Technical data

### General

Housing type	Component housing
Housing material	Polyamide
Color	green

# Electronic housing - ME 17,5 UT GN - 2906775

## Technical data

### Dimensions / positions

Length	99 mm
Constructional height	114.5 mm
Width	17.5 mm
Number of positions	12

### Technical data

Ambient temperature (operation)	-40 °C ... 105 °C
Inflammability class according to UL 94	V0
Power dissipation at 20°C in the horizontal mounting position	5.2 W 10.8 W

## Classifications

### ETIM

ETIM 2.0	EC001031
ETIM 3.0	EC001031
ETIM 4.0	EC001031
ETIM 5.0	EC001031

### UNSPSC

UNSPSC 11	31261501
UNSPSC 12.01	31261501
UNSPSC 13.2	31261501
UNSPSC 6.01	31261501
UNSPSC 7.0901	31261501

### eCl@ss

eCl@ss 4.0	27180401
eCl@ss 4.1	27180401
eCl@ss 5.0	27180506
eCl@ss 5.1	27180506
eCl@ss 6.0	27180802
eCl@ss 7.0	27182702

## Approvals

### Approvals

Approvals

UL Recognized

Ex Approvals


## Electronic housing - ME 17,5 UT GN - 2906775

### Approvals

Approvals submitted

---

#### Approval details

UL Recognized 

### Accessories

Accessories

Assembly

Electronic housing - ME-SAS - 2853899



Shield connection clamp for printed circuit terminal block

---

Electronic housing - ME B-17,5 MSTBO GN - 2906869



Filler plugs, for unoccupied terminal points

---

Electronic housing - ME B-17,5 MKDSO GN - 2906885



Filler plugs, for unoccupied terminal points

---

Electronic housing - ME LPZS - 2906911



PCB stop, for soldering onto PCB

---

## Electronic housing - ME 17,5 UT GN - 2906775

### Accessories

Electronic housing - ME 35 UTM - 2908265



Intermediate element for modular extension of the volume of the housing in the pitch. The open intermediate element is 17.5 mm wide.

---

Electronic housing - ME 35 UTMG - 2908275



Intermediate element for modular extension of the volume of the housing in the pitch. The closed intermediate element is 17.5 mm wide.

---

Electronic housing - ME MF 17,5 - 2908281



Metal foot catch, for intermediate elements.

---

Electronic housing - ME LPZS - 2906911



PCB stop, for soldering onto PCB

---

Electronic housing - ME MF 17,5 - 2908281



Metal foot catch, for intermediate elements.

---

Electronic housing - ME 35 UTM - 2908265



Intermediate element for modular extension of the volume of the housing in the pitch. The open intermediate element is 17.5 mm wide.

## Electronic housing - ME 17,5 UT GN - 2906775

### Accessories

---

#### Plug/Adapter

Coding star - CR-MSTB - 1734401



Coding section, inserted into the recess in the header or the inverted plug, red insulating material

---

Coding profile - CP-MSTB - 1734634



Keying profile, is inserted into the slot on the plug or inverted header, red insulating material

---

Electronic housing - ME FE-CONTACT - 2908294



Functional earth ground contact, for intermediate elements.

---

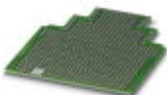
Electronic housing - ME FE-CONTACT - 2908294



Functional earth ground contact, for intermediate elements.

---

Electronic housing - ME LP - 2906908



PCB, for custom fitting, with contact to DIN rail (EN 60715)

---

### Required add-on products

## Electronic housing - ME 17,5 UT GN - 2906775

### Accessories

Electronic housing - ME 17,5 OT-MKDSO SET - 2907460

Housing upper part, complete with PCB termination blocks for full equipping. 12-pos., housing width: 17.5 mm



---

Electronic housing - ME 17,5 OT-MSTBO SET - 2907431

Housing upper part, complete with COMBICON headers and screw connectors for full mounting of components. 12-pos., housing width: 17.5 mm



---

Electronic housing - ME 17,5 OT-MKDSO GN - 2906843

Housing upper part, for printed circuit terminal block connection



---

Electronic housing - ME 17,5 OT-MSTBO GN - 2906827

Upper part of housing, for COMBICON connection, double-level

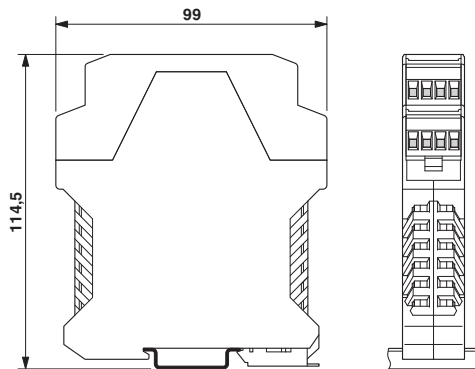


---

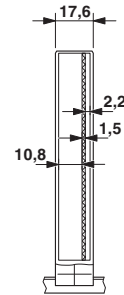
### Drawings

# Electronic housing - ME 17,5 UT GN - 2906775

Dimensioned drawing



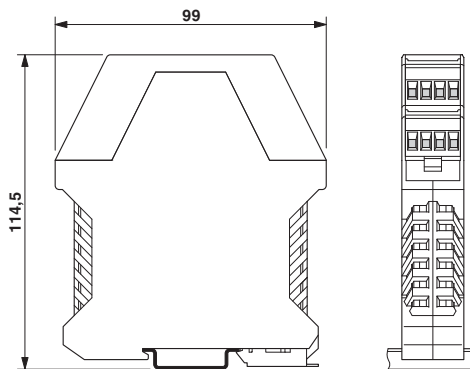
Dimensioned drawing



Inner housing dimensions, electronic housing ME 22.5 ...

Dimensions of the electronic housing ME... with double-level upper part

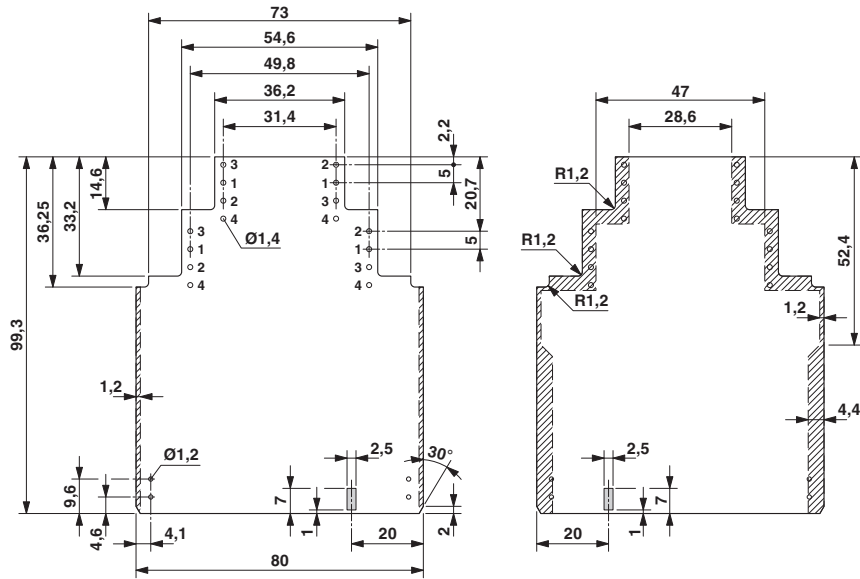
Dimensioned drawing



Dimensions of the electronic housing ME... with double-level upper part

# Electronic housing - ME 17,5 UT GN - 2906775

Dimensioned drawing



Dimensional drawing of the ME... printed circuit board if the double level upper part is used



单击下面可查看定价，库存，交付和生命周期等信息

[>>Phoenix Contact\(菲尼克斯\)](#)