

# Cable feed-through plates - MC-35-MULTI-65-PVO-BK - 1422351

Please be informed that the data shown in this PDF Document is generated from our Online Catalog. Please find the complete data in the user's documentation. Our General Terms of Use for Downloads are valid (<http://phoenixcontact.com/download>)




Cable feed-through plates, no. of conductors: 35, external cable diameter: 2x 6 mm ... 10 mm, 14x 7 mm ... 12 mm, 16x 10 mm ... 14 mm, 2x 12 mm ... 18 mm, 1x 17 mm ... 32 mm, material: galvanized sheet steel (Core), material: TPE-SEBS (external material), color: black, length: 222 mm, width: 92 mm, height: 17.6 mm

## Your advantages

- Oil-resistant according to UL 157



## Key Commercial Data

Packing unit	1 pc
GTIN	 4 055626 301860
GTIN	4055626301860

## Technical data

### Dimensions

Length	222 mm
Width	92 mm
Height	17.6 mm
Drill hole distance, horizontal	62 mm
Drill hole distance, vertical	193 mm
External cable diameter	2x 6 mm ... 10 mm
	14x 7 mm ... 12 mm
	16x 10 mm ... 14 mm
	2x 12 mm ... 18 mm
	1x 17 mm ... 32 mm

### Ambient conditions

Degree of protection	IP65 (Minimum sheet thickness $\geq$ 2.5 mm)
Ambient temperature (operation)	-40 °C ... 100 °C

### General

# Cable feed-through plates - MC-35-MULTI-65-PVO-BK - 1422351

## Technical data

### General

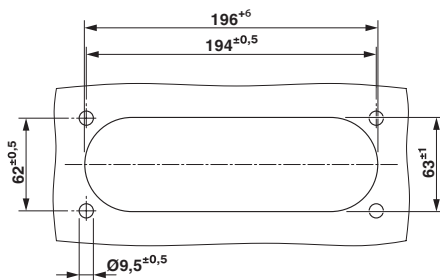
Note	incl. mounting screws
	2 mm thick coated, galvanized sheet steel
No. of conductors	35
Tightening torque	1.5 Nm ... 2 Nm (Mounting screws)
Material	TPE-SEBS
	galvanized sheet steel (Core)
	TPE-SEBS (external material)
Flammability rating according to UL 94	V0
Color	black
Assembly note	M8 mounting screw, torque: 1.5 - 2.0 Nm, SW5 Allen key
	The mounting screws included should be used for assembly.  Assembly steps: 1) Fix Multigates with the mounting screws provided (observe torque) 2) Make a hole in the membrane (with a screwdriver) or cut off the tip of the cone 3) Guide the cable through the opening (from the outside). Withdraw the cable approximately 20 mm (to improve strain relief).

### Environmental Product Compliance

China RoHS	Environmentally friendly use period: unlimited = EFUP-e
	No hazardous substances above threshold values

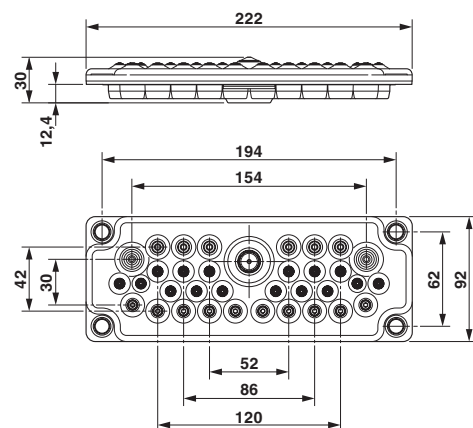
## Drawings

Dimensional drawing



Wall cutout drawing

Dimensional drawing



Dimensional drawing

## Classifications

eCI@ss

eCI@ss 10.0.1	27400569
---------------	----------

## Cable feed-through plates - MC-35-MULTI-65-PVO-BK - 1422351

### Classifications

#### eCl@ss

eCl@ss 11.0	27400569
eCl@ss 6.0	27409200
eCl@ss 7.0	27409208
eCl@ss 9.0	27400569

#### ETIM

ETIM 6.0	EC001004
ETIM 7.0	EC001004

#### UNSPSC

UNSPSC 21.0	31163000
-------------	----------

Phoenix Contact 2022 © - all rights reserved  
<http://www.phoenixcontact.com>

PHOENIX CONTACT GmbH & Co. KG  
Flachsmarktstr. 8  
32825 Blomberg  
Germany  
Tel. +49 5235 300  
Fax +49 5235 3 41200  
<http://www.phoenixcontact.com>

单击下面可查看定价，库存，交付和生命周期等信息

[>>Phoenix Contact \(菲尼克斯\)](#)