

# Universal current transducer - MCR-SL-CUC-100-U - 2308108

Please be informed that the data shown in this PDF Document is generated from our Online Catalog. Please find the complete data in the user's documentation. Our General Terms of Use for Downloads are valid (<http://phoenixcontact.com/download>)




Universal current transducer, for measuring DC, AC, and distorted currents, 0 ... 100 A input current, 0 ... 10 V output

## Your advantages

- ✓ Variable mounting on DIN rail and mounting plate
- ✓ Compact dimensions also enable distributed use
- ✓ Simple connection technology thanks to COMBICON plug-in connection terminal blocks
- ✓ Universal current measurement, no shunt required
- ✓ 3-way isolation



## Key Commercial Data

Packing unit	1 pc
GTIN	 4 046356 569736
GTIN	4046356569736

## Technical data

### Dimensions

Width	90 mm
Height	33.8 mm
Depth	85 mm

### Ambient conditions

Ambient temperature (operation)	-40 °C ... 65 °C
Ambient temperature (storage/transport)	-40 °C ... 85 °C
Degree of protection	IP20

### Input data

Number of inputs	1
Configurable/programmable	no

# Universal current transducer - MCR-SL-CUC-100-U - 2308108

## Technical data

### Input data

Input current range	0 A AC/DC ... 100 A AC/DC
Overload capacity	6 × I <sub>IN</sub>
Frequency measuring range	20 Hz ... 6000 Hz (0 Hz)
Connection method	Cable design: 32 mm diameter

### Output data

Output name	Voltage output
Voltage output signal	0 V ... 10 V
Load/output load voltage output	≥ 10 kΩ

### Power supply

Nominal supply voltage	24 V DC
Supply voltage range	20 V DC ... 30 V DC
Max. current consumption	30 mA

### Connection data

Connection method	Push-in connection
Stripping length	10 mm
Conductor cross section solid	0.25 mm <sup>2</sup> ... 2.5 mm <sup>2</sup>
Conductor cross section flexible	0.2 mm <sup>2</sup> ... 2.5 mm <sup>2</sup>
Conductor cross section AWG	24 ... 12

### General

Maximum transmission error	≤± 1 % (of final value)
Temperature coefficient, typical	0.02 %/K (0 °C ... 60 °C)
	0.04 %/K (-40 °C ... 65 °C)
Linearity error	≤± 1 % (From the range end value)
Step response (10-90%)	150 ms
Housing material	Franyl B63 V0 GV30

### Standards and Regulations

Rated insulation voltage	300 V AC
Pollution degree	2
Overvoltage category	III

### Conformance/approvals

Designation	CE
Certificate	CE-compliant
Designation	UKCA
Certificate	UKCA-compliant
Designation	UL, USA / Canada
Identification	UL/C-UL Listed UL 508

### Environmental Product Compliance

China RoHS	Environmentally Friendly Use Period = 25;
------------	---

# Universal current transducer - MCR-SL-CUC-100-U - 2308108

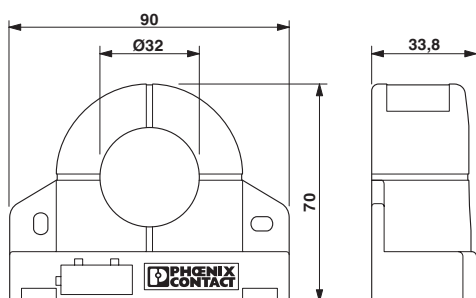
## Technical data

### Environmental Product Compliance

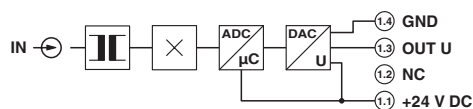
	For information on hazardous substances, refer to the manufacturer's declaration available under "Downloads"
--	--

## Drawings

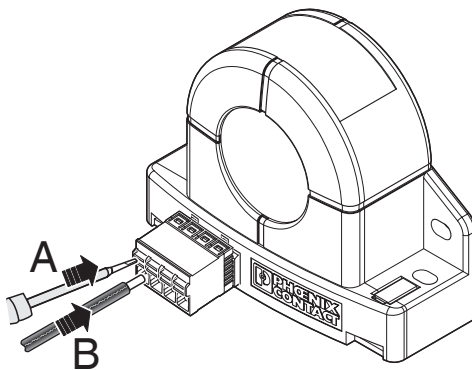
Dimensional drawing



Circuit diagram



Schematic diagram



## Classifications

### eCl@ss

eCl@ss 10.0.1	27210123
eCl@ss 11.0	27210123
eCl@ss 4.0	27210900
eCl@ss 4.1	27210900
eCl@ss 5.0	27210900
eCl@ss 5.1	27210900
eCl@ss 6.0	27210100

# Universal current transducer - MCR-SL-CUC-100-U - 2308108

## Classifications

### eCl@ss

eCl@ss 7.0	27210123
eCl@ss 9.0	27210123

### ETIM

ETIM 3.0	EC002475
ETIM 4.0	EC002475
ETIM 6.0	EC002475
ETIM 7.0	EC002475

### UNSPSC

UNSPSC 6.01	30211506
UNSPSC 7.0901	39121008
UNSPSC 11	39121008
UNSPSC 12.01	39121008
UNSPSC 13.2	39121032
UNSPSC 18.0	39121032
UNSPSC 19.0	39121032
UNSPSC 20.0	39121032
UNSPSC 21.0	39121000

## Approvals

### Approvals

#### Approvals

UL Listed / cUL Listed / EAC / cULus Listed

#### Ex Approvals

### Approval details


UL Listed		<a href="http://database.ul.com/cgi-bin/XYV/template/LISEXT/1FRAME/index.htm">http://database.ul.com/cgi-bin/XYV/template/LISEXT/1FRAME/index.htm</a>	FILE E 123528
-----------	--	---	---------------

cUL Listed		<a href="http://database.ul.com/cgi-bin/XYV/template/LISEXT/1FRAME/index.htm">http://database.ul.com/cgi-bin/XYV/template/LISEXT/1FRAME/index.htm</a>	FILE E 123528
------------	--	---	---------------

# Universal current transducer - MCR-SL-CUC-100-U - 2308108

## Approvals

EAC		RU*DE.*08.B.01852-19
-----	---	----------------------

cULus Listed	
--------------	---

Phoenix Contact 2022 © - all rights reserved  
<http://www.phoenixcontact.com>

PHOENIX CONTACT GmbH & Co. KG  
Flachsmarktstr. 8  
32825 Blomberg  
Germany  
Tel. +49 5235 300  
Fax +49 5235 3 41200  
<http://www.phoenixcontact.com>

单击下面可查看定价，库存，交付和生命周期等信息

[>>Phoenix Contact \(菲尼克斯\)](#)