

## End cover - D-MSBV 2,5-F - 3251021

Please be informed that the data shown in this PDF Document is generated from our Online Catalog. Please find the complete data in the user's documentation. Our General Terms of Use for Downloads are valid (<http://phoenixcontact.com/download>)



End cover, Length: 32 mm, Width: 4 mm, Color: gray



### Key Commercial Data

Packing unit	1 pc
Minimum order quantity	50 pc
Weight per Piece (excluding packing)	1.6 g
Custom tariff number	85389099
Country of origin	China

### Technical data

#### General

Color	gray
Flammability rating according to UL 94	V0

#### Dimensions

Width	4 mm
End cover width	4 mm
Length	32 mm
Height NS 15	30 mm

#### Standards and Regulations

Flammability rating according to UL 94	V0
--	----

### Classifications

#### eCl@ss

eCl@ss 4.0	27141199
------------	----------

# End cover - D-MSBV 2,5-F - 3251021

## Classifications

### eCl@ss

eCl@ss 4.1	27141199
eCl@ss 5.0	27141145
eCl@ss 5.1	27141145
eCl@ss 6.0	27141133
eCl@ss 7.0	27141133
eCl@ss 8.0	27141133

### ETIM

ETIM 2.0	EC000886
ETIM 3.0	EC000886
ETIM 4.0	EC000886
ETIM 5.0	EC000886

### UNSPSC

UNSPSC 6.01	30211827
UNSPSC 7.0901	39121424
UNSPSC 11	39121424
UNSPSC 12.01	39121424
UNSPSC 13.2	39121424

## Approvals

### Approvals

---

Approvals

GOST

---

Ex Approvals

---

Approvals submitted

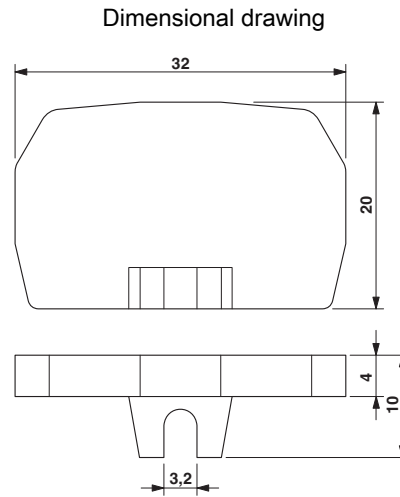
---

### Approval details

GOST 
--

# End cover - D-MSBV 2,5-F - 3251021

## Drawings



---

Phoenix Contact 2015 © - all rights reserved  
<http://www.phoenixcontact.com>

单击下面可查看定价，库存，交付和生命周期等信息

[>>Phoenix Contact\(菲尼克斯\)](#)