

## Bus coupler - IBS IL 24 BK RB LK-2MBD - 2855347

Please be informed that the data shown in this PDF Document is generated from our Online Catalog. Please find the complete data in the user's documentation. Our General Terms of Use for Downloads are valid (<http://phoenixcontact.com/download>)



INTERBUS bus coupler, with fiber optic connection and fiber optic remote bus branch, 24 V DC, transmission speed 2 Mbaud, without accessories

The illustration shows the version IBS IL 24 BK RB-LK

### Product Features

- Remote bus connections using fiber optic technology
- Optical path diagnostics



### Key commercial data

Packing unit	1 pc
Weight per Piece (excluding packing)	320.5 GRM
Custom tariff number	85389091
Country of origin	Germany

### Technical data

#### Dimensions

Width	85 mm
Height	119.8 mm
Depth	71.5 mm

#### Ambient conditions

Ambient temperature (operation)	-25 °C ... 55 °C
Ambient temperature (storage/transport)	-25 °C ... 85 °C
Permissible humidity (operation)	75 % ... 85 %
Permissible humidity (storage/transport)	75 % ... 85 %
Air pressure (operation)	80 kPa ... 106 kPa (up to 3000 m above sea level)
Air pressure (storage/transport)	70 kPa ... 106 kPa (up to 3000 m above sea level)

# Bus coupler - IBS IL 24 BK RB LK-2MBD - 2855347

## Technical data

### Ambient conditions

Degree of protection	IP20
----------------------	------

### Interfaces

Fieldbus system	Lokalbus
Designation	Inline local bus
Connection method	Inline data jumper
Transmission speed	2 MBit/s
Transmission physics	FO
Fieldbus system	INTERBUS
Designation	INTERBUS
Connection method	6x F-SMA connector
Transmission speed	2 MBit/s
Transmission physics	FO
Designation	Supply
Connection method	8-pos. Inline connector

### Power supply for module electronics

Connection method	Inline connector
Supply voltage	24 V DC (via Inline connector)
Supply voltage range	19.2 V DC ... 30 V DC (including ripple)
Current consumption	max. 1.3 A (with max. number of connected I/O terminal blocks)

### General

Weight	235 g
Mounting type	DIN rail
Test section	7.5 V logics supply, 24 V analog supply, 24 V bus terminal module supply/ functional earth ground 500 V AC 50 Hz 1 min

### Inline potentials

Communications power $U_L$	7.5 V DC $\pm 5\%$
Power supply at $U_L$	max. 2 A DC (observe derating)
I/O supply voltage $U_{ANA}$	24 V DC -15 % / +20 %
Power supply at $U_{ANA}$	max. 0.5 A DC (observe derating)

## Classifications

### eCl@ss

eCl@ss 4.0	27250203
eCl@ss 4.1	27250203
eCl@ss 5.0	27250203

# Bus coupler - IBS IL 24 BK RB LK-2MBD - 2855347

## Classifications

### eCl@ss

eCl@ss 5.1	27242608
eCl@ss 6.0	27242608
eCl@ss 7.0	27242608

### ETIM

ETIM 2.0	EC001434
ETIM 3.0	EC001604
ETIM 4.0	EC001604
ETIM 5.0	EC001604

### UNSPSC

UNSPSC 6.01	43172015
UNSPSC 7.0901	43201404
UNSPSC 11	43172015
UNSPSC 12.01	43201404
UNSPSC 13.2	43201404

## Approvals

### Approvals

---

Approvals

UL Listed / cUL Listed / cULus Listed

---

Ex Approvals

---

Approvals submitted

---

### Approval details

UL Listed
-----------

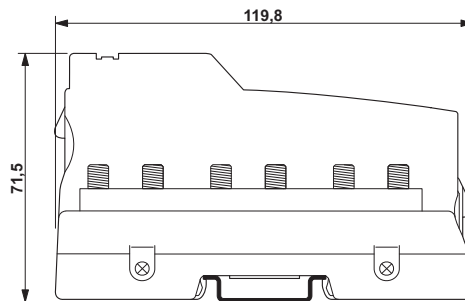
## Bus coupler - IBS IL 24 BK RB LK-2MBD - 2855347

### Approvals



### Drawings

Dimensioned drawing



单击下面可查看定价，库存，交付和生命周期等信息

[>>Phoenix Contact\(菲尼克斯\)](#)