

# Flush-type connector - SACC-DSI-M8FS-8CON-M10-L180 - 1424237

Please be informed that the data shown in this PDF Document is generated from our Online Catalog. Please find the complete data in the user's documentation. Our General Terms of Use for Downloads are valid (<http://download.phoenixcontact.com>)



Sensor/actuator flush-type plug-in connector, socket, 8-pos. M8, rear/screw mounting with M10 fastening thread, with straight solder connection



## Key commercial data

Packing unit	0
Minimum order quantity	1
GTIN	 4 046356 712491
Custom tariff number	85366990
Country of origin	GERMANY

## Technical data

### General data

Rated current at 40°C	1.5 A
Rated voltage	30 V
Number of positions	8
Volume resistance	≤ 3 mΩ
Insulation resistance	≥ 100 MΩ
Ambient temperature (operation)	-25 °C ... 85 °C

### General characteristics

Standards/regulations	M8 plug-in connector IEC 61076-2-104
Surge voltage category	II
Pollution degree	3
Degree of protection	IP67
Contact material	CuSn
Contact surface material	Au
Contact carrier material	PA 66
Material, knurls	Zinc die-cast, nickel-plated
Mounting type	Rear mounting With flat nut

# Flush-type connector - SACC-DSI-M8FS-8CON-M10-L180 - 1424237

## Technical data

### General characteristics

Connection method	Solder pins
Status display	No

## Classifications

### ETIM

ETIM 3.0	EC002061
ETIM 4.0	EC002635
ETIM 5.0	EC002635

### UNSPSC

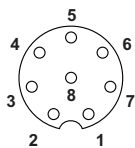
UNSPSC 11	31251501
UNSPSC 12.01	31251501
UNSPSC 13.2	31251501
UNSPSC 6.01	31251501
UNSPSC 7.0901	31251501

### eCl@ss

eCl@ss 4.0	27140815
eCl@ss 4.1	27140815
eCl@ss 5.0	27143423
eCl@ss 5.1	27143423
eCl@ss 6.0	27143423
eCl@ss 7.0	27449001

## Drawings

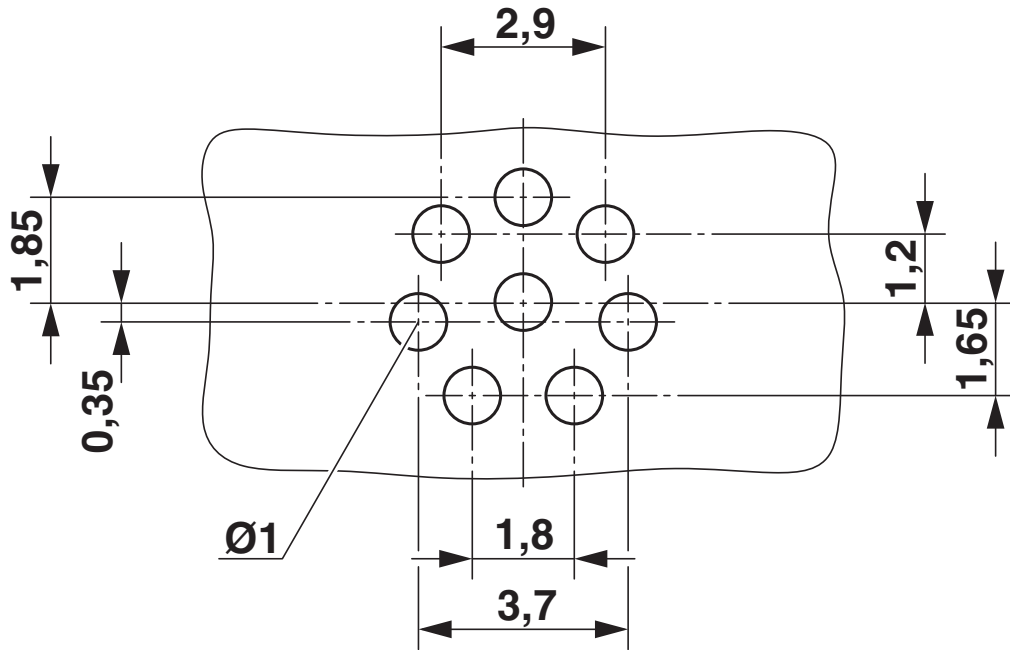
### Schematic diagram



Connector pin assignment of M8 socket, 8-pos., view of socket side

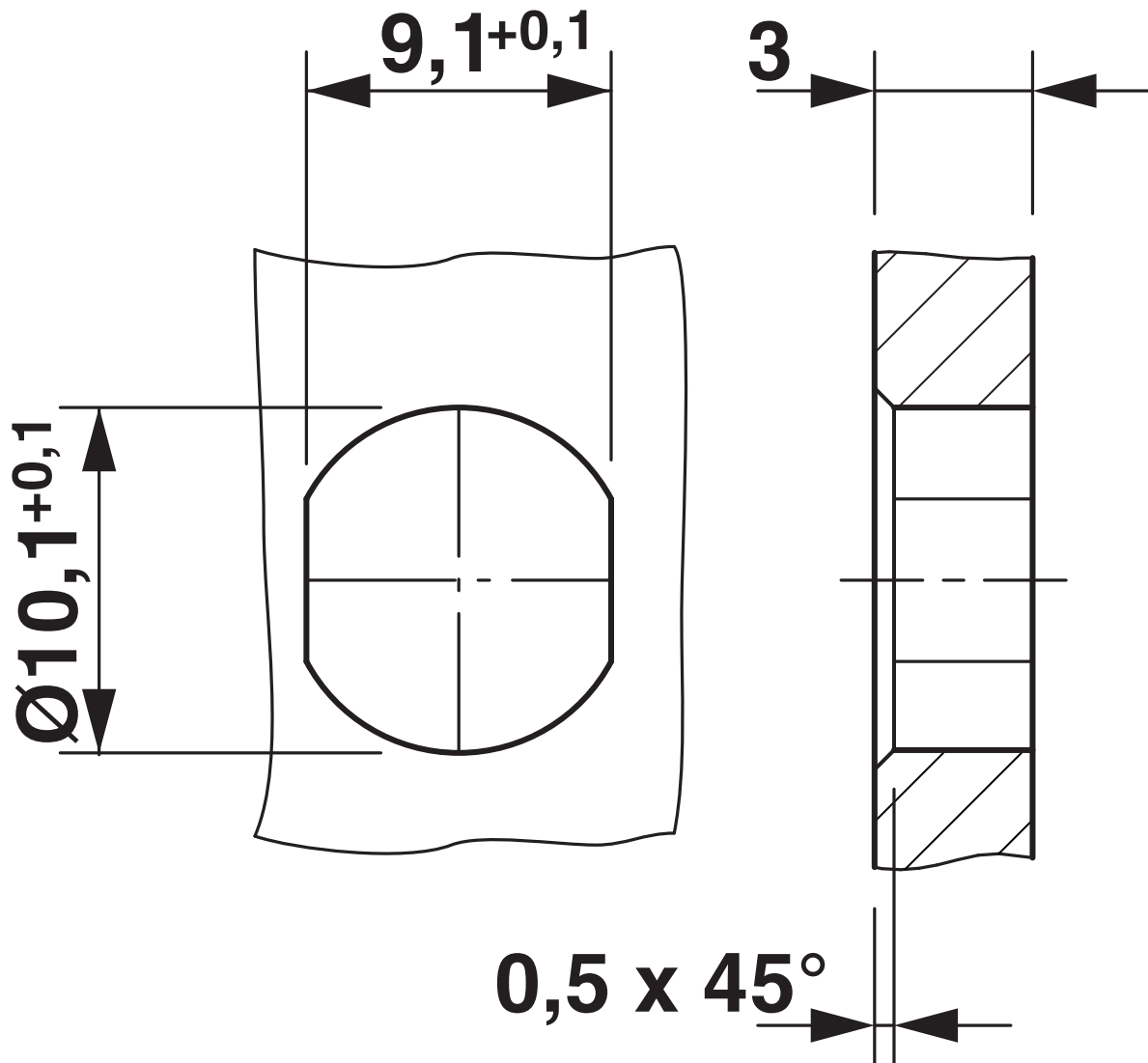
# Flush-type connector - SACC-DSI-M8FS-8CON-M10-L180 - 1424237

Drilling diagram



# Flush-type connector - SACC-DSI-M8FS-8CON-M10-L180 - 1424237

Dimensioned drawing





单击下面可查看定价，库存，交付和生命周期等信息

[>>Phoenix Contact\(菲尼克斯\)](#)