

Electronic housing - CM 75-LG/H 35/BO BK - 2942881

Please be informed that the data shown in this PDF Document is generated from our Online Catalog. Please find the complete data in the user's documentation. Our General Terms of Use for Downloads are valid (<http://phoenixcontact.com/download>)



Electronic module, for PCB insertion, with a high 35 mm covering hood

The illustration shows versions CM 50-LG/H 30/BO and CM 75-LG/H 35 BO

Product Features

- ✓ Flexible accommodation of different connection elements (from high-position connectors to electronic PCBs)
- ✓ Rugged housing technology
- ✓ Easy snap-on mounting on symmetrical DIN rails according to EN 60715
- ✓ Shock and contamination-proof accommodation of electronic components



Key commercial data

Packing unit	1 pc
Weight per Piece (excluding packing)	182.0 GRM
Custom tariff number	85369010
Country of origin	Germany

Technical data

General

Housing type	Complete housing
Housing material	Polycarbonate fiber reinforced
Color	black

Ambient conditions

Ambient temperature (operation)	-40 °C ... 125 °C
---------------------------------	-------------------

Dimensions

Length	102 mm
Constructional height	103 mm

Electronic housing - CM 75-LG/H 35/BO BK - 2942881

Technical data

Dimensions

Width	75 mm
-------	-------

Technical data

Inflammability class according to UL 94	V0
Power dissipation at 20°C in the horizontal mounting position	40.3 W 52.5 W

Classifications

eCl@ss

eCl@ss 4.0	27180401
eCl@ss 4.1	27180401
eCl@ss 5.0	27180506
eCl@ss 5.1	27180506
eCl@ss 6.0	27180802
eCl@ss 7.0	27182702
eCl@ss 8.0	27182702

ETIM

ETIM 2.0	EC001031
ETIM 3.0	EC001031
ETIM 4.0	EC001031
ETIM 5.0	EC001031

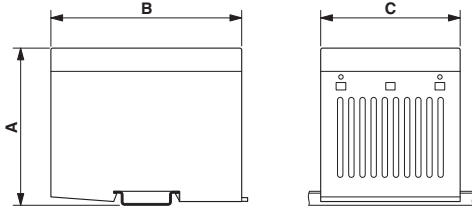
UNSPSC

UNSPSC 6.01	31261501
UNSPSC 7.0901	31261501
UNSPSC 11	31261501
UNSPSC 12.01	31261501
UNSPSC 13.2	31261501

Drawings

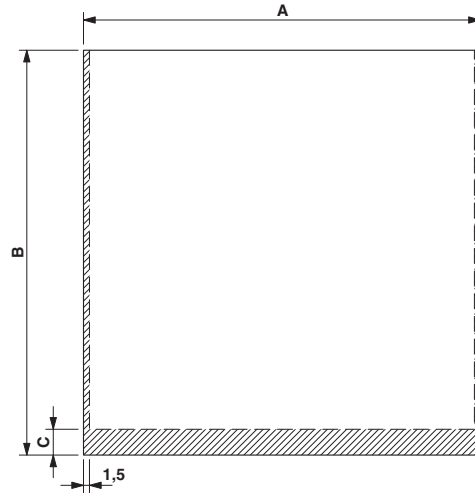
Electronic housing - CM 75-LG/H 35/BO BK - 2942881

Dimensioned drawing



Dimension A=108 mm; dimension B=102 mm; dimension C=75 mm

Dimensioned drawing



PCB 1, 7: Dimension A: 72.5 mm; B: 96.0 mm; C: 6.5 mm
PCB 8, 13: Dimension A: 100.0 mm; B: 96.0 mm; C: 6.5 mm

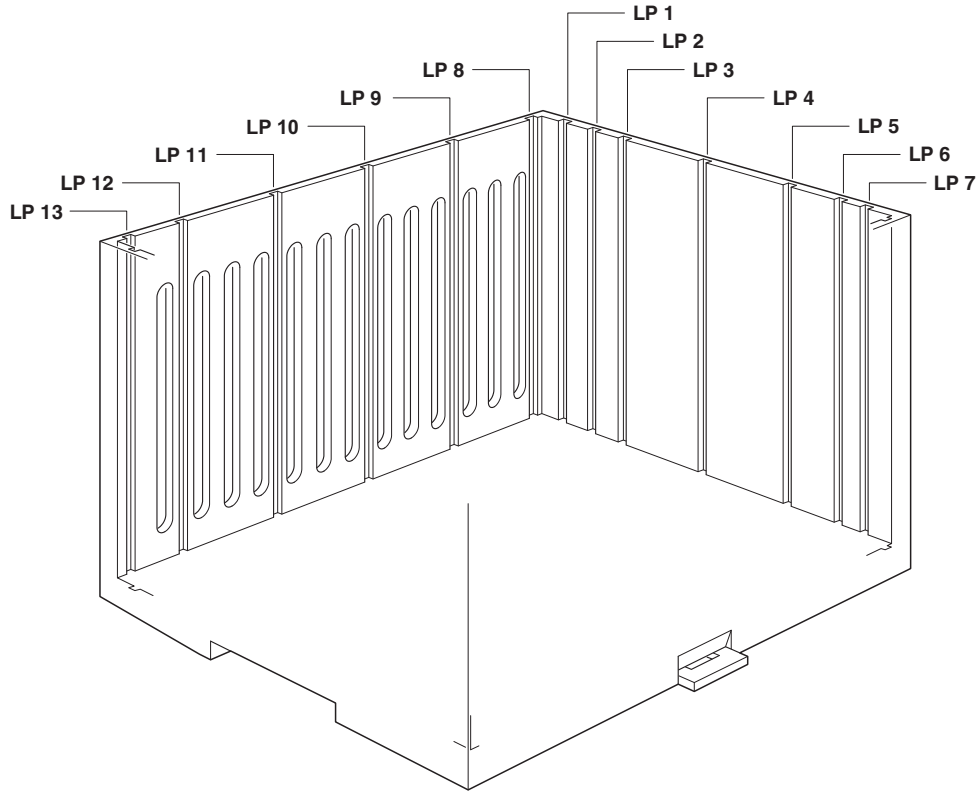
Catalog photo



Figure may contain other products.

Electronic housing - CM 75-LG/H 35/BO BK - 2942881

Schematic diagram



单击下面可查看定价，库存，交付和生命周期等信息

[>>Phoenix Contact \(菲尼克斯\)](#)