

Female insert - STG-MTN 0,5-1,0 BA - 3190629

Please be informed that the data shown in this PDF Document is generated from our Online Catalog. Please find the complete data in the user's documentation. Our General Terms of Use for Downloads are valid (<http://download.phoenixcontact.com>)

Module socket contact, inserted in the PCC or HCC plug housing after crimping the conductor, for 0.5 mm² ... 1.0 mm² conductors, ribbon contact



Key commercial data

Packing unit	1 PCE
Minimum order quantity	4000 PCE
Weight per Piece (excluding packing)	0.76 GRM
Custom tariff number	85389099
Country of origin	Czech Republic

Technical data

General

Color	silver
-------	--------

Classifications

eCl@ss

eCl@ss 4.0	27141199
eCl@ss 4.1	27141199
eCl@ss 5.0	27141145
eCl@ss 5.1	27141145
eCl@ss 6.0	27141120
eCl@ss 7.0	27141120
eCl@ss 8.0	27141120

ETIM

ETIM 2.0	EC000897
----------	----------

Female insert - STG-MTN 0,5-1,0 BA - 3190629

Classifications

ETIM

ETIM 3.0	EC000897
ETIM 4.0	EC000796
ETIM 5.0	EC000796

UNSPSC

UNSPSC 6.01	30211802
UNSPSC 7.0901	39121402
UNSPSC 11	39121402
UNSPSC 12.01	39121402
UNSPSC 13.2	39121402

Accessories

Accessories

Documentation

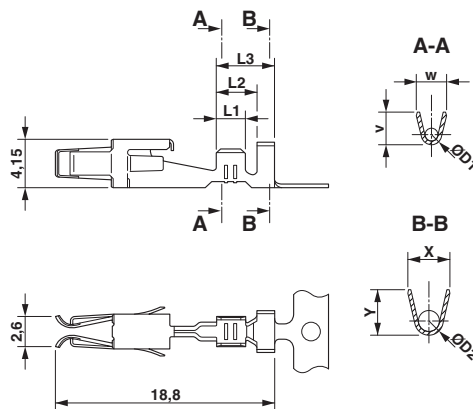
Mounting material - ST-IL - 3039900

Operating decal for the ST terminal block



Drawings

Dimensioned drawing



单击下面可查看定价，库存，交付和生命周期等信息

[>>Phoenix Contact \(菲尼克斯\)](#)