

Relay connectors - ST-REL2-KG230AC/1AU - 2826486

Please be informed that the data shown in this PDF Document is generated from our Online Catalog. Please find the complete data in the user's documentation. Our General Terms of Use for Downloads are valid (<http://phoenixcontact.com/download>)




Relay connector, equipped with miniature switching relay, contacts (AgPd60): small loads, 1 N/O contact, input voltage 230 V AC, with light indicator, can be plugged on basic termination blocks

The illustration shows version ST-REL 2-KG 24/1 AU



Key commercial data

Packing unit	1 pc
GTIN	 4 017918 077952
Weight per Piece (excluding packing)	36.83 GRM
Custom tariff number	85364900
Country of origin	Germany

Technical data

Dimensions

Width	14.6 mm
Height	33 mm
Depth	66.5 mm

Ambient conditions

Ambient temperature (operation)	-20 °C ... 50 °C
Ambient temperature (storage/transport)	-20 °C ... 70 °C

Coil side

Nominal input voltage U_N	230 V AC
Input voltage range in reference to U_N	0.8 ... 1.06
Typical input current at U_N	5 mA
Typical response time	4 ms ... 10 ms (with AC)

Relay connectors - ST-REL2-KG230AC/1AU - 2826486

Technical data

Coil side

Typical release time range	4 ms ... 10 ms (with AC)
Operating voltage display	Yes
Protective circuit	Bridge rectifier Bridge rectifier
	Surge protection Varistor

Contact side

Contact type	Double contact, 1 N/O contact
Contact material	AgPd60, hard gold-plated
Maximum switching voltage	30 V AC
	36 V DC
Maximum inrush current	0.2 A
Limiting continuous current	0.5 A
Interrupting rating (ohmic load) max.	5 W (at 24 V DC)
Note	the following values are applicable if a gold layer is destroyed
Maximum switching voltage	125 V AC
Limiting continuous current	2 A
Maximum inrush current	2 A
Interrupting rating (ohmic load) max.	29 W (at 24 V DC)
	29 W (at 48 V DC)
	29 W (at 60 V DC)
	60 VA (for 250 V AC)

General

Test voltage relay winding/relay contact	2.5 kV AC (50 Hz, 1 min.)
Operating mode	100% operating factor
Mechanical service life	Approx. 2×10^7 cycles
Standards/regulations	DIN VDE 0110b, Gr. C for 250 V DC
	IEC 60255/DIN VDE 0435 (in relevant parts)
	DIN EN 50178/DIN VDE 0160 (in relevant parts)
	EN 60730/DIN VDE 0631
	DIN VDE 0160 (in relevant parts)

Classifications

eCl@ss

eCl@ss 4.0	27371104
eCl@ss 4.1	27371104
eCl@ss 5.0	27371001

Relay connectors - ST-REL2-KG230AC/1AU - 2826486

Classifications

eCl@ss

eCl@ss 5.1	27371001
eCl@ss 6.0	27371001
eCl@ss 7.0	27371001
eCl@ss 8.0	27371001

ETIM

ETIM 2.0	EC000196
ETIM 3.0	EC000196
ETIM 4.0	EC000196
ETIM 5.0	EC000196

UNSPSC

UNSPSC 6.01	30211916
UNSPSC 7.0901	39121515
UNSPSC 11	39121515
UNSPSC 12.01	39121515
UNSPSC 13.2	39121515

Approvals

Approvals


Approvals

GOST / GOST

Ex Approvals

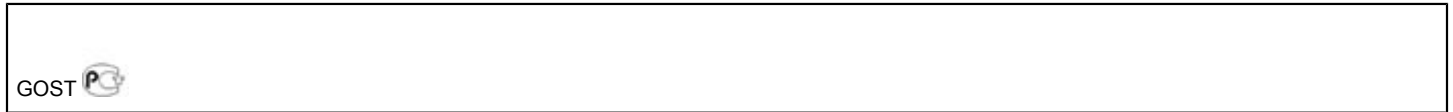
Approvals submitted

Approval details

GOST 

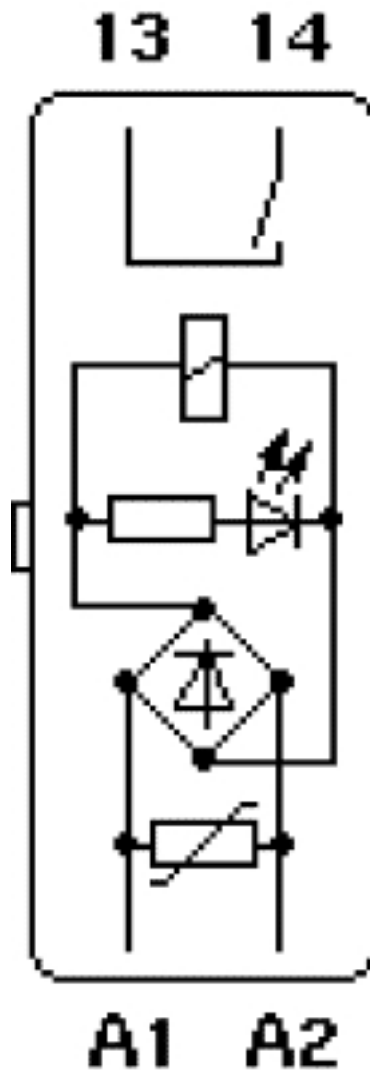
Relay connectors - ST-REL2-KG230AC/1AU - 2826486

Approvals



Drawings

Circuit diagram



单击下面可查看定价，库存，交付和生命周期等信息

[>>Phoenix Contact\(菲尼克斯\)](#)