

HC-B 16-TMSO1STM25G/M20G-EEE


Order No.: 1580498

The photo shows an output M32 straight /M20 straight

<http://eshop.phoenixcontact.de/phoenix/treeViewClick.do?UID=1580498>

HEAVYCON ADVANCE sleeve housing B16, with high-grade steel screw locking (hexagonal socket-head), salt water resistant aluminum, height 100 mm, with thread, 1xM25 straight and M20 straight cable outlet, without surface; conductive seal (EMC properties)

Commercial data

| | |
|----------------|--|
| GTIN (EAN) |  4 046356 438247 |
| sales group | D201 |
| Pack | 10 pcs. |
| Customs tariff | 85369010 |

Product notes

WEEE/RoHS-compliant since:
07/30/2008

<http://www.download.phoenixcontact.com>
Please note that the data given here has been taken from the online catalog. For comprehensive information and data, please refer to the user documentation. The General Terms and Conditions of Use apply to Internet downloads.

Technical data

General data

| | |
|--------|---|
| Note | For contact inserts HC-B16, BB32, D40, DD72, HS6, HV6, M, K |
| Design | B16 |
| Height | 100 mm |

| | |
|---------------------------------|---|
| Width | 57 mm |
| Length | 126 mm |
| Housing type | Sleeve housings |
| Locking type | Screw locking (5 mm Allen screw) |
| Torque | 3 Nm (Locking screw) |
| Fixing screws | M6 |
| Cable exit | Straight |
| Type of the screw connection | 1x M20 and 1x M25 |
| Degree of protection | IP65 / IP68 (0.2 bar, 24h) / IP69K |
| Ambient temperature (operation) | -40 °C ... 125 °C |
| Housing material | Die-cast aluminum, salt water resistant |
| Housing surface material | Uncoated |
| Seal material | NBR, conductive |
| Material lock | High-grade steel |
| Length of the assembly cutout | 86 mm |
| Width of the assembly cutout | 35 mm |
| Connection | If insulating powder coating is present on the control cabinet panel, it should be removed from the profile gasket area in order to ensure optimum shielding. |

Accessories

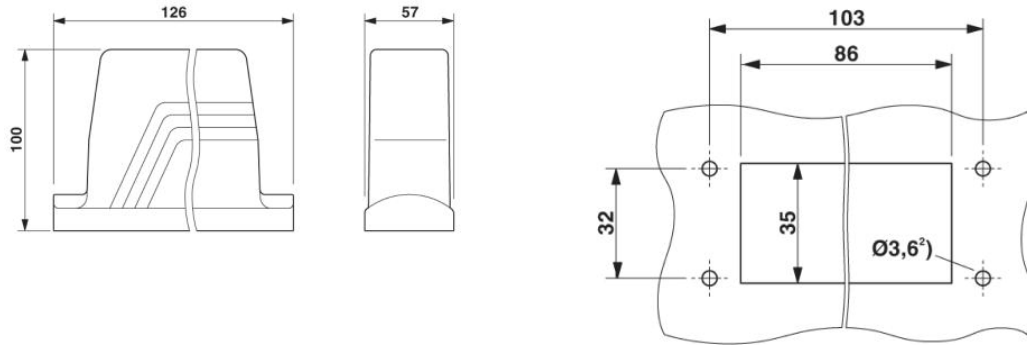
| Item | Designation | Description |
|-----------------|-------------|--|
| Assembly | | |
| 1686533 | HC-B-AF | Panel mounting flange for HEAVYCON ADVANCE sleeve housing |
| 1604638 | HC-B-AF-SET | Panel mounting flange for screw locking, set comprising 2 panel mounting flanges with 4 self-tapping Torx head screws and 4 fan-type washers |

General

| | | |
|---------|---------------------|--|
| 1690752 | HC-B 16-TMS-SD-IP50 | HEAVYCON ADVANCE IP50 protective cover B16, for panel mounting side, with clip locking, with retaining cord, diameter of retaining cord eyelet 3 mm |
| 1690794 | HC-B 16-TMS-SD-IP65 | HEAVYCON ADVANCE IP65 protective cover B16, for panel mounting side, with screw locking, with retaining cord, diameter of retaining cord eyelet 3 mm |

Diagrams/Drawings

Dimensioned drawing



Panel cutout

²⁾ When self-tapping Torx screws are used
(Torx20, M4)

Address

PHOENIX CONTACT Deutschland GmbH
Flachmarktstr. 8
32825 Blomberg, Germany
Phone +49 5235 3 12000
Fax +49 5235 3 41200
<http://www.phoenixcontact.de>



© 2010 Phoenix Contact
Technical modifications reserved;

单击下面可查看定价，库存，交付和生命周期等信息

[>>Phoenix Contact \(菲尼克斯\)](#)