

RTU READY...161408 control cabinets

Prewired 16 x 14 x 8-inch control cabinet for use with remote control and monitoring devices



Data sheet
4019_en_A

© PHOENIX CONTACT 2019-04-02

DNR 01205341-00

1 Description

The prewired 16 x 14 x 8-inch control cabinet provides a 24 V DC power supply and surge protective device for line power and antenna connections, and terminal blocks for easy connectivity. All components are mounted on standard NS 35 mounting rail.

2 Features

- Prewired cabinetry with extra terminal blocks for simple, flexible installation
- 16 x 14 x 8-inch polycarbonate cabinet
- 24 V DC power supply/UPS and external 24 V backup battery optional
- Input supply 100 to 240 V AC
- COAXTRAB surge antenna connection protection
- 283 mm (11.14 in.) of DIN rail mounting space



This document is valid for all products listed in the [“Ordering data”](#) on page 2

3 Ordering data

Products

Description	Type	Order No.	Pcs./Pkt.
Control cabinet, for RTUs. Contains circuit breaker, surge protective device, and power supply.	RTU READY 161408	1094594	1
Control cabinet, for RTUs. Contains circuit breaker, surge protective device, power supply, and battery.	RTU READY UPS 161408	1094596	1
Control cabinet, for RTUs. Contains circuit breaker, surge protective device, power supply, and battery.	RTU READY EX UPS 161408	1100665	1

Components

Description	Type	Order No.	Pcs./Pkt.
Power supply, included with 1094594 and 1094596	UNO-PS/1AC/24DC/90W/C2LPS	2902994	1
Power supply, included with 1100665	MINI-DC-UPS/24DC/2	2866640	1
Battery, included with 1094596	UNO-UPS/24DC/24DC/60W	2905907	1
Battery, included with 1100665	MINI-BAT/24DC/0.8AH	2866666	1

4 Technical data

Dimensions

Width	384 mm
Height	442 mm
Depth	221 mm
Available mounting space	283 mm

General data

Housing material	Polycarbonate
Input supply range	85 ... 264 V AC
Nominal output current	
1094594, 1094596	3.75 A
1100665	2.0 A
Ambient temperature, operating	
1094594, 1094596	-15°C ... 50°C
1100665	0°C ... 40°C

4.1 Dimensions

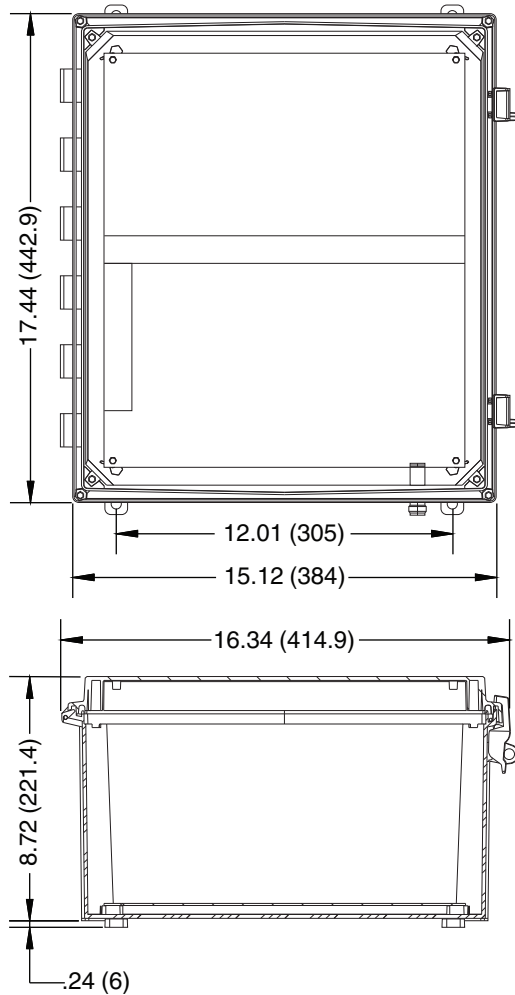


Figure 1 Overall and mounting dimensions

5 Structure

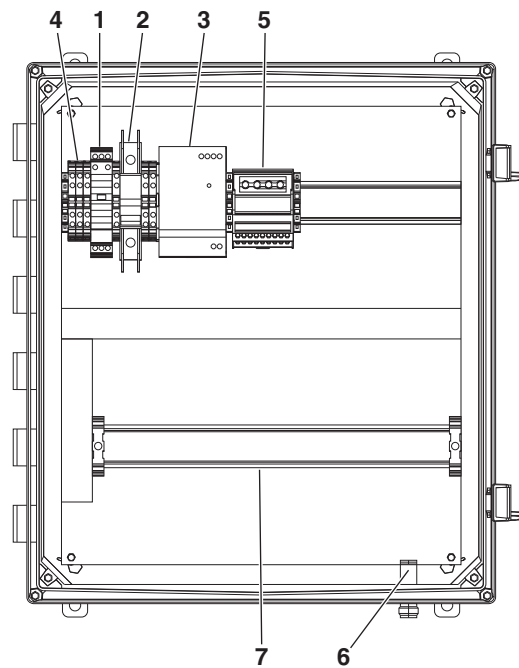


Figure 2 RTU READY 161408 components

- 1 Surge protective device
- 2 Circuit breaker
- 3 Power supply
- 4 120 V AC supply connections
- 5 24 V DC power distribution terminal block
- 6 Antenna surge protective device
- 7 DIN rail for mounting of devices

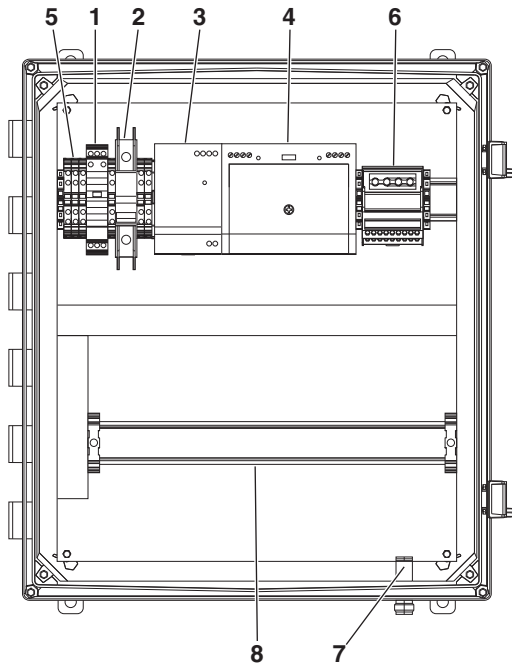


Figure 3 RTU READY UPS 161408 components

- 1 Surge protective device
- 2 Circuit breaker
- 3 Power supply
- 4 UPS battery
- 5 120 V AC supply connections
- 6 24 V DC power distribution terminal block
- 7 Antenna surge protective device
- 8 DIN rail for mounting of devices

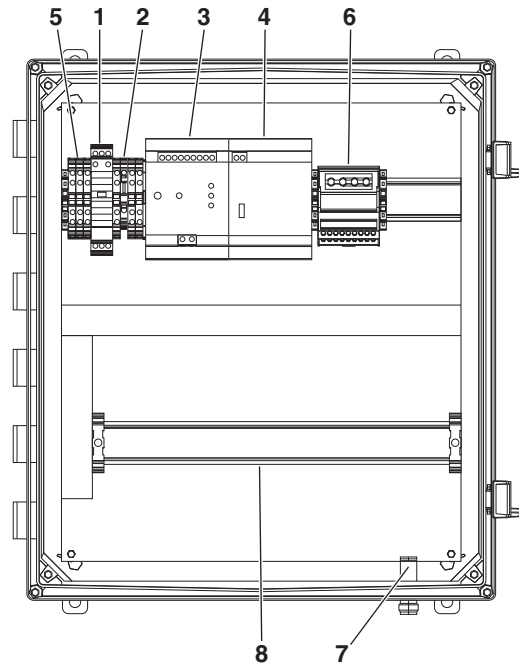


Figure 4 RTU READY EX UPS 161408 components

- 1 Surge protective device
- 2 Circuit breaker
- 3 Power supply
- 4 UPS battery
- 5 120 V AC supply connections
- 6 24 V DC power distribution terminal block
- 7 Antenna surge protective device
- 8 DIN rail for mounting of devices

6 Installation



NOTE:

The mounting surface must be flat and free of vibration.

1. Drill holes in the mounting surface according to [Figure 1 on page 3](#).
2. Secure the RTU READY...161408 enclosure using appropriate hardware for the mounting surface.
3. Install desired devices on the lower DIN rail.
4. Connect devices to the 24 V DC power distribution terminal block.
5. Connect 120 V AC line voltage.

单击下面可查看定价，库存，交付和生命周期等信息

[>>Phoenix Contact\(菲尼克斯\)](#)