

Panel feed-through - Q 0,75/3A50/9-9KU-ESA - 1640980

Please be informed that the data shown in this PDF Document is generated from our Online Catalog. Please find the complete data in the user's documentation. Our General Terms of Use for Downloads are valid (<http://download.phoenixcontact.com>)

QUICKON panel feed-through, for the front wall assembly with 50 cm long wires, 3-pos.



The illustration shows a 2-position version



Key commercial data

Packing unit	1 pc
Weight per Piece (excluding packing)	33.9 GRM
Custom tariff number	85444290
Country of origin	Poland

Technical data

General

Connection	If the conductor is reconnected, it must be cut off above the last contact point. QUICKON components may only be operated when under no load.
Length of cable	0.5 m
Color	green
Connection method	QUICKON connection
	Individual wires
Number of positions	3
Wrench size, union nut	19 mm
Tightening torque, union nut	2.5 Nm
Wrench size, contact carrier	19 mm
Tightening torque contact carrier	3.75 Nm
Tightening torque, counter nut	3.75 Nm
Number of connections	3
Conductor cross section stranded min.	0.34 mm ²
Conductor cross section stranded max.	0.75 mm ²

Panel feed-through - Q 0,75/3A50/9-9KU-ESA - 1640980

Technical data

General

Conductor cross section AWG/kcmil min.	22
Conductor cross section AWG/kcmil max	18

Conductor

Structure of individual litz in acc. with VDE 0295 / smallest wire diameter	Class 2-6 // 0.34 mm ² : 0.1 mm; 0.5 - 0.75 mm ² : 0.15 mm
Wire insulation material	PVC/PE
Wire diameter including insulation	2.5 mm
Conductor cross section	0.75 mm ² (Pos. 1: Brown; pos. 2: White; pos. 3: Blue)

Ambient conditions

Degree of protection	IP65
	IP67
Ambient temperature (operation)	-25 °C ... 80 °C (Specifications of the cable manufacturer must be observed.)
	-25 °C ... 50 °C (when the conductor is connected. Specifications of the cable manufacturer must also be observed.)

Electrical characteristics

Nominal current I _N	9 A
Rated voltage (III/3)	160 V
Note on the rated voltage (III/3)	with insulating sleeve
Rated voltage (III/2)	160 V
Note on the rated voltage (III/2)	with insulating sleeve
Rated voltage (II/2)	320 V
Note on the rated voltage (II/2)	with insulating sleeve

Mechanical characteristics

QUICKON connectability	10 (if the conductor is connected more than once, seal and cap may need to be replaced.)
PC QUICKON thread type	Pg9
Impact category	3

Material data

Contact material	Cu alloy
Contact surface material	Pre-nickel plated and tin-plated
Contact carrier material	PA
Inflammability class according to UL 94	V0

Panel feed-through - Q 0,75/3A50/9-9KU-ESA - 1640980

Classifications

eCl@ss

eCl@ss 4.0	27140815
eCl@ss 4.1	27140815
eCl@ss 5.0	27143423
eCl@ss 5.1	27143423
eCl@ss 6.0	27143423
eCl@ss 7.0	27449001
eCl@ss 8.0	27449001

ETIM

ETIM 2.0	EC001297
ETIM 3.0	EC000516
ETIM 4.0	EC000516
ETIM 5.0	EC000516

UNSPSC

UNSPSC 6.01	30211923
UNSPSC 7.0901	39121522
UNSPSC 11	39121522
UNSPSC 12.01	39121522
UNSPSC 13.2	39121522

Approvals

Approvals

Approvals

UL Recognized / cUL Recognized / GOST / cULus Recognized

Ex Approvals

Approvals submitted

Approval details

Panel feed-through - Q 0,75/3A50/9-9KU-ESA - 1640980

Approvals

UL Recognized	
Nominal current IN	9 A
Nominal voltage UN	250 V

cUL Recognized	
Nominal current IN	6 A
Nominal voltage UN	250 V

GOST	
------	--

cULus Recognized	
------------------	--

Accessories

Accessories

Flat nut

Mounting material - Q-MU PG 9 - 1670882



Nut (plastic) to lock the contact carrier Pg9 / 30 WAF

Insulating sleeve

Panel feed-through - Q 0,75/3A50/9-9KU-ESA - 1640980

Accessories

Insulating sleeve - PT/FS 2,8 - 1406700



Insulating sleeve, as touch protection, slide onto the conductor before for 2.8 slip-on sleeves

Mounting material

Mounting material - Q SET- 9 DI/KR - 1640362



Seal/Collar replacement set Pg9

Protective cap

Filler plugs - Q-PROT 9/11 - 1670235



Closing cap for Pg9/Pg11 to close unoccupied connections

Socket spanner

Socket wrench - QSS 19 - 1670895

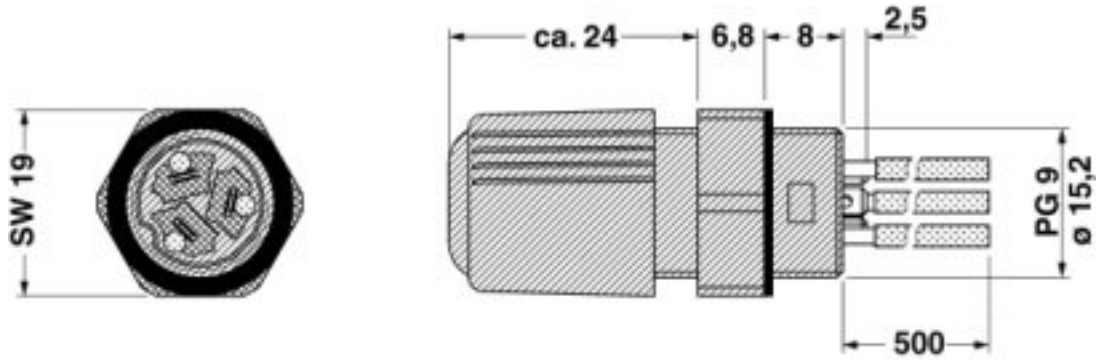


Socket wrench, for tightening and unscrewing the QUICKON union nut, wrench size 19 mm

Drawings

Panel feed-through - Q 0,75/3A50/9-9KU-ESA - 1640980

Dimensioned drawing



单击下面可查看定价，库存，交付和生命周期等信息

[>>Phoenix Contact\(菲尼克斯\)](#)