

## Rear panel feed-through - RC-0000000Q0FZ - 1592924


Please be informed that the data shown in this PDF Document is generated from our Online Catalog. Please find the complete data in the user's documentation. Our General Terms of Use for Downloads are valid (<http://download.phoenixcontact.com>)



Rear panel feed-through, straight, Screw locking, M23, Axial O-ring, 4xM2.5, Shielded: Yes, Panel thickness max.: 6.5 mm, Cable cross section: 2 mm...10.5 mm



### Key commercial data

Packing unit	1 PCE
GTIN	 4 046356 193443
Custom tariff number	85366990
Country of origin	GERMANY

### Technical data

#### Technical data

Note	Order information Order contact inserts and cable clamping/shield accessories separately
Ambient temperature	-20 °C ... 125 °C
Type of locking	Screw locking
Degree of protection	IP67
Contact connection method	Crimp connection
Type of contacts	Socket
Conductor entry	2 mm ... 10.5 mm
Mounting type	4xM2.5

#### Material data

Housing material	Turned parts: copper zinc alloy (CuZn), die-cast parts: zinc (GD-Zn)
Gasket and O-ring material	FPM

Specifications according to DIN EN 61984:2001

# Rear panel feed-through - RC-0000000Q0FZ - 1592924

## Technical data

Specifications according to DIN EN 61984:2001

Installation height max.	2000 m
--------------------------	--------

## Classifications

### ETIM

ETIM 3.0	EC001121
ETIM 4.0	EC001121
ETIM 5.0	EC001121

### UNSPSC

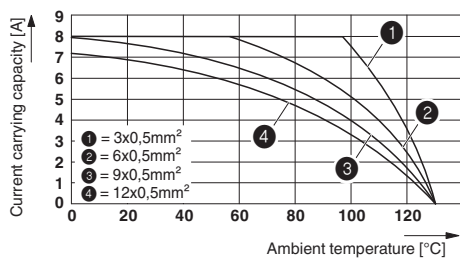
UNSPSC 11	43172015
UNSPSC 12.01	43201404
UNSPSC 13.2	43201404
UNSPSC 6.01	43172015
UNSPSC 7.0901	43201404

### eCl@ss

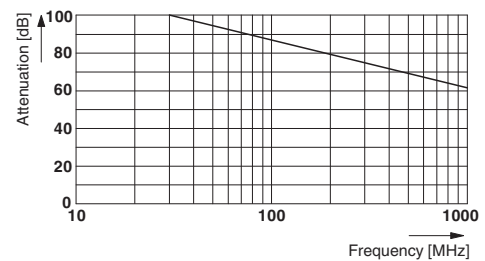
eCl@ss 4.0	272607xx
eCl@ss 4.1	27260701
eCl@ss 5.0	27260701
eCl@ss 5.1	27260701
eCl@ss 6.0	27260708
eCl@ss 7.0	27440312

## Drawings

Diagram

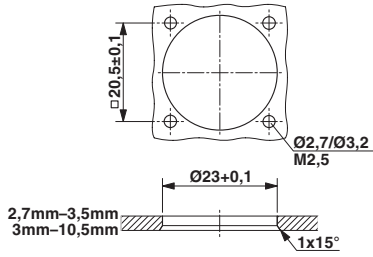


Diagram

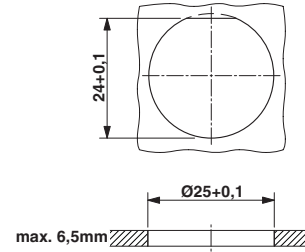


# Rear panel feed-through - RC-0000000Q0FZ - 1592924

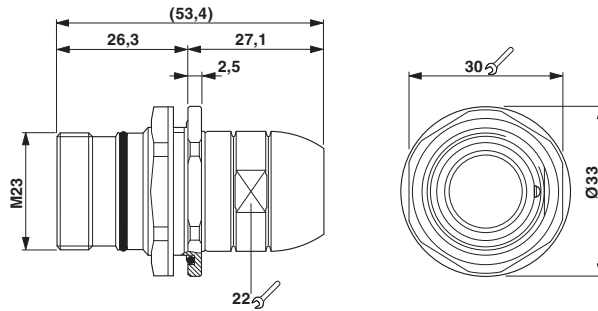
Dimensioned drawing



Dimensioned drawing



Dimensioned drawing



单击下面可查看定价，库存，交付和生命周期等信息

[>>Phoenix Contact \(菲尼克斯\)](#)