

EMG ...-DIO .../LP

Lamp testing modules

INTERFACE

Data sheet
101174_en_01

© PHOENIX CONTACT - 11/2009



1 Description

Lamp test circuits, which decouple signals in isolation, should be implemented using two module versions:

- The diodes are connected in pairs and can be freely wired to the anode
- The anode of each diode pair is connected to a common connection point

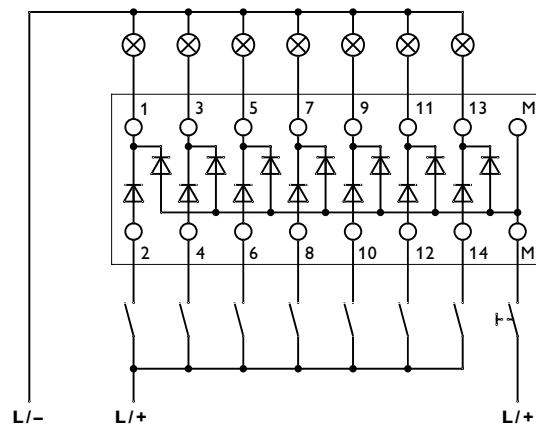


Figure 1 Lamp test circuit (EMG 45-DIO14M/LP)



NOTE:

Please note that there is no isolation between the individual diode paths within a module.



Make sure you always use the latest documentation.
It can be downloaded at www.phoenixcontact.net/download.



This data sheet is valid for all products listed on the following page:

2 Ordering data

Lamp testing modules

Description	Housing width	Type	Order No.	Pcs./Pkt.
Lamp testing modules, 2 diodes each with common cathode:				
4-pair version, for individual wiring	45 mm	EMG 45-DIO 8E/LP	2954798	5
7-pair version, with common control	45 mm	EMG 45-DIO14M/LP	2950132	5
8-pair version, for individual wiring	90 mm	EMG 90-DIO 16E/LP	2954808	5
16-pair version, with common control	90 mm	EMG 90-DIO 32M/LP	2954785	5

Accessories

Description	Type	Order No.	Pcs./Pkt.
Device marking label	EMG-GKS 12	2947035	50

3 Technical data

General data

Ambient temperature range	-20°C ... +50°C
Rated insulation voltage according to EN 50178	300 V
Pollution degree according to EN 50178	2
Surge voltage category according to EN 50178	3, basic insulation
Mounting position	Any
Installation	Can be aligned without spacing
Height	55 mm
Length	75 mm

Connection data

Conductor cross-section, solid	0.2 mm ² ... 4 mm ²
Conductor cross-section, stranded	0.2 mm ² ... 2.5 mm ²
Conductor cross-section, AWG	24 - 12
Stripping length	8 mm
Connection method	Screw connection

Diode data

	EMG 45-DIO 8E/LP, EMG 90-DIO 16E/LP	EMG 45-DIO14M/LP, EMG 90-DIO 32M/LP
Maximum operating voltage U _{max}	250 V AC	250 V AC
Peak reverse voltage per diode	1300 V	1300 V
Reverse current per diode	≤ 5 μA	≤ 5 μA
Conducting-state voltage per diode	0.8 V, approximately	0.8 V, approximately
Conducting-state current per diode		
With single load	0.7 A	0.7 A
With simultaneous load	0.4 A	0.2 A

Conformance/approvals

Conformance	CE-compliant
-------------	--------------

Conformance with Low Voltage Directive (LVD) 2006/95/EC

Electronic equipment according to	EN 50178
-----------------------------------	----------

4 Circuit diagram

4.1 Lamp testing module, can be wired individually

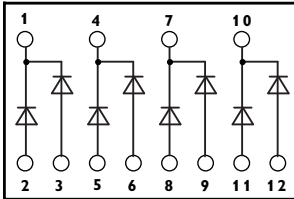


Figure 2 EMG 45-DIO 8E/LP

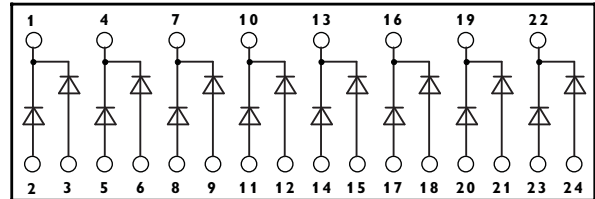


Figure 3 EMG 90-DIO 16E/LP

4.2 Lamp testing module, negative polarity

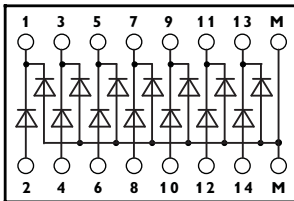


Figure 4 EMG 45-DIO14M/LP

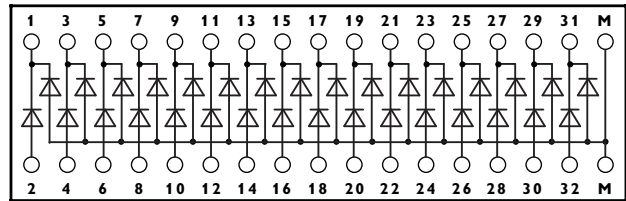


Figure 5 EMG 90-DIO 32M/LP

单击下面可查看定价，库存，交付和生命周期等信息

[>>Phoenix Contact\(菲尼克斯\)](#)