

Fiber optic - HS LC-V-D3/ R2XC1-5,08 - 2202311

Please be informed that the data shown in this PDF Document is generated from our Online Catalog. Please find the complete data in the user's documentation. Our General Terms of Use for Downloads are valid (<http://phoenixcontact.com/download>)



Light guides, passive, rigid, can be used for the BC housing range (housing must be processed)

Your advantages

- Light guides are perfectly matched to electronics housings
- Easy mounting on the PCB using press pins
- Resistance to ESD
- Housing processing available on request
- Enables simple visual status and diagnostic indicators



Key Commercial Data

Packing unit	200 pc
Minimum order quantity	200 pc
GTIN	
GTIN	4055626049922

Technical data

Product properties

Brief article description	Fiber optic
Type	HS LC-V-D3/ R2XC1-5,08
Item no.	2202311
Type	passive, rigid
Alignment	Vertical
Number of displays	2 (2 rows x 1 column)
ESD protection	< 12 kV
Head form	Round, planar

Dimensions

Fiber optic - HS LC-V-D3/ R2XC1-5,08 - 2202311

Technical data

Dimensions

Caption	Details on positioning inside the electronics housing can be found in the download area under "Design-In"
Pitch	5.08 mm
Diameter	3 mm
Hole diameter	2.4 mm

Material specifications

Light guide material	PC
Light guide color	transparent

Ambient conditions

Ambient temperature (operation)	-40 °C ... 85 °C
---------------------------------	------------------

General information

Type of note	Assembly instruction:
Note	Refer to the data sheet for the range in the download area.

Packaging details

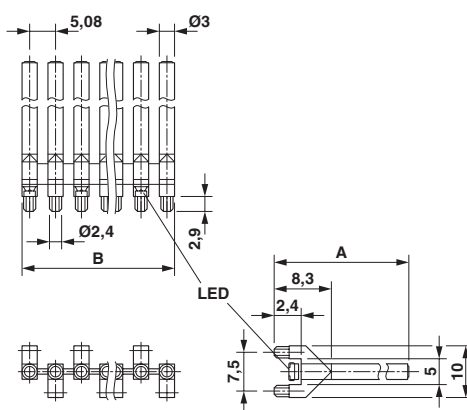
Pieces per package	200
Denomination packing units	Pcs.

Environmental Product Compliance

China RoHS	Environmentally friendly use period: unlimited = EFUP-e
	No hazardous substances above threshold values

Drawings

Dimensional drawing



Details on positioning inside the electronics housing can be found in the download area under "Design-In"

Fiber optic - HS LC-V-D3/ R2XC1-5,08 - 2202311

Classifications

eCl@ss

eCl@ss 10.0.1	27182702
eCl@ss 11.0	27182702
eCl@ss 5.0	27180500
eCl@ss 5.1	27180500
eCl@ss 6.0	27180800
eCl@ss 7.0	27182702
eCl@ss 9.0	27182702

ETIM

ETIM 6.0	EC001031
ETIM 7.0	EC001031

UNSPSC

UNSPSC 13.2	31261501
UNSPSC 18.0	31261501
UNSPSC 19.0	31261501
UNSPSC 20.0	31261501
UNSPSC 21.0	31261500

Approvals

Approvals

Approvals

EAC

Ex Approvals

Approval details

EAC		B.01687
-----	---	---------

Phoenix Contact 2022 © - all rights reserved
<http://www.phoenixcontact.com>

PHOENIX CONTACT GmbH & Co. KG
Flachsmarktstr. 8
32825 Blomberg
Germany
Tel. +49 5235 300
Fax +49 5235 3 41200
<http://www.phoenixcontact.com>

单击下面可查看定价，库存，交付和生命周期等信息

[>>Phoenix Contact\(菲尼克斯\)](#)