

## Power terminal block - AK 16 - 0404033

Please be informed that the data shown in this PDF Document is generated from our Online Catalog. Please find the complete data in the user's documentation. Our General Terms of Use for Downloads are valid (<http://download.phoenixcontact.com>)




Power terminal block, Connection method Screw connection, Load current : 76 A, Cross section: 1.5 mm<sup>2</sup> - 16 mm<sup>2</sup>, Width: 9.8 mm, Color: silver

### Product description

Power terminal block, Connection method Screw connection, Load current : 76 A, Cross section: 1.5 mm<sup>2</sup> - 16 mm<sup>2</sup>, Width: 9.8 mm, Color: silver



### Key commercial data

Packing unit	1
Minimum order quantity	50
Catalog page	Page 499 (CL1-2011)
GTIN	 4 017918 001858
Weight per piece (including packing)	0.0 GRM
Weight per Piece (excluding packing)	9.51 GRM
Country of origin	CHINA

### Technical data

#### General

Color	silver
Insulating material	PA
Inflammability class according to UL 94	V2

#### Dimensions

Length	23.5 mm
Width	9.8 mm

#### Technical data

Maximum load current	76 A (with 16 mm <sup>2</sup> conductor cross section)
Nominal current I <sub>N</sub>	76 A

#### Connection data

Conductor cross section solid min.	1.5 mm <sup>2</sup>
Conductor cross section solid max.	16 mm <sup>2</sup>

# Power terminal block - AK 16 - 0404033

## Technical data

### Connection data

Conductor cross section stranded min.	1.5 mm <sup>2</sup>
Conductor cross section stranded max.	16 mm <sup>2</sup>
Conductor cross section AWG/kcmil min.	16
Conductor cross section AWG/kcmil max	6
Conductor cross section stranded, with ferrule without plastic sleeve min.	1.5 mm <sup>2</sup>
Conductor cross section stranded, with ferrule without plastic sleeve max.	16 mm <sup>2</sup>
Conductor cross section stranded, with ferrule with plastic sleeve min.	1.5 mm <sup>2</sup>
Conductor cross section stranded, with ferrule with plastic sleeve max.	16 mm <sup>2</sup>
2 conductors with same cross section, solid min.	1.5 mm <sup>2</sup>
2 conductors with same cross section, solid max.	6 mm <sup>2</sup>
2 conductors with same cross section, stranded min.	1.5 mm <sup>2</sup>
2 conductors with same cross section, stranded max.	6 mm <sup>2</sup>
2 conductors with same cross section, stranded, ferrules without plastic sleeve, min.	1.5 mm <sup>2</sup>
2 conductors with same cross section, stranded, ferrules without plastic sleeve, max.	6 mm <sup>2</sup>
2 conductors with same cross section, stranded, TWIN ferrules with plastic sleeve, min.	1.5 mm <sup>2</sup>
2 conductors with same cross section, stranded, TWIN ferrules with plastic sleeve, max.	10 mm <sup>2</sup>
Connection method	Screw connection
Stripping length	16 mm
Screw thread	M5
Tightening torque, min	2.5 Nm
Tightening torque max	3 Nm

## Classifications

### eClass

eClass 4.0	27141131
eClass 4.1	27141131
eClass 5.0	27141131
eClass 5.1	27141131
eClass 6.0	27141120

### etim

ETIM 2.0	EC000897
ETIM 3.0	EC000897
ETIM 4.0	EC000897

# Power terminal block - AK 16 - 0404033

## Classifications

unspsc

UNSPSC 6.01	30211811
UNSPSC 7.0901	39121410
UNSPSC 11	39121410
UNSPSC 12.01	39121410
UNSPSC 13.2	39121410

## Approvals

### Certificates

Certification

GOST / GOST

Certification EX

Certification submitted

### Approval details

GOST

GOST

## Accessories

Accessories

Assembly

Support - UAB 1 - 3032431

Support, Width: 2 mm, Color: blue



## Power terminal block - AK 16 - 0404033

### Accessories

#### Support - ABN 2/SS - 0404460

Double support, insulating material, optionally for use with 3 x 10 mm or 6 x 6 mm busbar, height in closed state: 39 mm



#### Support - AB2/SS - 0404431

Double support, insulating material, optionally for use with 3 mm x 10 mm or 6 mm x 6 mm busbar, height: 48 mm



#### Support - AB/SS - 0404428

Support made of insulating material, with retaining screw, for use with either 3 x 10 mm or 6 x 6 mm busbar, color: gray



#### Neutral busbar - NLS-CU 3/10 SN 1000MM - 0402174

PEN conductor busbar, 3mm x 10 mm, length: 1000 mm



### Marking

#### Zack marker strip - ZB 6:UNBEDRUCKT - 1051003

Zack marker strip, Strip, white, Unlabeled, Can be labeled with: Plotter, Mounting type: Snap into tall marker groove, For term



### Tools

## Power terminal block - AK 16 - 0404033

### Accessories

Screwdriver - SZS 1,0X4,0 VDE - 1205066

Screwdriver, bladed, VDE insulated, size: 1.0 x 4.0 x 100 mm, 2-component grip, with non-slip grip



---

Screwdriver - SZS 1,0X6,5 VDE - 1205079

Screwdriver, bladed, VDE insulated, size: 1.0 x 6.5 x 150 mm, 2-component grip, with non-slip grip

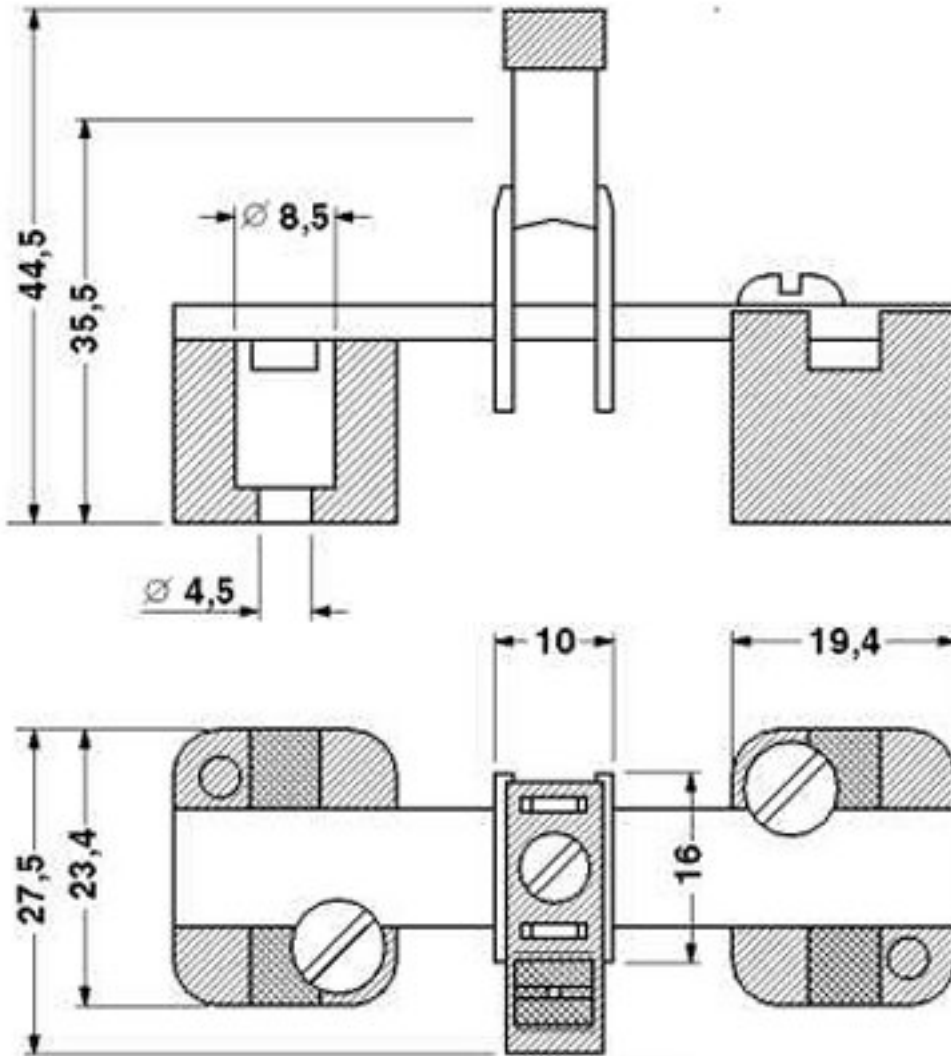


---

### Drawings

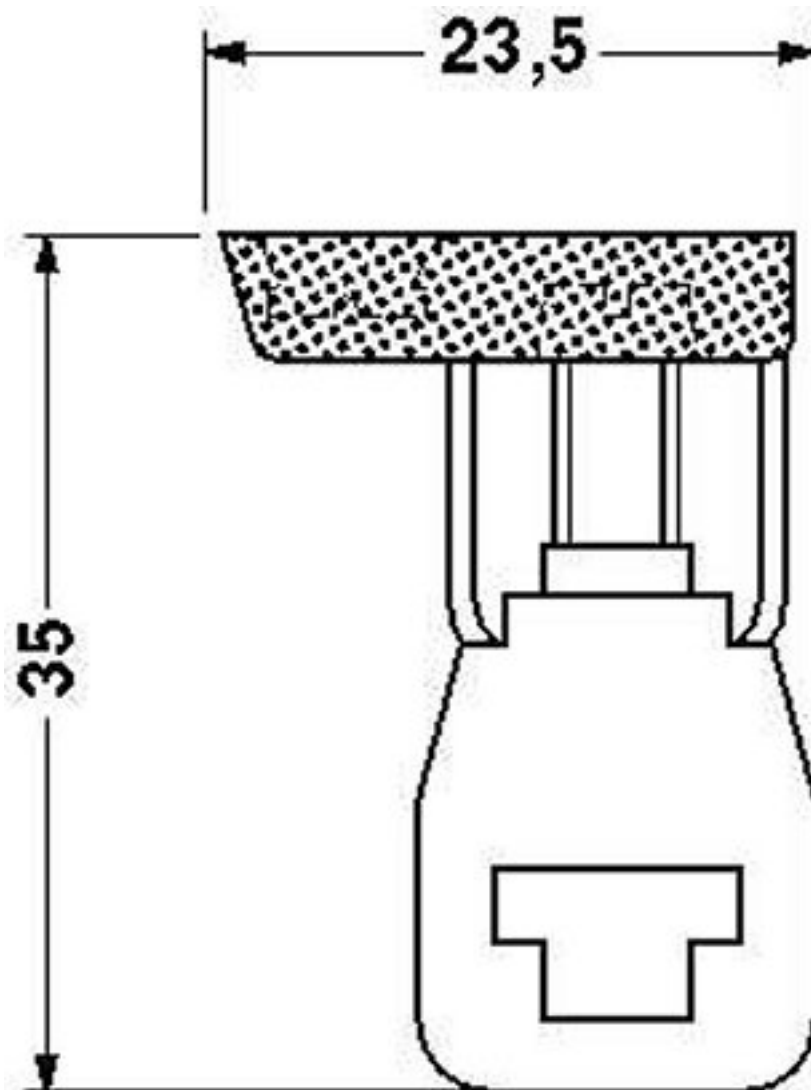
# Power terminal block - AK 16 - 0404033

Dimensioned drawing



## Power terminal block - AK 16 - 0404033

Dimensioned drawing



© Phoenix Contact 2012 - all rights reserved  
<http://www.phoenixcontact.com>

单击下面可查看定价，库存，交付和生命周期等信息

[>>Phoenix Contact\(菲尼克斯\)](#)